



<b>PARTIAL FROST FREE REFRIGERATOR</b> Owner's Manual.....	1 - 10
<b>RÉFRIGÉRATEUR SANS GIVRE PARTIEL</b> Manuel du propriétaire.....	11 - 20
<b>REFRIGERADOR LIBRE DE ESCARCHA PARCIAL</b> Manual del propietario.....	21 - 30

<b>MODEL * MODÈLE * MODELO</b>
DPF074B2WDB-6
DPF074B2BSLDB-6

# Welcome to the Danby family.

We are proud of our quality products and we believe in dependable service. We suggest that you read this owner's manual before plugging in your new appliance as it contains important operation information, safety information, troubleshooting, and maintenance tips to ensure the reliability and longevity of your appliance.

You are entitled to the warranty coverage as described in the owner's manual provided with your new appliance.

1. Please write down your appliance information below. **You must keep the original proof of purchase receipt to validate and receive warranty services.**
2. Register your product online and receive a **FREE 2 MONTH WARRANTY EXTENSION** after filling out a product survey, at [www.danby.com/support/product-registration/](http://www.danby.com/support/product-registration/)

**Model Number:** \_\_\_\_\_

**Serial Number:** \_\_\_\_\_

**Date of Purchase:** \_\_\_\_\_

## Need Help?

1. Read your Owner's Manual for installation help, troubleshooting, and maintenance assistance.
2. Visit [www.Danby.com](http://www.Danby.com) to access self-service tools, FAQs and much more by searching your model number in the search bar.
3. For the **Quickest Customer Service**, please fill out the web form at [www.danby.com/support](http://www.danby.com/support). Your submission will go directly to an expert on your particular appliance. Our average response times are between 20 minutes and 2 hours, during EST business hours.
4. Call **1-800-263-2629** - please note that during peak hours, hold times can exceed one hour.



## Important Safety Information

### READ AND FOLLOW ALL SAFETY INSTRUCTIONS

#### SAFETY REQUIREMENTS

**DANGER:** Risk of fire or explosion. Flammable refrigerant used. Do not puncture refrigerant tubing.

- Do not use mechanical devices to defrost refrigerator.
- Ensure that servicing is done by factory authorized service personnel, to minimize product damage or safety issues.
- If the power supply cord is damaged, it must be replaced by the manufacturer, its service agent or similar qualified person in order to avoid hazard.
- Consult repair manual or owner's guide before attempting to service this product. All safety precautions must be followed.
- Dispose of properly in accordance with federal or local regulations.
- Follow handling instructions carefully.
- Do not store explosive substances such as aerosol cans with a flammable propellant in this appliance.

**WARNING:** Keep ventilation openings, in the appliance enclosure or in the built-in structure, clear of obstruction.

**WARNING:** Do not use mechanical devices or other means to accelerate the defrosting process, other than those recommended by the manufacturer.

**WARNING:** Do not damage the refrigerant circuit.

**WARNING:** Do not use electrical appliances inside the food storage compartments of the appliance, unless they are of the type recommended by the manufacturer.

**CAUTION:** Children should be supervised to ensure that they do not play with the appliance.

**DANGER:** Risk of child entrapment. Before throwing away an old appliance:

- Remove the door or lid.
- Leave shelves in place so that children may not easily climb inside.

**DANGER:** Do not add a lock to the door or lid. This can cause child entrapment and harm.

#### SAFETY REQUIREMENTS

This appliance is not intended for use by persons (including children) whose physical, sensory or mental capabilities may be different or reduced, or who lack experience or knowledge, unless such persons receive supervision or training to operate the appliance by a person responsible for their safety.

This appliance is intended to be used in household and similar applications such as:

- Staff kitchen areas in shops, offices and other working environments;
- Farm houses and by clients in hotels, motels and other residential type environments;
- Bed and breakfast type environments;
- Catering and similar non-retail applications.

#### GROUNDING INSTRUCTIONS

This appliance must be grounded. Grounding reduces the risk of electrical shock by providing an escape wire for the electrical current.

This appliance has a cord that has a grounding wire with a 3-prong plug. The power cord must be plugged into an outlet that is properly grounded. If the outlet is a 2-prong wall outlet, it must be replaced with a properly grounded 3-prong wall outlet. The serial rating plate indicates the voltage and frequency the appliance is designed for.

**WARNING** - Improper use of the grounding plug can result in a risk of electric shock. Consult a qualified electrician or service agent if the grounding instructions are not completely understood, or if doubt exists as to whether the appliance is properly grounded.

**Do not connect your appliance to extension cords or together with another appliance in the same wall outlet.** Do not splice the power cord. Do not under any circumstances cut or remove the third ground prong from the power cord. Do not use extension cords or ungrounded (two prongs) adapters.

**SAVE THESE INSTRUCTIONS!**

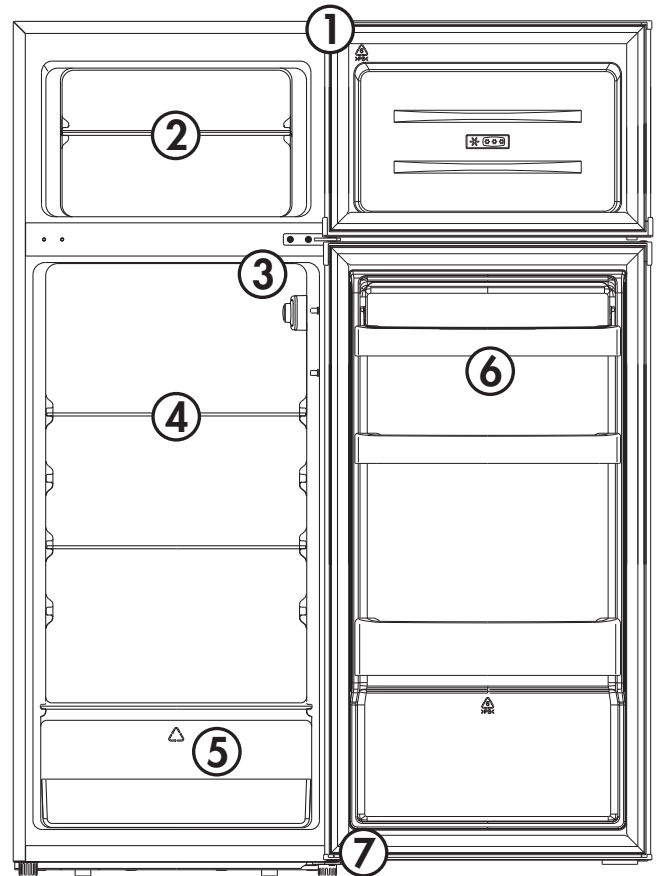
# OPERATING INSTRUCTIONS

## LOCATION

- Two people should be used when moving the appliance.
- Remove interior and exterior packaging prior to installation. Wipe the outside of the appliance with a soft, dry cloth and the inside with a lukewarm wet cloth.
- Place the appliance on a floor that is strong enough to support it when it is fully loaded.
- Do not place the appliance in direct sunlight or near sources of heat, such as a stove or heater, as this can increase electrical consumption. Extreme cold ambient temperatures may also cause the appliance to perform improperly.
- Do not use the appliance near water, for example in a wet basement or near a sink.
- This appliance is intended for household use only. It is not designed for outside installation, including anywhere that is not temperature controlled (garages, porches, vehicles, etc.).
- Before connecting the appliance to a power source, let it stand upright for approximately 6 hours. This will reduce the possibility of a malfunction in the cooling system from handling during transportation.
- This appliance is 55.4 cm (21.8 inches) wide by 143 cm (56.3 inches) high by 55.5 cm (21.9 inches) deep.
- Allow 5 cm (2 inches) of space between the back, sides and top of the appliance and all adjacent walls.
- This appliance is intended for free-standing installation only and is not intended to be built into a cabinet or counter. Building in this appliance can cause it to malfunction.

## FEATURES

1. Magnetic gasket
2. Freezer shelf
3. Temperature control and interior light
4. Refrigerator shelves
5. Refrigerator door shelves
6. Crisper
7. Leveling legs

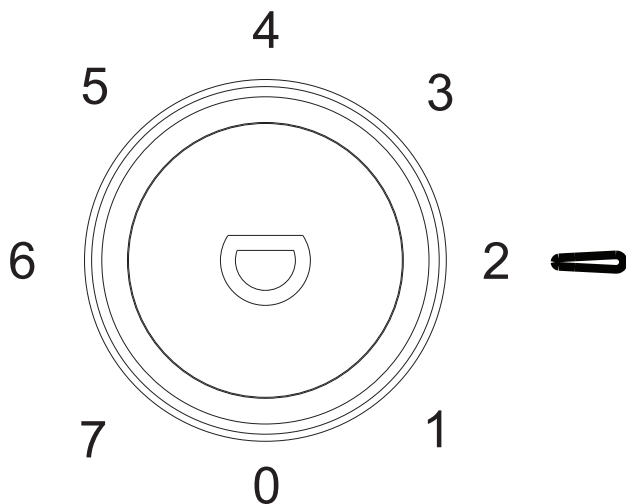


# OPERATING INSTRUCTIONS

## TEMPERATURE CONTROL

The refrigerator control panel is located on the side of the refrigerator compartment.

- Lower numbers indicate warmer temperature settings.
- Higher numbers indicate colder temperature settings.
- When set to 0, the compressor will turn off.
- When set to 7, the compressor will run continuously.
- The recommended setting for regular daily use is 4.
- If the ambient temperature is higher than 38°C (100°F) the recommended setting is 2 - 4.
- If the ambient temperature is lower than 16°C (60°F) the recommended setting is 4 - 6.



## INTERIOR LIGHT

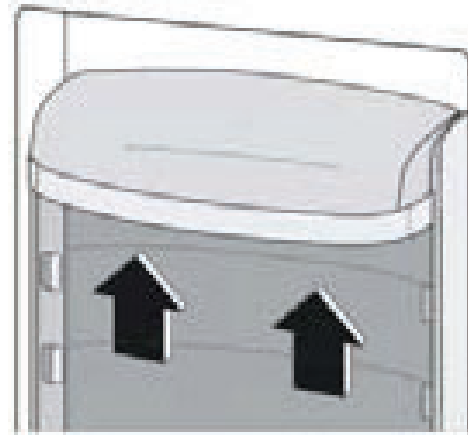
Any replacement or maintenance of the interior incandescent light should be performed by the manufacturer, its service agent or a similar qualified person.

## SHELVES

The walls of the refrigerator cabinet are equipped with a series of runners so that the shelves can be positioned as desired.

There are no locks or catch mechanisms, remove a shelf by pulling it all the way out and replace it on the desired runners.

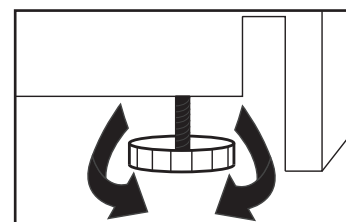
The refrigerator door is equipped with two shelves that can be adjusted for height. To remove a door shelf, gently push upwards but the bottom. Reposition as required and push downward to lock into place.



## LEVELING INSTRUCTIONS

There is an adjustable leg on the bottom of the appliance that can be turned up or down to ensure that the appliance is level.

1. Turn the leveling leg counter-clockwise as far as it will go, until the top of the foot is touching the bottom of the cabinet.
2. Slowly turn the leveling leg clockwise until the appliance is level.

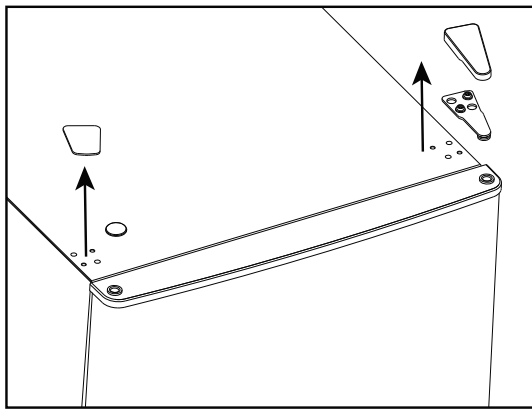


# OPERATING INSTRUCTIONS

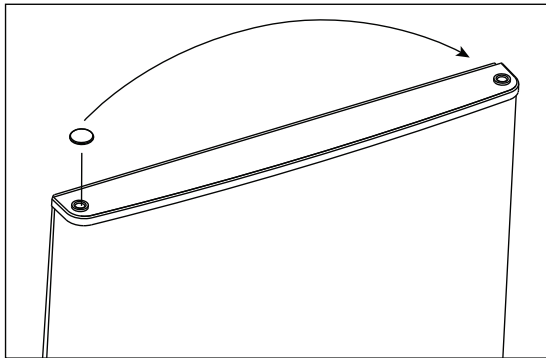
## DOOR REVERSAL INSTRUCTIONS

If the appliance is placed on its back or side for any length of time during this process, it must be allowed to remain upright for 6 hours before plugging it in to avoid damage to the internal components.

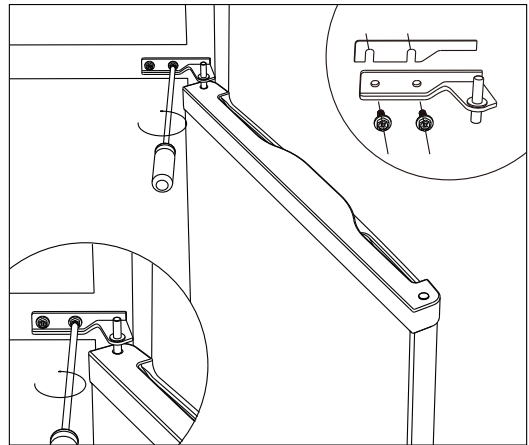
1. Remove the cover plate on the top left side of the cabinet. Remove the hinge cover and the upper hinge from the top right side of the cabinet. Remove the freezer door from the cabinet.



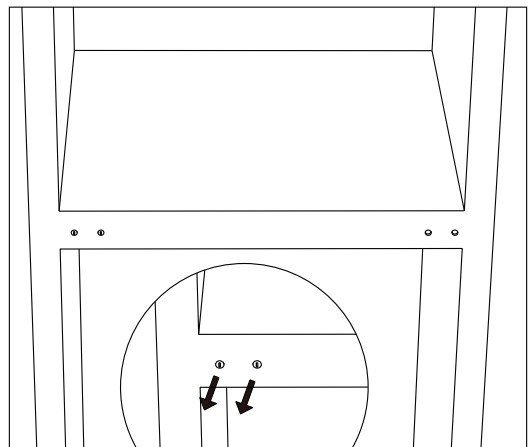
2. Remove the hinge hole cover from the top left side of the door and install it on the top right side of the door.



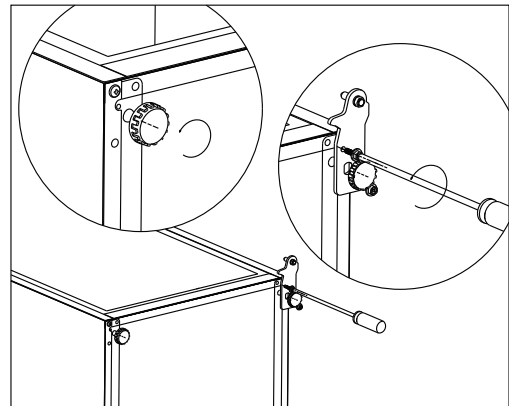
3. Remove the center hinge. Remove the refrigerator door from the cabinet.



4. Remove the screw hole covers from the left side of the cabinet and install them on the right side of the cabinet.

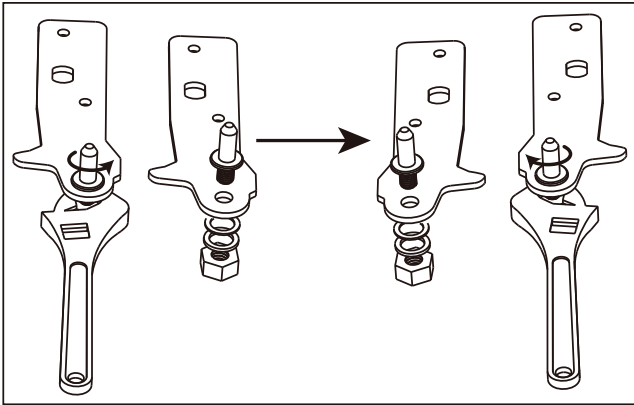


5. Remove the adjustable foot from the lower left side of the cabinet. Remove the hinge from the lower right side of the cabinet.

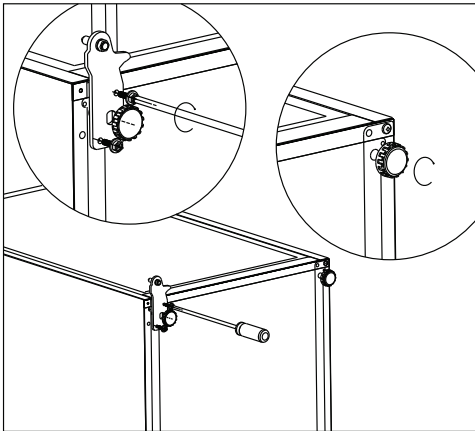


# OPERATING INSTRUCTIONS

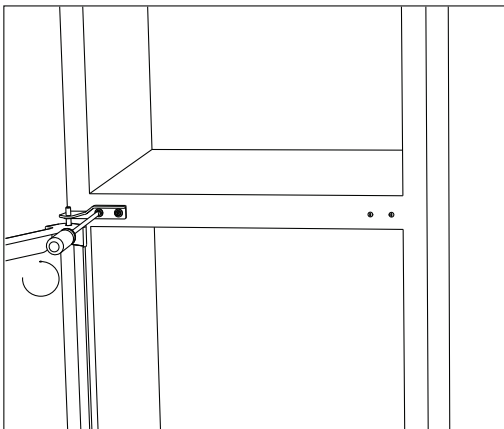
6. Unscrew and remove the bottom hinge pin, turn the hinge over and reinstall it on the other side.



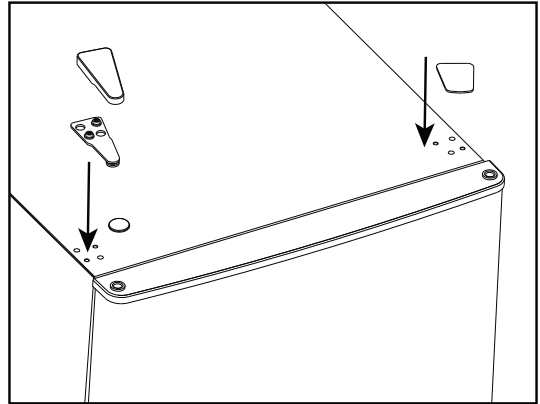
7. Install the bottom hinge on the lower left side of the cabinet. Install the adjustable foot on the lower right side of the cabinet.



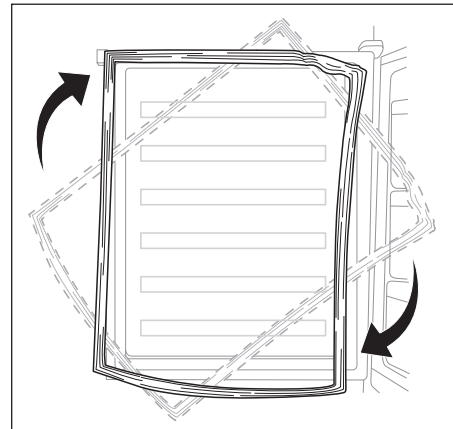
8. Install the door on the cabinet. Install the center hinge.



9. Install the freezer door on the cabinet. Install the upper hinge on the top left side of the cabinet. Install the cover plate on the top right side of the cabinet.



10. Detach the refrigerator and freezer door gaskets, rotate them 180° and then reinstall.



## CARE & MAINTENANCE

### CLEANING

Ensure the appliance is unplugged before cleaning.

- To clean the inside of the appliance, use a soft cloth and a solution of a tablespoon of baking soda to one quart of water or a mild soap solution or some mild detergent.
- Wash removable shelves in a mild detergent solution, then dry and wipe with a soft cloth.
- Clean the outside with a soft, damp cloth and some mild detergent.
- It is important to keep the area clean where the door seals against the cabinet. Clean this area with a soapy cloth. Rinse with a damp cloth and let dry.

**Note:** Do not use cleaners containing ammonia or alcohol on the appliance. Ammonia or alcohol can damage the appearance of the appliance. Never use any commercial or abrasive cleaners or sharp objects on any part of the appliance.

### POWER FAILURE

Most power failures are corrected within a few hours and should not affect the temperature of your appliance if you minimize the number of times the door is opened. If the power is going to be off for a longer period of time, take the proper steps to protect your contents.

**Note:** Wait 3 to 5 minutes before attempting to restart the refrigerator if operation has been interrupted.

### VACATION

- **Short vacations:** Leave the appliance operating during vacations of less than three weeks.
- **Long vacations:** If the appliance will not be used for several months, remove all items and turn off the appliance. Clean and dry the interior thoroughly. To prevent odor and mold growth, leave the door open slightly, blocking it open if necessary.

### DEFROSTING INSTRUCTIONS

There is no need to defrost the refrigerator compartment as any ice build up on the back wall will be defrosted automatically. Defrost water from the refrigerator compartment is channeled into a drip tray above the compressor. Heat transfer from the compressor causes the water to evaporate.

The freezer compartment should be defrosted any time the frost reaches 3 - 5 mm (1/4 in) thick. To defrost the freezer compartment, set the thermostat to "OFF", unplug the appliance and remove all frozen contents. Leave the freezer door open to allow the frost to melt. Discard the melted water and leave the door open until the interior of the freezer is dry.

Remember to protect your floors during the defrosting process by putting towels or a pan under the appliance in case of leaking.

**Important:** Never use sharp or pointed instruments to remove ice. The freezer compartment contains refrigerated gas lines. If these lines are accidentally pierced it will render the refrigerator inoperable and void the manufacturer's warranty. Do not allow the refrigerator to continue operation if the freezer compartment is pierced.

### MOVING

- Remove all contents.
- Turn the adjustable legs up to avoid damage.
- Tape the door shut.
- Be sure the appliance stays in the upright position during transportation. Protect the outside of the appliance with a blanket.
- If the appliance is placed on its back or side during transportation, upon reaching the destination, allow it to remain upright for 6 hours before plugging in to avoid damage to internal components.

### DISPOSAL

This appliance may not be treated as regular household waste, it should be taken to the appropriate waste collection point for recycling of electrical components. For information on local waste collection points, contact your local waste removal agency or government office.



## FREQUENTLY ASKED QUESTIONS

### **What are the standard wattage and amps used?**

This information can be found on the rating plate located on the back of the cabinet.

### **How much does it cost to run the freezer?**

Reference the energy card attached to the front of the appliance or go to [www.danby.com](http://www.danby.com) and visit the corresponding product page to find a copy of the energy card.

### **Can I use an extension cord?**

No, an extension cord may not be used.

### **I am having trouble opening the door; why?**

The refrigerator door may be difficult to open immediately after closing it. This is normal and is due to the pressure difference between the cold interior of the refrigerator and the warm air that has just entered the refrigerator when it was opened. The pressure will equalize within a few minutes.

### **I had my fridge on its side to bring it home. Do I have to let it sit? And for how long?**

Yes, please allow it to sit upright for 6 hours before plugging it in.

### **The refrigerator smells like new plastic. How do I make it go away?**

It is common for new appliances to have a slight plastic smell. Ensure that you have removed all packing material from the fridge. Clean the inside of the cabinet by following the cleaning instructions included in the owner's manual. Once completed, place an open box of baking soda in the refrigerator to absorb any remaining odour.

### **How do I set the temperature?**

This varies based on model:

- If your thermostat dial has a graduated blue line, the thinner part of the line indicates warmer temperatures and the thicker part of the line indicates colder temperatures
- If your thermostat dial has dots, the smaller dots indicate warmer temperatures and the larger dots indicate colder temperatures
- If your thermostat dial has numbers, the smaller numbers indicate warmer temperatures and the larger numbers indicate colder temperatures

## **TROUBLESHOOTING**

### **No power**

- A fuse may be blown or the circuit breaker tripped
- Plug not fully inserted into the wall outlet

### **Internal temperature not cold enough**

- Temperature setting is too warm
- The door is not shut properly or opened excessively
- Recently added a large quantity of warm food to the cabinet
- Close proximity to heat source or direct sunlight
- Ambient temperature or humidity is very high

### **Refrigerator runs continuously**

- Temperature setting is too cold
- The door is not shut properly or opened excessively
- Recently added a large quantity of warm food to the cabinet
- Close proximity to heat source or direct sunlight
- Ambient temperature or humidity is very high

### **Refrigerator makes a gurgling noise when operating**

- This noise is completely normal. The refrigerant inside the appliance will make a gurgling noise as it changes from a liquid to a gas and back again.

## LIMITED "IN HOME" WARRANTY

This quality product is warranted to be free from manufacturer's defects in material and workmanship, provided that the unit is used under the normal operating conditions intended by the manufacturer.

This warranty is available only to the person to whom the unit was originally sold by Danby Products Limited (Canada) or Danby Products Inc. (U.S.A.) (hereafter "Danby") or by an authorized distributor of Danby, and is non-transferable.

### TERMS OF WARRANTY

Plastic parts are warranted for thirty (30) days from the date of purchase, with no extensions provided.

**First 12 months** During the first **twelve (12) months**, any functional parts of this product found to be defective, will be repaired or replaced, at warrantor's option, at no charge to the original purchaser.

**To obtain service** Contact the dealer where the unit was purchased, or contact the nearest authorized Danby service depot, where service must be performed by a qualified service technician. If service is performed on the unit by anyone other than an authorized service depot, all obligations of Danby under this warranty shall be void.

**Boundaries of in-home service** Danby reserves the right to limit the boundaries of "In Home Service" to the proximity of an authorized service depot. Any appliance requiring service outside the limited boundaries of "In Home Service", will be the consumer's responsibility to transport at their own expense to the original point of purchase or a service depot for repair. If the appliance is installed in a location that is **100 kilometers (62 miles)** or more from the nearest service center, it must be delivered to the nearest authorized Danby Service Depot by the purchaser.

Transportation charges to and from the service location are not protected by this warranty and are the responsibility of the purchaser.

Nothing within this warranty shall imply that Danby will be responsible or liable for any spoilage or damage to food or other contents of this appliance, whether due to any defect of the appliance, or its use, whether proper or improper.

### EXCLUSIONS

Save as herein provided, by Danby, there are no other warranties, conditions, representations or guarantees, express or implied, made or intended by Danby or its authorized distributors and all other warranties, conditions, representations or guarantees, including any warranties, conditions, representations or guarantees under any Sale of Goods Act or like legislation or statute is hereby expressly excluded. Save as herein provided, **Danby shall not be responsible for any damages to persons or property, including the unit itself, howsoever caused or any consequential damages arising from the malfunction of the unit and by the purchase of the unit, the purchaser does hereby agree to indemnify and hold harmless Danby from any claim for damages to persons or property caused by the unit.**

### GENERAL PROVISIONS

No warranty or insurance herein contained or set out shall apply when damage or repair is caused by any of the following:

- 1) Power failure.
- 2) Damage in transit or when moving the appliance.
- 3) Improper power supply such as low voltage, defective house wiring or inadequate fuses.
- 4) Accident, alteration, abuse or misuse of the appliance such as inadequate air circulation in the room or abnormal operating conditions (ie. extremely high or low room temperature).
- 5) Use for commercial or industrial purposes (ie. If the appliance is not installed in a domestic residence).
- 6) Fire, water damage, theft, war, riot, hostility, acts of God such as hurricanes, floods etc.
- 7) Service calls resulting in customer education.
- 8) Improper Installation (ie. Building-in of a free standing appliance or using an appliance outdoors that is not approved for outdoor application, including but not limited to: garages, patios, porches or anywhere that is not properly insulated or climate controlled).

Proof of purchase date will be required for warranty claims; retain bills of sale. In the event that warranty service is required, present the proof of purchase to our authorized service depot.

**Warranty Service  
In Home**

Danby Products Limited  
PO Box 1778, Guelph, Ontario, Canada N1H 6Z9  
Telephone: (519) 837-0920 FAX: (519) 837-0449

**1-800-263-2629  
04/17**

Danby Products Inc.  
PO Box 669, Findlay, Ohio, U.S.A. 45840  
Telephone: (419) 425-8627 FAX: (419) 425-8629

# Bienvenue dans la famille Danby.

Nous sommes fiers de nos produits de qualité et nous croyons en un service fiable. Nous vous suggérons de lire ce manuel du propriétaire avant de brancher votre nouvel appareil car il contient des informations de fonctionnement importantes, des informations de sécurité, des conseils de dépannage et d'entretien pour assurer la fiabilité et la longévité de votre appareil.

Vous avez droit à la couverture de la garantie décrite dans le manuel du propriétaire fourni avec votre nouvel appareil.

1. Veuillez noter ci-dessous les informations relatives à votre appareil. Vous devez conserver la preuve d'achat originale pour valider et bénéficier des services de garantie.
2. Enregistrez votre produit en ligne et recevez une **PROLONGATION DE GARANTIE GRATUITE DE 2 MOIS** après avoir rempli une enquête sur les produits, à l'adresse [www.danby.com/support/product-registration/](http://www.danby.com/support/product-registration/)

Numéro de modèle : \_\_\_\_\_

Numéro de série : \_\_\_\_\_

Date d'achat : \_\_\_\_\_

## Besoin d'assistance?

1. Lisez votre manuel du propriétaire pour obtenir de l'aide à l'installation, au dépannage et à la maintenance.
2. Visitez **www.Danby.com** pour accéder aux outils en libre-service, aux FAQ et bien plus encore en recherchant votre numéro de modèle dans la barre de recherche.
3. Pour bénéficier du **service client le plus rapide**, veuillez remplir le formulaire Web à l'adresse **www.danby.com/support**. Votre soumission ira directement à un expert de votre appareil particulier. Nos temps de réponse moyens sont compris entre 20 minutes et 2 heures, pendant les heures ouvrables EST.
4. Composez le **1-800-263-2629** - veuillez noter que pendant les heures de pointe, les temps d'attente peuvent dépasser une heure.



## Consignes de sécurité importantes

### LIRE ET SUIVRE TOUTES LES INSTRUCTIONS DE SÉCURITÉ

#### EXIGENCES DE SÉCURITÉ

**DANGER** : Risque d'incendie ou d'explosion.  
Liquide frigorigène inflammable utilisé. Ne pas percer les tubes de réfrigérant.

- N'utilisez pas de dispositifs mécaniques pour dégivrer le réfrigérateur.
- Assurez-vous que l'entretien est effectué par le personnel de service autorisé en usine, afin de minimiser les dommages sur les produits ou les questions de sécurité.
- Consultez le manuel de réparation ou le guide du propriétaire avant d'essayer de réparer ce produit. Toutes les précautions de sécurité doivent être respectées.
- Éliminer conformément aux règlements fédéraux ou locaux.
- Suivez attentivement les instructions de manutention.
- Ne pas stocker des substances explosives comme les bombes aérosol avec un propulseur inflammable dans cet appareil.

**AVERTISSEMENT** : Garder les ouvertures de ventilation, dans l'enceinte de l'appareil ou dans la structure intégrée, sans obstruction.

**AVERTISSEMENT** : N'utilisez pas de dispositifs mécaniques ou d'autres moyens pour accélérer le processus de dégivrage, autres que ceux recommandés par le fabricant.

**AVERTISSEMENT** : Ne pas endommager le circuit de réfrigérant.

**AVERTISSEMENT** : N'utilisez pas d'appareils électriques à l'intérieur des compartiments de stockage d'aliments de l'appareil, à moins qu'ils ne soient du type recommandé par le fabricant.

**ATTENTION** : Les enfants devraient être surveillés pour s'assurer qu'ils ne jouent pas avec l'appareil.

**DANGER** : Risque de piégeage des enfants. Avant de jeter un ancien appareil :

- Retirez la porte ou le couvercle.
- Laissez les étagères en place afin que les enfants ne puissent pas facilement monter à l'intérieur.

**DANGER**: N'ajoutez pas de verrou à la porte ou au couvercle. Cela peut entraîner le piégeage et le préjudice des enfants.

#### EXIGENCES DE SÉCURITÉ

Cet appareil n'est pas destiné à être utilisé par des personnes (y compris des enfants) dont les capacités physiques, sensorielles ou mentales peuvent être différentes ou réduites, ou qui n'ont pas d'expérience ou de connaissances, à moins que ces personnes ne reçoivent de supervision ou de formation pour faire fonctionner l'appareil par une personne responsable de leur sécurité.

Cet appareil est destiné à être utilisé dans des applications domestiques et similaires telles que:

- Cuisines du personnel dans les magasins, les bureaux et autres environnements de travail;
- Les maisons de ferme et par les clients dans les hôtels, motels et autres environnements de type résidentiel;
- Chambres d'hôtes;
- Restauration et applications similaires non commerciales.

#### INSTRUCTIONS DE MISE À LA TERRE

Cet appareil doit être mis à la terre. La mise à la terre réduit le risque de choc électrique en fournissant un fil d'échappement pour le courant électrique.

Cet appareil possède un cordon doté d'un fil de mise à la terre avec une fiche à 3 broches. Le cordon d'alimentation doit être branché sur une prise correctement mise à la terre. Si la sortie est une prise murale à 2 broches, elle doit être remplacée par une prise murale à 3 broches correctement mise à la terre. La plaque signalétique en série indique la tension et la fréquence auxquelles l'appareil est conçu.

**AVERTISSEMENT** - Une utilisation incorrecte de la fiche de mise à la terre peut entraîner un risque d'électrocution. Consultez un électricien qualifié ou un agent de service si les instructions de mise à la terre ne sont pas complètement comprises ou s'il existe un doute quant à savoir si l'appareil est correctement mis à la terre.

**Ne branchez pas votre appareil à des rallonges ou avec un autre appareil dans la même prise murale.** Ne pas épisser le cordon d'alimentation. Ne coupez ou retirez en aucun cas la troisième broche du cordon d'alimentation. N'utilisez pas de cordons de prolongement ou d'adaptateurs sans mise à la terre (deux broches).

Si le cordon d'alimentation est endommagé, il doit être remplacé par le fabricant, son agent de service ou une personne qualifiée similaire afin d'éviter tout risque.

**GARDEZ CES INSTRUCTIONS!**

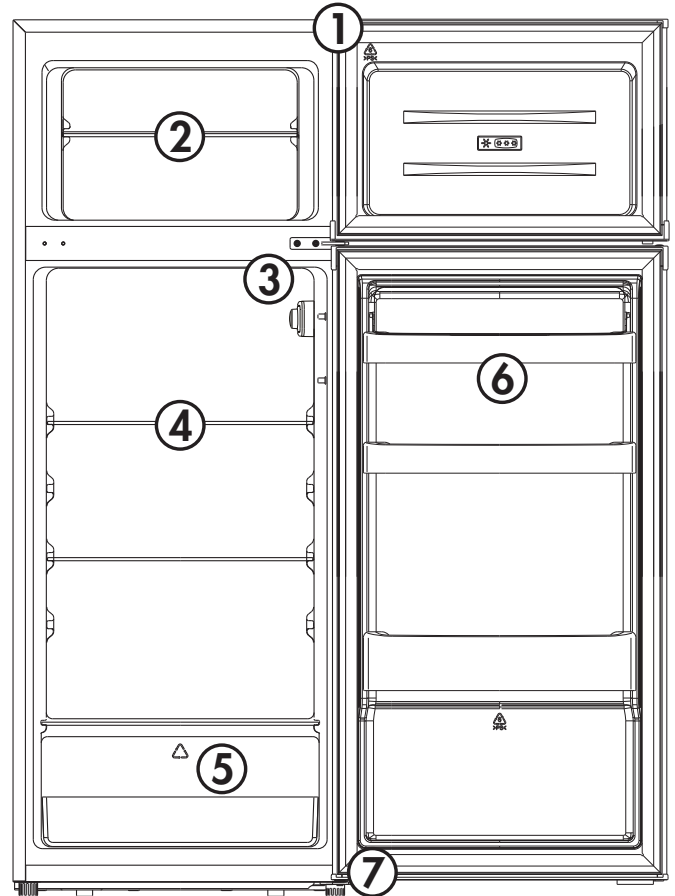
# INSTRUCTIONS D'INSTALLATION

## EMPLACEMENT

- Deux personnes doivent être utilisées pour déplacer l'appareil.
- Retirer l'emballage intérieur et extérieur avant l'installation. Essuyez l'extérieur de l'appareil avec un chiffon doux et sec et à l'intérieur avec un chiffon humide tiède.
- Placez votre appareil sur un plancher qui est assez fort pour le soutenir quand il est complètement chargé.
- Ne placez pas l'appareil directement dans la lumière du soleil ou à proximité de sources de chaleur, comme un poêle ou un réchauffeur, car cela peut augmenter la consommation électrique. Des températures ambiantes extrêmes et froides peuvent également provoquer un dysfonctionnement de l'appareil.
- Ne pas utiliser ce produit près de l'eau, par exemple, dans un sous-sol humide ou près d'un évier.
- Cet appareil est destiné à un usage domestique seulement. Cette unité n'est pas conçue pour une installation extérieure, y compris une installation où la température n'est pas contrôlée (garages, porches, carports, etc.).
- Avant de brancher l'appareil à une source d'alimentation, laissez-le debout pendant environ 6 heures; Ceci réduira la possibilité d'un dysfonctionnement dans le système de refroidissement de la manipulation pendant le transport.
- Cet appareil mesure 55,4 cm (21,8 pouces) de largeur sur 143 cm (56,3 pouces) de hauteur sur 55,5 cm (21,9 pouces) de profondeur.
- Laissez 5 cm (2 pouces) d'espace entre l'arrière, les côtés et le dessus de l'appareil et tous les murs adjacents.
- Cet appareil est destiné uniquement à une installation autonome et ne doit pas être intégré dans une armoire ou un compteur. La construction de cet appareil peut provoquer un dysfonctionnement.

## CARACTÉRISTIQUES

1. Joint magnétique
2. Étagère de congélateur
3. Contrôle de la température et éclairage intérieur
4. Étagères de réfrigérateur
5. Étagères de porte de réfrigérateur
6. Bac à légumes
7. Pieds de nivellement

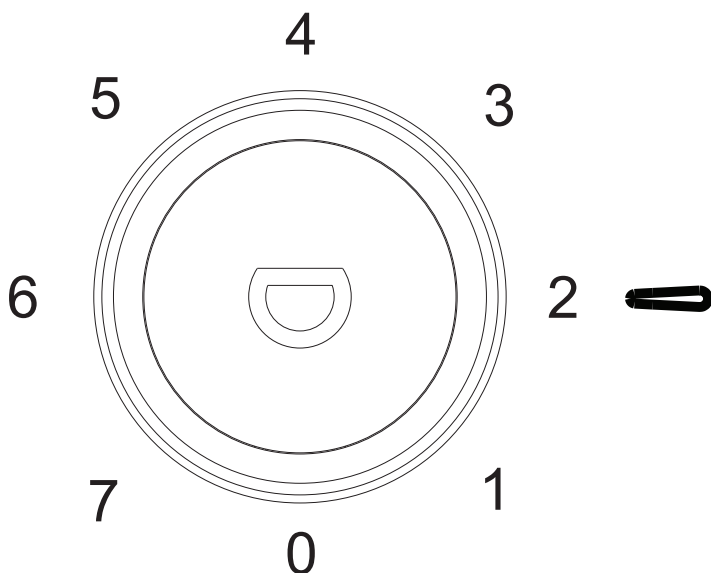


# CONSIGNES D'UTILISATION

## TEMPERATURE CONTROL

Le panneau de commande du réfrigérateur est situé sur le côté du compartiment réfrigérateur.

- Les nombres inférieurs indiquent des réglages de température plus chauds.
- Des nombres plus élevés indiquent des réglages de température plus froids.
- Lorsqu'il est réglé sur 0, le compresseur s'éteint.
- Lorsqu'il est réglé sur 7, le compresseur fonctionnera en continu.
- Le réglage recommandé pour une utilisation quotidienne régulière est de 4.
- Si la température ambiante est supérieure à 38°C (100°F), le réglage recommandé est de 2 à 4.
- Si la température ambiante est inférieure à 16°C (60°F), le réglage recommandé est de 4 à 6.



## LUMIÈRE INTÉRIEURE

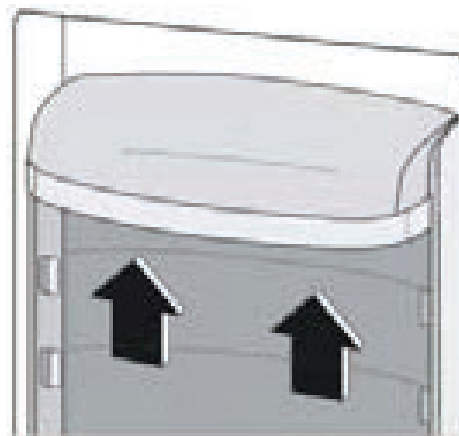
Tout remplacement ou entretien de la lampe à incandescence intérieure doit être effectué par le fabricant, son agent de service ou une personne qualifiée similaire.

## ÉTAGÈRES

Les parois de l'armoire du réfrigérateur sont équipées d'une série de glissières afin que les étagères puissent être positionnées à volonté.

Il n'y a pas de serrures ou de mécanismes de verrouillage, retirez une étagère en la tirant complètement et remplacez-la sur les rails souhaités.

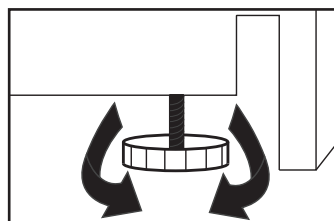
La porte du réfrigérateur est équipée de deux tablettes réglables en hauteur. Pour retirer une tablette de porte, poussez doucement vers le haut mais vers le bas. Repositionnez au besoin et poussez vers le bas pour verrouiller en place.



## INSTRUCTIONS DE NIVEAU

Il y a une patte réglable au bas de l'appareil qui peut être montée ou basse pour s'assurer que l'appareil est au niveau.

1. Tournez la jambe de nivellement dans le sens inverse des aiguilles d'une montre aussi loin que possible, jusqu'à ce que le haut du pied touche le bas du châssis.
2. Tournez lentement la jambe de nivellement dans le sens des aiguilles d'une montre jusqu'à ce que l'appareil soit à niveau.



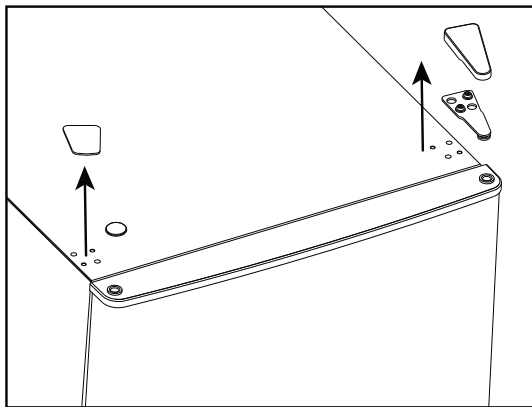


# CONSIGNES D'UTILISATION

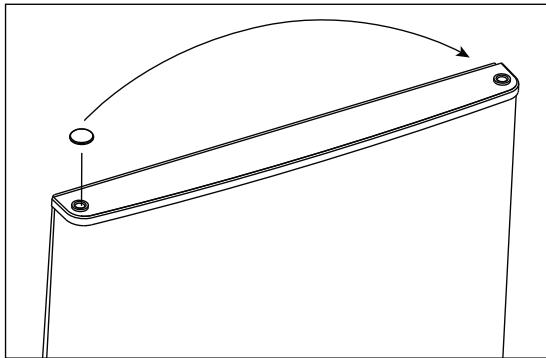
## INSTRUCTIONS D'INVERSION DE PORTE

Si l'appareil est placé sur le dos ou sur le côté pendant une durée quelconque au cours de ce processus, il doit être autorisé à rester debout pendant 6 heures avant de le brancher pour éviter d'endommager les composants internes.

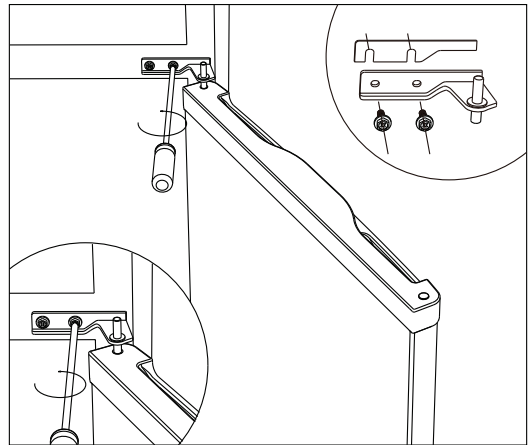
1. Retirez la plaque de recouvrement sur le côté supérieur gauche de l'armoire. Retirez le couvercle de la charnière et la charnière supérieure du côté supérieur droit de l'armoire. Retirez la porte du congélateur de l'armoire.



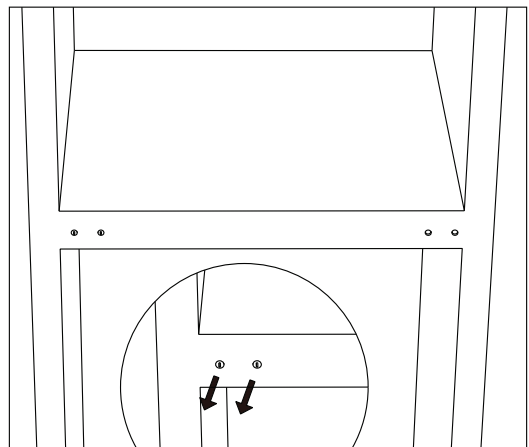
2. Retirez le couvercle du trou de charnière du côté supérieur gauche de la porte et installez-le sur le côté supérieur droit de la porte.



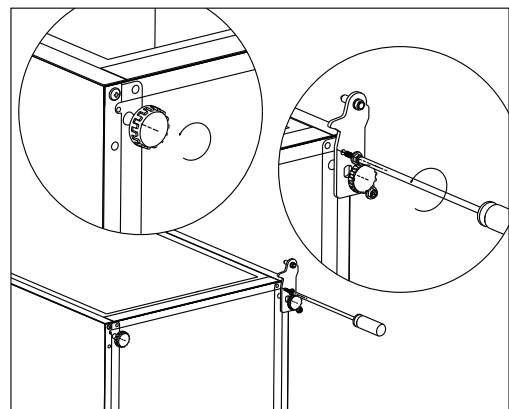
3. Retirez la charnière centrale. Retirez la porte du réfrigérateur de l'armoire.



4. Retirez les couvercles des trous de vis du côté gauche de l'armoire et installez-les sur le côté droit de l'armoire.



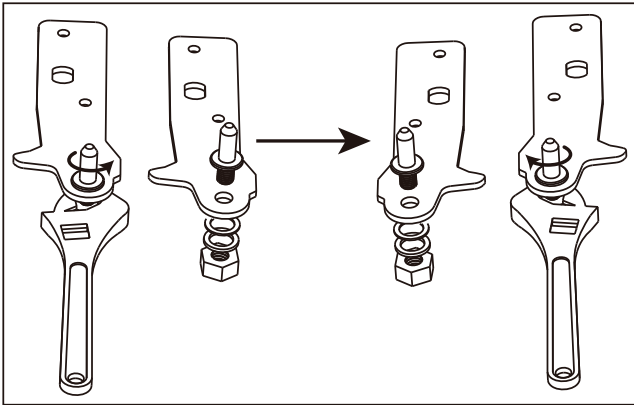
5. Retirez le pied réglable du côté inférieur gauche de l'armoire. Retirez la charnière du côté inférieur droit de l'armoire.



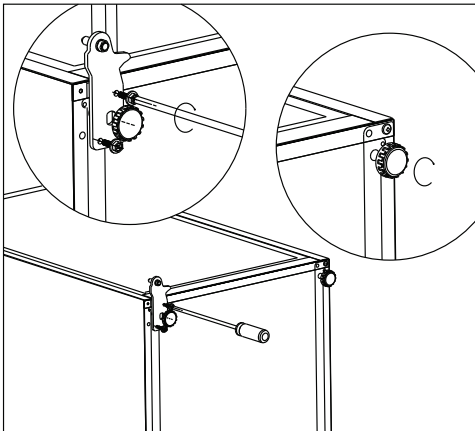


## CONSIGNES D'UTILISATION

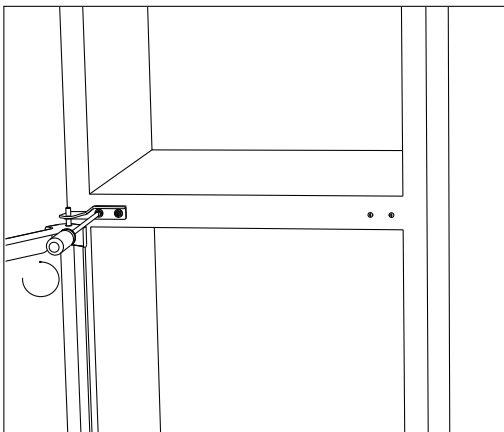
6. Dévissez et retirez l'axe de la charnière inférieure, retournez la charnière et réinstallez-la de l'autre côté.



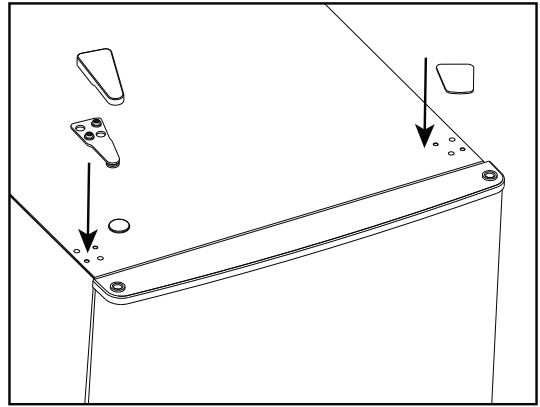
7. Installez la charnière inférieure sur le côté inférieur gauche de l'armoire. Installez le pied réglable sur le côté inférieur droit de l'armoire.



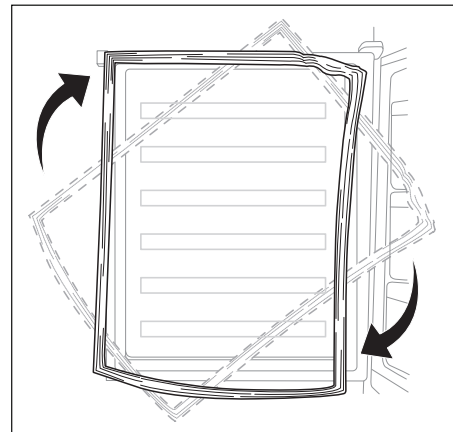
8. Installez la porte sur l'armoire. Installez la charnière centrale.



9. Installez la porte du congélateur sur l'armoire. Installez la charnière supérieure sur le côté supérieur gauche de l'armoire. Installez la plaque de recouvrement sur le côté supérieur droit de l'armoire.



10. Détachez les joints des portes du réfrigérateur et du congélateur, faites-les pivoter de 180° puis réinstallez-les.



## SOINS ET ENTRETIEN

### NETTOYAGE

Assurez-vous que l'appareil est débranché avant de nettoyer une partie de l'appareil.

- Pour nettoyer l'intérieur de l'appareil, utilisez un chiffon doux et une solution d'une cuillère à soupe de bicarbonate de soude à un quart d'eau ou une solution de savon doux ou un détergent doux.
- Lavez les tablettes amovibles dans une solution détergente douce, puis séchez et essuyez avec un chiffon doux.
- Nettoyez l'extérieur avec un chiffon doux et humide et un peu de détergent doux.
- Il est important de garder la région de scellement de la porte sur l'armoire propre. Nettoyez avec un tissu savonneux, rincez la région et puis séchez.

**Remarque:** N'utilisez pas de produits nettoyants comprenant de l'ammoniaque ou de l'alcool sur l'appareil. L'ammoniaque ou l'alcool peuvent altérer le fini de l'appareil. N'utilisez jamais de nettoyant industriels sur aucune partie de votre appareil.

### PANNE DE COURANT

La plupart des pannes de courant ne durent que quelques heures et ne devraient pas modifier la température de votre l'appareil si vous réduisez au maximum le nombre de fois où la porte est ouverte. Si le courant reste coupé pendant une longue période, il faut prendre des mesures de protection du contenu de l'appareil.

**Remarque:** Attendez 3 à 5 minutes avant d'essayer de redémarrer le réfrigérateur si l'opération a été interrompue.

### VACANCES

- **Courtes vacances:** Laissez l'appareil fonctionner pendant les vacances durant moins de trois semaines.
- **Longues vacances:** Si l'appareil ne doit pas être utilisé pendant plusieurs mois, retirez tout ce qu'il contient et mettez-le hors tension. Nettoyez et asséchez à fond l'intérieur. Pour éviter les odeurs et le développement de moisissures, laissez la porte entrouverte, la coincer au besoin.

### INSTRUCTIONS DE DÉGIVRAGE

Il n'est pas nécessaire de dégivrer le compartiment réfrigérateur car toute accumulation de glace sur le mur arrière sera décongelée automatiquement. Le dégivrage de l'eau du compartiment réfrigérateur est canalisé dans un bac d'égouttage au-dessus du compresseur. Le transfert de chaleur du compresseur provoque l'évaporation de l'eau.

Le compartiment congélateur doit être décongelé chaque fois que la gelée atteint une épaisseur de 3 à 5 mm (1/4 po). Pour dégivrer le compartiment congélateur, régler le thermostat sur "OFF", débrancher l'appareil et retirer tout le contenu congelé. Laissez la porte du congélateur ouverte pour laisser fondre le givre. Jeter l'eau fondue et laisser la porte ouverte jusqu'à ce que l'intérieur du congélateur soit sec.

N'oubliez pas de protéger vos sols pendant le processus de dégivrage en mettant des serviettes ou une casserole sous l'appareil en cas de fuite.

Important: n'utilisez jamais d'instruments pointu ou pointu pour enlever la glace. Le compartiment congélateur contient des conduites de gaz réfrigérées. Si ces lignes sont accidentellement percées, cela rendra le réfrigérateur inopérant et annulera la garantie du fabricant. Ne laissez pas le réfrigérateur continuer à fonctionner si le compartiment congélateur est percé.

### DÉMÉNAGER

- Supprimez tous les contenus.
- Tournez les pattes réglables vers le haut pour éviter d'endommager.
- Fermez la porte.
- Assurez-vous que l'appareil reste en position verticale pendant le transport. Protégez l'extérieur de l'appareil avec une couverture.
- Si l'appareil est placé sur son dos ou sur son côté pendant le transport, en arrivant à la destination, laissez-le rester debout pendant 6 heures avant de brancher pour éviter d'endommager les composants internes.

### ÉLIMINATION DES DÉCHETS

Ce produit ne doit pas être traité comme un déchet domestique ordinaire, il doit être transporté au point de collecte approprié pour le recyclage des composants électriques. Pour obtenir des renseignements sur les points de collecte des déchets locaux, communiquez avec votre agence locale de traitement des déchets ou avec le bureau du gouvernement.

## QUESTIONS FRÉQUEMMENT POSÉES

### **Quels sont la puissance et les amplis standard utilisés?**

Ces informations se trouvent sur la plaque signalétique située à l'arrière de l'armoire.

### **Combien cela coûte-t-il de faire fonctionner le congélateur?**

Reportez-vous à la carte d'énergie attachée à l'avant de l'appareil ou visitez le site [www.danby.com](http://www.danby.com) et visitez la page produit correspondante pour trouver une copie de la carte d'énergie.

### **Puis-je utiliser une rallonge?**

Non, une rallonge ne peut pas être utilisée.

### **J'ai du mal à ouvrir la porte; Pourquoi?**

La porte du réfrigérateur peut être difficile à ouvrir immédiatement après sa fermeture. Ceci est normal et est dû à la différence de pression entre l'intérieur froid du réfrigérateur et l'air chaud qui vient d'entrer dans le réfrigérateur lors de son ouverture. La pression s'égalisera en quelques minutes.

### **J'avais mon frigo sur le côté pour le ramener à la maison. Dois-je le laisser reposer? Et pour combien de temps?**

Oui, laissez-le reposer pendant 6 heures avant de le brancher.

### **Le réfrigérateur sent le nouveau plastique. Comment le faire disparaître?**

Il est courant que les nouveaux appareils aient une légère odeur de plastique. Assurez-vous d'avoir retiré tout le matériel d'emballage du réfrigérateur. Nettoyez l'intérieur du boîtier en suivant les instructions de nettoyage incluses dans le manuel du propriétaire. Une fois terminé, placez une boîte ouverte de bicarbonate de soude dans le réfrigérateur pour absorber toute odeur restante.

### **Comment régler la température?**

Cela varie en fonction du modèle :

- Si le cadran de votre thermostat a une ligne bleue graduée, la partie la plus fine de la ligne indique des températures plus chaudes et la partie la plus épaisse de la ligne indique des températures plus froides.
- Si le cadran de votre thermostat comporte des points, les petits points indiquent des températures plus chaudes et les plus grands points indiquent des températures plus froides
- Si le cadran de votre thermostat comporte des chiffres, les plus petits chiffres indiquent des températures plus chaudes et les plus grands indiquent des températures plus froides

## DÉPANNAGE

### L'appareil n'est pas alimenté

- Un fusible est peut-être grillé ou le disjoncteur s'est déclenché
- La fiche n'est pas complètement insérée dans la prise murale

### Température interne pas assez froide

- Le réglage de la température est trop chaud
- La porte n'est pas correctement fermée ou ouverte de manière excessive
- Récemment ajouté une grande quantité d'aliments chauds dans l'armoire
- Proche d'une source de chaleur ou de la lumière directe du soleil
- La température ambiante ou l'humidité est très élevée

### Le réfrigérateur fonctionne en continu

- Le réglage de la température est trop froid
- La porte n'est pas correctement fermée ou ouverte de manière excessive
- Récemment ajouté une grande quantité d'aliments chauds dans l'armoire
- Proche d'une source de chaleur ou de la lumière directe du soleil
- La température ambiante ou l'humidité est très élevée

### Le réfrigérateur émet un gargouillis lorsqu'il fonctionne

- Ce bruit est tout à fait normal. Le réfrigérant à l'intérieur de l'appareil émettra un gargouillis lorsqu'il passe d'un liquide à un gaz et vice-versa.

## GARANTIE LIMITÉE « À DOMICILE »

Cet appareil de qualité est garanti exempt de tout vice de matière première et de fabrication, s'il est utilisé dans les conditions normales recommandées par le fabricant.

Cette garantie n'est offerte qu'à l'acheteur initial de l'appareil vendu par Danby Products Limited (Canada) ou Danby Products Inc. (É.-U.) (ci-après « Danby ») ou par l'un de ses distributeurs agréés et elle ne peut être transférée.

### CONDITIONS

Les pièces en plastique sont garanties pendant trente (30) jours seulement à partir de la date de l'achat, sans aucune prolongation prévue.

**Premiers 12 mois** Pendant les premiers **douze (12) mois**, toutes les pièces fonctionnelles de ce produit qui s'avèrent défectueuses seront réparées ou remplacées, selon le choix du garant, sans frais à l'acheteur initial.

**Pour bénéficiaire du service** S'adresser au détaillant qui a vendu l'appareil, ou à la station technique agréée de service la plus proche, où les réparations doivent être effectuées par un technicien qualifié. Si les réparations sont effectuées par quiconque autre que la station de service agréée ou à des fins commerciales, toutes les obligations de Danby en vertu de cette garantie seront annulées.

**Limites de l'entretien à domicile** Danby se réserve le droit de limiter les limites de « Service au domicile » à proximité d'un dépôt de service agréé. Pour tout appareil nécessitant le service hors des limites de "Service à domicile" il sera la responsabilité du consommateur de transporter à ses frais au point d'achat d'origine ou un dépôt de service pour la réparation. Si l'appareil est installé à plus de **100 kilomètres (62 milles)** du centre de service le plus proche, il doit être livré à l'atelier de réparation autorisé par Danby le plus proche, car l'entretien doit uniquement être réalisé par un technicien qualifié et certifié pour effectuer un entretien couvert par la garantie de Danby.

Les frais de transport entre votre domicile et le lieu de l'entretien ne sont pas couverts par la présente garantie et doivent être acquittés par l'acheteur.

Aucune partie de la garantie ne prévoit implicitement que le fabricant sera tenu responsable des dommages subis par les aliments ou d'autres types de contenu, qu'ils soient causés par la défectuosité de l'appareil ou par son usage adéquat ou inadéquat.

### EXCLUSIONS

En vertu de la présente, il n'existe aucune autre garantie, condition ou représentation, qu'elle soit exprimée ou tacite, de façon manifeste ou intentionnelle, par Danby ou ses distributeurs agréés. De même, sont exclues toutes les autres garanties, conditions ou représentations, y compris les garanties, conditions ou représentations en vertu de toute loi régissant la vente de produits ou de toute autre législation ou règlement semblable. **En vertu de la présente, Danby ne peut être tenue responsable en cas de blessures corporelles ou de dégâts matériels, y compris à l'appareil, quelle qu'en soit la cause. Danby ne peut pas être tenue responsable des dommages indirects dus au fonctionnement défectueux de l'appareil. En achetant l'appareil, l'acheteur accepte de tenir sans reproche et de dégager Danby de toute responsabilité en cas de réclamation pour toute blessure corporelle ou tout dégât matériel causé par cet appareil.**

### CONDITIONS GÉNÉRALES

La garantie ou assurance ci-dessus ne s'applique pas si les dégâts ou réparations sont dus aux cas suivants :

- 1) Panne de courant.
- 2) Dommages subis pendant le transport ou le déplacement de l'appareil.
- 3) Alimentation électrique incorrecte (tension faible, câblage défectueux, fusibles incorrects).
- 4) Accident, modification, emploi abusif ou incorrect de l'appareil tel qu'une circulation d'air inadéquate dans la pièce ou des conditions de fonctionnement anormales (température extrêmement élevée ou basse).
- 5) Utilisation dans un but commercial ou industriel (à savoir, si l'appareil n'est pas installé dans un domicile résidentiel).
- 6) Incendie, dommages causés par l'eau, le vol, la guerre, une émeute, des hostilités, ou en cas de force majeure (ouragan, inondation, etc.).
- 7) Visites d'un technicien pour expliquer le fonctionnement de l'appareil au propriétaire.
- 8) Installation inappropriée (par exemple, encastrement d'un appareil autoportant, ou utilisation extérieure d'un appareil non conçu à cet effet, y compris, mais sans s'y limiter : les garages, les patios, les porches ou ailleurs, qui ne sont pas correctement isolés ou climatisés).

La preuve de la date d'achat sera requise pour les réclamations de garantie; conserver la facture de vente. Dans le cas où un service de garantie est requis, présentez la preuve d'achat à notre dépôt de service agréé.

### Service sous garantie

Service au domicile

Danby Products Limited  
PO Box 1778, Guelph, Ontario, Canada N1H 6Z9  
Téléphone : (519) 837-0920 Télécopieur : (519) 837-0449

**1-800-263-2629**

02/18

Danby Products Inc.  
PO Box 669, Findlay, Ohio, U.S.A. 45840  
Téléphone : (419) 425-8627 Télécopieur : (419) 425-8629

# Bienvenido a la familia Danby.

Estamos orgullosos de nuestros productos de calidad y creemos en un servicio confiable. Le sugerimos que lea este manual del propietario antes de enchufar su nuevo electrodoméstico, ya que contiene información importante de funcionamiento, información de seguridad, solución de problemas y consejos de mantenimiento para garantizar la confiabilidad y longevidad de su electrodoméstico.

Tiene derecho a la cobertura de la garantía como se describe en el manual del propietario que se proporciona con su nuevo electrodoméstico.

1. Escriba la información de su aparato a continuación. **Debe conservar el comprobante de compra original para validar y recibir los servicios de garantía.**
2. Registre su producto en línea y reciba una **EXTENSIÓN DE GARANTÍA GRATUITA DE 2 MESES** después de completar una encuesta sobre el producto, en [www.danby.com/support/product-registration/](http://www.danby.com/support/product-registration/)

**Número de modelo:** \_\_\_\_\_

**Número de serie:** \_\_\_\_\_

**Fecha de compra:** \_\_\_\_\_

## Necesitas ayuda?

1. Lea el manual del propietario para obtener ayuda con la instalación, resolución de problemas y asistencia de mantenimiento.
2. Visite [www.Danby.com](http://www.Danby.com) para acceder a herramientas de autoservicio, preguntas frecuentes y mucho más buscando su número de modelo en la barra de búsqueda.
3. Para obtener el **servicio al cliente más rápido**, complete el formulario web en [www.danby.com/support](http://www.danby.com/support). Su envío irá directamente a un experto en su dispositivo en particular. Nuestros tiempos de respuesta promedio son entre 20 minutos y 2 horas, durante el horario comercial EST.
4. Llame al **1-800-263-2629**; tenga en cuenta que durante las horas pico, los tiempos de espera pueden exceder una hora.





## Importantes Instrucciones de Seguridad

### LEA Y SIGA TODAS LAS INSTRUCCIONES DE SEGURIDAD

#### REQUERIMIENTOS DE SEGURIDAD

**PELIGRO:** Riesgo de incendio o explosión. Refrigerante inflamable usado. No perforar la tubería del refrigerante.

- No utilice dispositivos mecánicos para descongelar el refrigerador.
- Asegúrese de que el personal de mantenimiento autorizado por la fábrica haga el mantenimiento para minimizar los daños o problemas de seguridad del producto.
- Consulte el manual de reparación o la guía del propietario antes de intentar reparar este producto. Todas las precauciones de seguridad deben ser seguidas.
- Deseche adecuadamente de acuerdo con las regulaciones federales o locales.
- Siga cuidadosamente las instrucciones de manipulación.
- No almacene sustancias explosivas como aerosoles con propelente inflamable en este electrodoméstico.

**ADVERTENCIA:** Mantenga las aberturas de ventilación, en la caja del aparato o en la estructura incorporada, sin obstrucción.

**ADVERTENCIA:** No utilice dispositivos mecánicos u otros medios para acelerar el proceso de descongelación, distintos de los recomendados por el fabricante.

**ADVERTENCIA:** No dañar el circuito refrigerante.

**ADVERTENCIA:** No utilice electrodomésticos dentro de los compartimentos de almacenamiento de alimentos del aparato, a menos que sean del tipo recomendado por el fabricante.

**PRECAUCIÓN:** Los niños deben ser supervisados para asegurarse de que no juegan con el aparato.

**PELIGRO:** Riesgo de atrapamiento de niños. Antes de tirar un electrodoméstico viejo:

- Retire la puerta o la tapa.
- Deje los estantes en su lugar para que los niños no puedan subir fácilmente dentro.

**PELIGRO:** No agregue un candado a la puerta o tapa. Esto puede causar atrapamiento y daño al niño.

#### REQUERIMIENTOS DE SEGURIDAD

Este aparato no está diseñado para ser usado por personas (incluyendo niños) cuyas capacidades físicas, sensoriales o mentales pueden ser diferentes o reducir, o que carecen de experiencia o conocimiento, a menos que dichas personas reciban supervisión o entrenamiento para operar el aparato por una persona responsable de su la seguridad.

Este dispositivo está destinado a ser utilizado en aplicaciones domésticas y similares, tales como:

- Cocinas de personal en tiendas, oficinas y otros entornos de trabajo;
- Casas rurales y clientes en hoteles, moteles y otros entornos de tipo residencial;
- Cama y desayuno;
- Catering y aplicaciones similares no minoristas.

#### INSTRUCCIONES DE CONEXION A TIERRA

Este aparato debe estar conectado a tierra. La puesta a tierra reduce el riesgo de descarga eléctrica proporcionando un cable de escape para la corriente eléctrica.

Este aparato tiene un cable que tiene un cable de conexión a tierra con un enchufe de 3 clavijas. El cable de alimentación debe estar enchufado en un tomacorriente que esté debidamente conectado a tierra. Si el tomacorriente es un enchufe de pared de 2 terminales, debe ser reemplazado por un tomacorriente de pared de 3 clavijas debidamente conectado a tierra. La placa de características en serie indica el voltaje y la frecuencia que el aparato está diseñado para.

**ADVERTENCIA** - El uso incorrecto del enchufe de conexión a tierra puede resultar en un riesgo de descarga eléctrica. Consulte a un electricista calificado o agente de servicio si las instrucciones de conexión a tierra no se entienden completamente o si existe duda sobre si el aparato está debidamente conectado a tierra.

**No conecte el aparato a los cables de extensión ni con otro aparato en la misma toma de corriente.**

No empalme el cable de alimentación. No corte ni extraiga en ningún caso la tercera clavija de tierra del cable de alimentación. No utilice cables de extensión ni adaptadores sin conexión a tierra (dos clavijas).

Si el cable de alimentación está dañado, debe ser reemplazado por el fabricante, su agente de servicio o persona calificada similar para evitar riesgos.

**¡GUARDE ESTAS INSTRUCCIONES!**

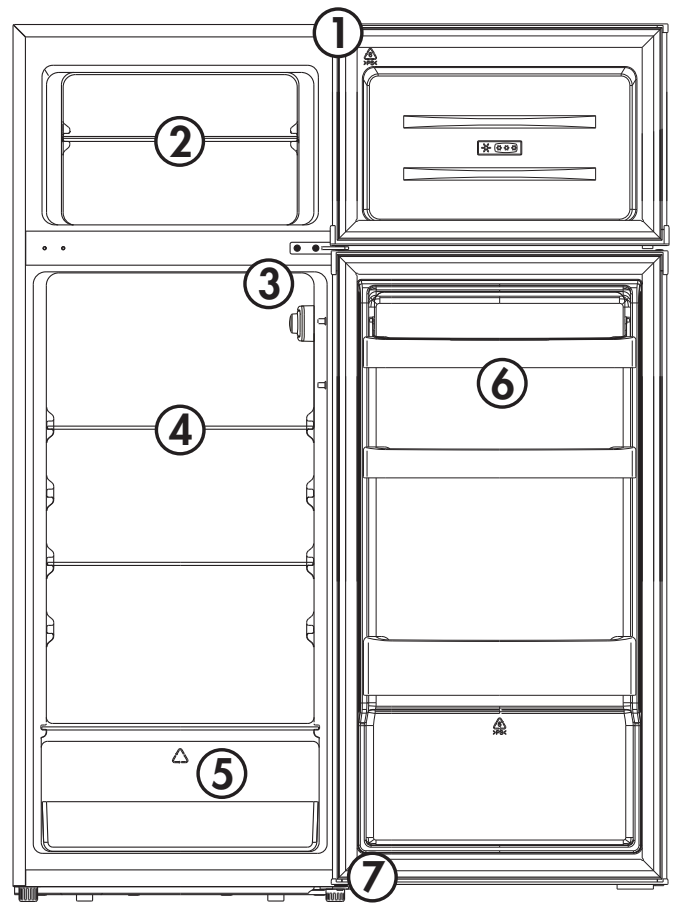
# INSTRUCCIONES DE INSTALACIÓN

## UBICACIÓN

- Se deben utilizar dos personas al mover el aparato.
- Retire el embalaje interior y exterior antes de la instalación. Limpie el exterior del aparato con un paño suave y seco y el interior con un paño húmedo tibio.
- Coloque el aparato en un piso que sea lo suficientemente fuerte como para soportarlo cuando esté completamente cargado.
- Ubique el aparato lejos de la luz directa del sol y fuentes de calor (estufa, calentador, radiador, etc.). La luz solar directa y las fuentes de calor pueden aumentar el consumo eléctrico. Las temperaturas ambientales extremadamente frías también pueden causar que la unidad funcione incorrectamente.
- No utilice este producto cerca del agua, por ejemplo, en un sótano húmedo o cerca de un fregadero.
- Este aparato está diseñado para uso doméstico solamente. Esta unidad no está diseñada para instalación exterior, incluida la instalación en cualquier lugar que no sea de temperatura controlada (garajes, porches, cocheras, etc.).
- Antes de conectar el aparato a una fuente de alimentación, deje que se mantenga erguido durante aproximadamente 6 horas; Esto reducirá la posibilidad de un mal funcionamiento en el sistema de enfriamiento debido a la manipulación durante el transporte.
- Este aparato mide 55,4 cm (21,8 pulgadas) de ancho por 143 cm (56,3 pulgadas) de alto por 55,5 cm (21,9 pulgadas) de profundidad.
- Deje 5 cm (2 pulgadas) de espacio entre la parte posterior, los lados y la parte superior del aparato y todas las paredes adyacentes.
- Este aparato está diseñado para instalación independiente y no está diseñado para ser instalado en un gabinete o mostrador. La construcción en este aparato puede causar un mal funcionamiento.

## CARACTERÍSTICAS

1. Junta magnética
2. Estante del congelador
3. Control de temperatura e iluminación interior
4. Estantes del refrigerador
5. Estantes de la puerta del refrigerador
6. Más crujiente
7. Patas niveladoras



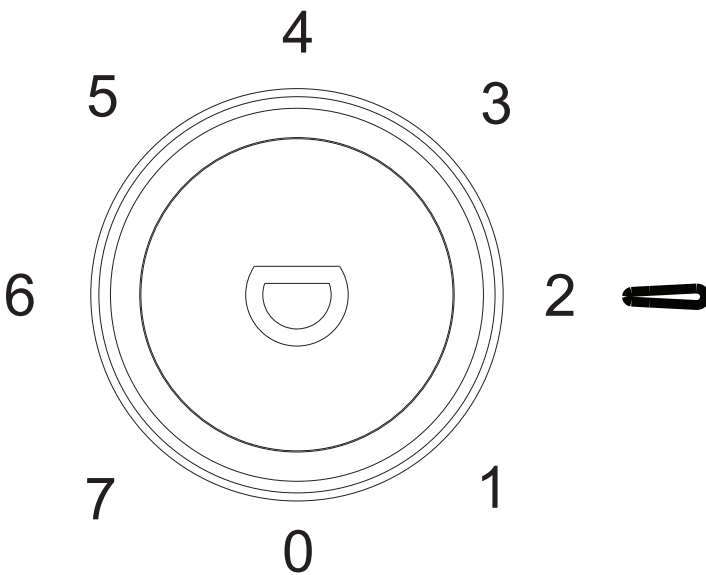


# INSTRUCCIONES DE OPERACIÓN

## CONTROL DE TEMPERATURA

El panel de control del refrigerador está ubicado en el costado del compartimiento del refrigerador.

- Los números más bajos indican ajustes de temperatura más cálidos.
- Los números más altos indican ajustes de temperatura más fríos.
- Cuando se establece en 0, el compresor se apagará.
- Cuando se establece en 7, el compresor funcionará continuamente.
- La configuración recomendada para el uso diario regular es 4.
- Si la temperatura ambiente es superior a 38°C (100°F), el ajuste recomendado es 2 - 4.
- Si la temperatura ambiente es inferior a 16°C (60°F), el ajuste recomendado es 4 - 6.



## LUZ INTERIOR

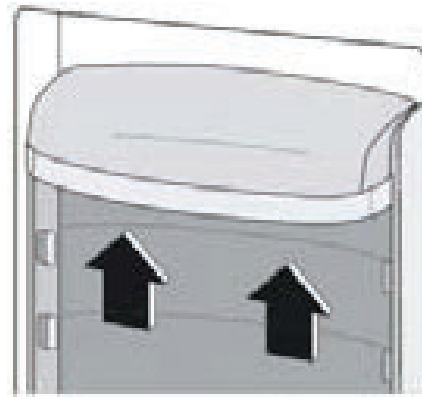
Cualquier reemplazo o mantenimiento de la luz incandescente interior debe ser realizado por el fabricante, su agente de servicio o una persona calificada similar.

## ESTANTERÍA

Las paredes del armario frigorífico están equipadas con una serie de guías para que los estantes se puedan colocar como se desee.

No hay cerraduras ni mecanismos de retención, retire un estante tirando de él hasta el final y vuelva a colocarlo en las guías deseadas.

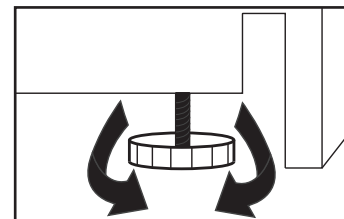
La puerta del refrigerador está equipada con dos estantes que se pueden ajustar en altura. Para quitar un estante de la puerta, empuje suavemente hacia arriba pero hacia abajo. Vuelva a colocar según sea necesario y empuje hacia abajo para bloquear en su lugar.



## INSTRUCCIONES DE NIVELACIÓN

Hay una pata ajustable en la parte inferior del aparato que se puede subir o bajar para asegurarse de que el aparato esté nivelado.

1. Gire la pierna de nivelación en el sentido de las agujas del reloj hasta el tope, hasta que la parte superior del pie toque la parte inferior del chasis.
2. Gire lentamente la pierna de nivelación en el sentido de las agujas del reloj hasta que el aparato esté nivelado.

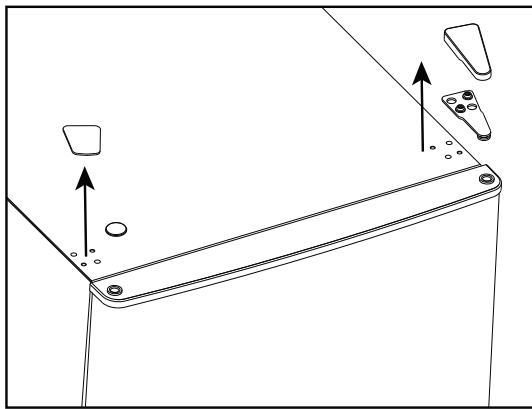


# INSTRUCCIONES DE OPERACIÓN

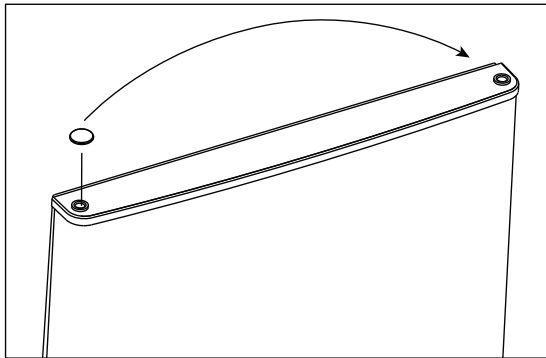
## INSTRUCCIONES DE INVERSIÓN DE PUERTA

Si el aparato se coloca boca arriba o de costado durante un período de tiempo durante este proceso, debe dejarlo en posición vertical durante 6 horas antes de enchufarlo para evitar daños a los componentes internos.

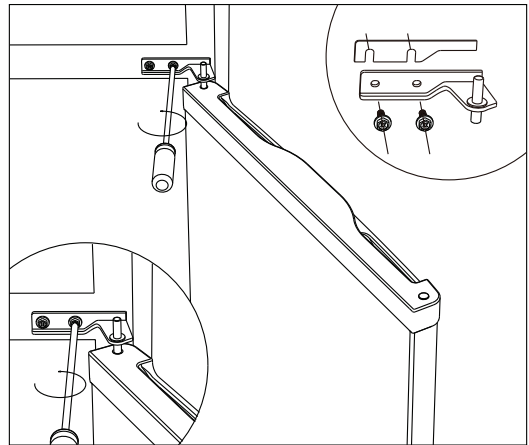
1. Retire la placa de cubierta en el lado superior izquierdo del gabinete. Retire la cubierta de las bisagras y la bisagra superior del lado superior derecho del gabinete. Retire la puerta del congelador del gabinete.



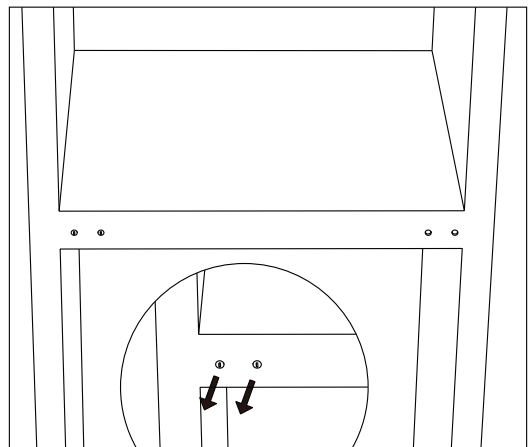
2. Quite la cubierta del orificio de la bisagra del lado superior izquierdo de la puerta e instálela en el lado superior derecho de la puerta.



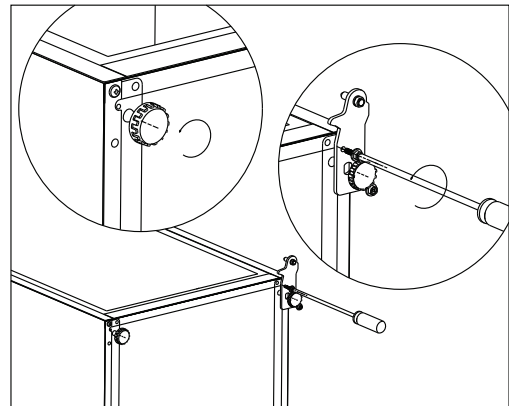
3. Retire la bisagra central. Retire la puerta del frigorífico del armario.



4. Retire las cubiertas de los orificios de los tornillos del lado izquierdo del gabinete e instálelas en el lado derecho del gabinete.

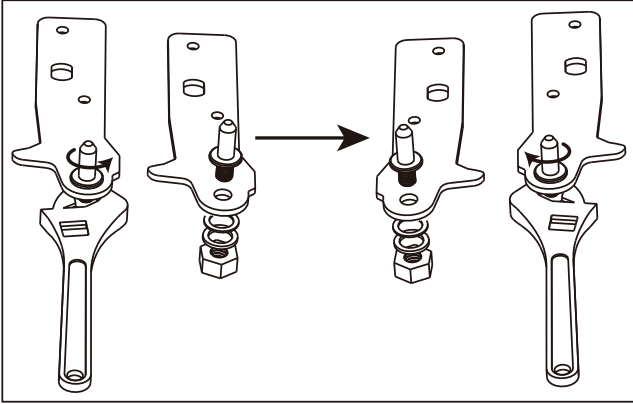


5. Quite el pie ajustable del lado inferior izquierdo del gabinete. Retire la bisagra del lado inferior derecho del gabinete.

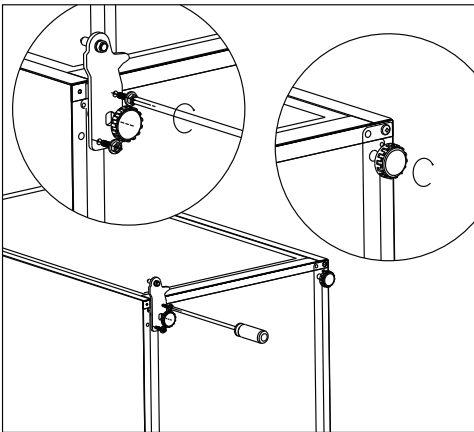


# INSTRUCCIONES DE OPERACIÓN

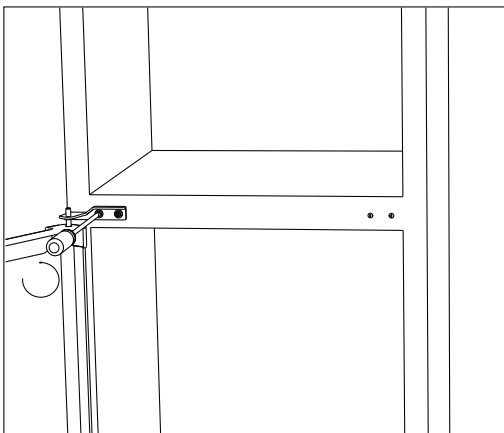
6. Desatornille y retire el pasador de la bisagra inferior, dé la vuelta a la bisagra y vuelva a instalarla en el otro lado.



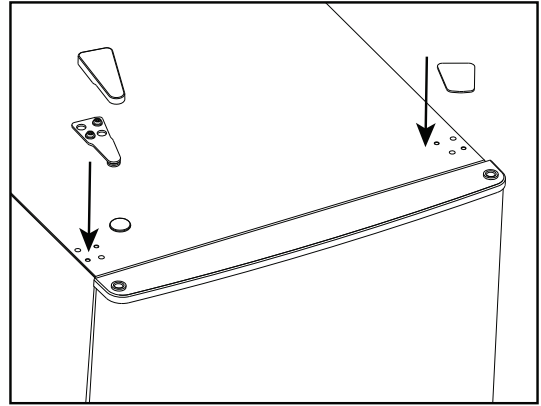
7. Instale la bisagra inferior en el lado inferior izquierdo del gabinete. Instale el pie ajustable en el lado inferior derecho del gabinete.



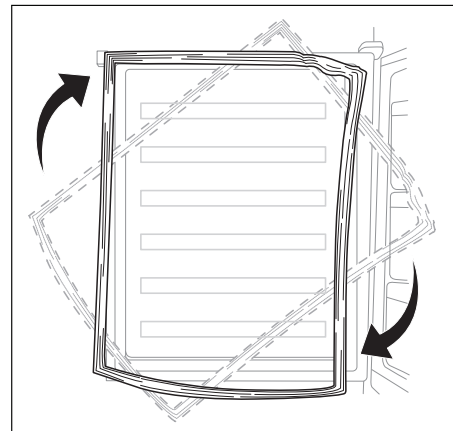
8. Instale la puerta en el gabinete. Instale la bisagra central.



9. Instale la puerta del congelador en el gabinete. Instale la bisagra superior en el lado superior izquierdo del gabinete. Instale la placa de cubierta en el lado superior derecho del gabinete.



10. Separe las juntas de las puertas del refrigerador y del congelador, gírelas 180° y luego vuelva a instalarlas.



# CUIDADO Y MANTENIMIENTO

## LIMPIEZA

Asegúrese de que la unidad esté desenchufada antes de limpiar cualquier parte del aparato.

- Para limpiar el interior del aparato, utilice un paño suave y una solución de una cucharada de bicarbonato de sodio a un litro de agua o una solución de jabón suave o algún detergente suave.
- Lave los estantes removibles en una solución de detergente suave, luego seque y limpie con un paño suave.
- Limpie el exterior con un paño suave y húmedo y un poco de detergente suave.
- Es importante mantener el área limpia donde la puerta sella contra el gabinete. Limpie este área con un paño jabonoso. Enjuague con un paño húmedo y deje secar.

**Nota:** No utilice limpiadores que contengan amoníaco o alcohol en el aparato. El amoníaco o el alcohol pueden dañar el aspecto del aparato. Nunca utilice limpiadores comerciales o abrasivos ni objetos afilados en ninguna parte del aparato.

## FALLO DE ALIMENTACIÓN

La mayoría de las fallas de alimentación se corrigen en pocas horas y no deben afectar la temperatura de su aparato si minimiza el número de veces que se abre la puerta. Si la alimentación va a estar apagada por un período de tiempo más largo, tome las medidas apropiadas para proteger su contenido.

**Nota:** Espere de 3 a 5 minutos antes de intentar reiniciar el refrigerador si se ha interrumpido la operación.

## VACACIONES

- **Vacaciones cortas:** Deje el aparato en funcionamiento durante las vacaciones de menos de tres semanas.
- **Largas vacaciones:** Si el aparato no se va a utilizar durante varios meses, retire todos los artículos y apague el aparato. Limpie y seque el interior a fondo. Para evitar el olor y el moho, deje la puerta ligeramente abierta, bloqueándola si es necesario.

## INSTRUCCIONES DE DESCONGELACIÓN

No hay necesidad de descongelar el compartimiento del refrigerador ya que cualquier acumulación de hielo en la pared posterior se descongelará automáticamente. El agua de descongelación del compartimiento del refrigerador se canaliza en una bandeja de goteo sobre el compresor. La transferencia de calor del compresor hace que el agua se evapore.

El congelador se descongelará siempre que la escarcha alcance 3 a 5 mm de espesor. Para descongelar el congelador, coloque el termostato en "OFF", desenchufe el aparato y retire todo el contenido congelado. Deje la puerta del congelador abierta para permitir que la escarcha se derrita. Deseche el agua derretida y deje la puerta abierta hasta que el interior del congelador esté seco.

Recuerde proteger sus pisos durante el proceso de descongelación poniendo toallas o una sartén bajo el aparato en caso de fugas.

**Importante:** No utilice nunca instrumentos afilados o puntiagudos para quitar el hielo. El congelador contiene líneas de gas refrigerado. Si estas líneas se perforan accidentalmente hará que el refrigerador inoperable y anular la garantía del fabricante. No permita que el refrigerador continúe funcionando si el compartimiento del congelador está perforado.

## MUDARSE

- Quite todo el contenido.
- Gire las patas ajustables para evitar daños.
- Cinta la puerta cerrada.
- Asegúrese de que el aparato permanezca en posición vertical durante el transporte. Proteja el exterior del aparato con una manta.
- Si el aparato se coloca en su parte posterior o lateral durante el transporte, al llegar al destino, déjelo en posición vertical durante 6 horas antes de enchufarlo para evitar daños a los componentes internos.

## DISPOSICIÓN

Este aparato no puede ser tratado como un residuo doméstico normal, sino que debe ser llevado al punto de recogida de residuos apropiado para el reciclaje de componentes eléctricos. Para obtener información sobre los puntos de recogida de residuos locales, póngase en contacto con la agencia local de eliminación de residuos o con la oficina gubernamental.

## PREGUNTAS FRECUENTES

### ¿Cuáles son las potencias y amperios estándar que se utilizan?

Esta información se puede encontrar en la placa de clasificación ubicada en la parte posterior del gabinete.

### ¿Cuánto cuesta hacer funcionar el congelador?

Consulte la tarjeta de energía que se encuentra en la parte frontal del aparato o vaya a [www.danby.com](http://www.danby.com) y visite la página del producto correspondiente para encontrar una copia de la tarjeta de energía.

### ¿Puedo usar un cable de extensión?

No, no se puede usar un cable de extensión.

### Tengo problemas para abrir la puerta; ¿por qué?

La puerta del frigorífico puede resultar difícil de abrir inmediatamente después de cerrarla. Esto es normal y se debe a la diferencia de presión entre el interior frío del frigorífico y el aire caliente que acaba de entrar al frigorífico cuando se abrió. La presión se igualará en unos minutos.

### Tenía mi refrigerador de lado para llevarlo a casa. ¿Tengo que dejarlo reposar? ¿Y por cuánto tiempo?

Sí, déjelo en posición vertical durante 6 horas antes de enchufarlo.

### El frigorífico huele a plástico nuevo. ¿Cómo hago para que desaparezca?

Es común que los electrodomésticos nuevos tengan un ligero olor a plástico. Asegúrese de haber retirado todo el material de embalaje del frigorífico. Limpie el interior del gabinete siguiendo las instrucciones de limpieza incluidas en el manual del propietario. Una vez completado, coloque una caja abierta de bicarbonato de sodio en el refrigerador para absorber cualquier olor restante.

### ¿Cómo configuro la temperatura?

Esto varía según el modelo:

- Si el dial de su termostato tiene una línea azul graduada, la parte más delgada de la línea indica temperaturas más cálidas y la parte más gruesa de la línea indica temperaturas más frías.
- Si el dial de su termostato tiene puntos, los puntos más pequeños indican temperaturas más cálidas y los puntos más grandes indican temperaturas más frías.
- Si el dial de su termostato tiene números, los números más pequeños indican temperaturas más cálidas y los números más grandes indican temperaturas más frías.

## **SOLUCIÓN SUGERIDA**

### **No funciona**

- Es posible que se haya fundido un fusible o que se haya disparado el disyuntor
- El enchufe no está completamente insertado en el tomacorriente de pared

### **La temperatura interna no es lo suficientemente fría**

- El ajuste de temperatura es demasiado cálido
- La puerta no se cierra correctamente o se abre excesivamente
- Recientemente se agregó una gran cantidad de comida caliente al gabinete.
- Muy cerca de una fuente de calor o luz solar directa.
- La temperatura ambiente o la humedad es muy alta

### **El refrigerador funciona continuamente**

- El ajuste de temperatura es demasiado frío
- La puerta no se cierra correctamente o se abre excesivamente
- Recientemente se agregó una gran cantidad de comida caliente al gabinete.
- Muy cerca de una fuente de calor o luz solar directa.
- La temperatura ambiente o la humedad es muy alta

### **El frigorífico hace un gorgoteo cuando está en funcionamiento**

- Este ruido es completamente normal. El refrigerante dentro del aparato emitirá un gorgoteo cuando cambie de líquido a gas y viceversa.

## GARANTÍA LIMITADA "A DOMICILIO"

Este producto de calidad está garantizado contra defectos de fabricación, incluyendo partes y mano de obra, siempre y cuando la unidad se utilice bajo las condiciones normales de funcionamiento para las que fue diseñado. Esta garantía está solamente disponible para la persona que haya comprado originalmente esta unidad directamente de Danby Products Limited (Canada) o Danby Products Inc. (U.S.A.) (en adelante "Danby") o uno de sus distribuidores autorizados, y no es transferible.

### CONDICIONES DE LA GARANTÍA

Las piezas plásticas, se autorizan por treinta (30) días solamente a partir de la fecha de la compra, sin las extensiones proporcionadas.

**Primeros 12 meses** Durante los primeros **doce (12) meses**, cualquier parte en buen estado de este producto que resulte defectuosa, incluyendo cualquier sistema sellado, será reparado o reemplazado, a opción del fabricante, sin cargo para el comprador ORIGINAL.

**Para obtener servicio** Comuníquese con el distribuidor donde haya comprado la unidad, o llame al Taller de Servicio Autorizado más cercano, donde debe ser reparada por un técnico calificado. Si esta unidad es reparada en otro lugar que no sea un Taller de Servicio Autorizado, o si la unidad se utiliza para aplicaciones comerciales, Danby no se hará responsable de ninguna forma y la garantía será anulada.

**Límites del servicio técnico a domicilio** Danby se reserva el derecho de limitar la cobertura de "Servicio en Domicilio" sujeto a la proximidad de un **Taller de Servicio Autorizado**. Para todo artefacto que requiera servicio fuera del área limitada de "Servicio en Domicilio", el cliente será responsable por transportar dicho artefacto hasta el Taller de Servicio Autorizado más cercano. Si el electrodoméstico está instalado en un lugar que se encuentra a **100 kilómetros (62 millas)** o más del centro de servicios más cercano, se debe llevar la unidad al Centro de servicios Danby autorizado más cercano, ya que dicho servicio sólo puede realizarlo un técnico calificado y certificado por Danby para prestar servicios de garantía.

Los cargos por transporte desde y hacia el lugar en que se efectúe el servicio técnico no están cubiertos por esta garantía y son de responsabilidad del comprador.

Nada dentro de esta garantía implica que Danby será responsable por cualquier daño que hayan sufrido los alimentos u otros contenidos de este aparato, ya sea debido a un defecto del aparato, o su uso, adecuado o inadecuado.

### EXCLUSIONES

Salvo lo aquí indicado por Danby, no existen otras garantías, condiciones o representaciones, explícitas o implícitas, concretas o intencionales por parte de Danby o sus distribuidores autorizados y todas las demás garantías, condiciones o representaciones, incluyendo cualquier garantía, condiciones o representaciones bajo cualquier Acta de Venta de Productos o legislación o estatuto similar, quedan de esta forma expresamente excluidas. **Salvo lo aquí indicado, Danby no serán responsables por ningún daño a personas o bienes, incluyendo la propia unidad, sin importar su causa, o de ningún daño indirecto causado por el desperfecto de la unidad, y al comprar esta unidad, el comprador acepta por la presente, indemnizar y proteger a Danby contra cualquier reclamo por daños a personas o bienes causados por la unidad.**

### CONDICIONES GENERALES

No se considerará ninguna de estas garantías o seguros cuando el daño o la necesidad de reparación sea el producto de los siguientes casos:

- 1) Falla del suministro eléctrico.
- 2) Daños en tránsito o durante el transporte de la unidad.
- 3) Alimentación incorrecta, como bajo voltaje, instalación eléctrica defectuosa o fusibles inadecuados.
- 4) Accidente, modificación, abuso o uso incorrecto del artefacto, tal como insuficiente ventilación del ambiente o condiciones de operación anormales (temperatura ambiente extremadamente alta o baja).
- 5) Utilización comercial o industrial (v.g., si el electrodoméstico no está instalado en una vivienda particular).
- 6) Incendio, daños por agua, robo, guerra, disturbios, hostilidades, actos de fuerza mayor como huracanes, inundaciones, etc.
- 7) Pedidos de servicio debido a desinformación del usuario.
- 8) Instalación inadecuada (v.g., instalación empotrada de un electrodoméstico diseñado como unidad independiente o uso de un electrodoméstico al aire libre que no esté aprobado para dicho fin, incluyendo pero no limitado a: garajes, patios, porches o en cualquier lugar que no esté bien aislado o controlado por el clima).

Se requerirá una prueba de la fecha de compra para reclamaciones de garantía; Retener las facturas de venta. En el caso de que se requiera servicio de garantía, presente el comprobante de compra a nuestro depósito de servicio autorizado.

**Servicio de Garantía**  
Servicio en Domicilio

Danby Products Limited  
PO Box 1778, Guelph, Ontario, Canada N1H 6Z9  
Telephone: (519) 837-0920 FAX: (519) 837-0449

**1-800-263-2629**  
04/17

Danby Products Inc.  
PO Box 669, Findlay, Ohio, U.S.A. 45840  
Telephone: (419) 425-8627 FAX: (419) 425-8629



Danby Products Limited, Guelph, ON, Canada N1H 6Z9  
Danby Products Inc., Findlay, Ohio, USA 45840