



OWNER'S MANUAL  
MANUEL DU PROPRIÉTAIRE  
MANUAL DEL PROPIETARIO



|   |                |
|---|----------------|
| <b>DEHUMIDIFIER</b><br>Owner's Manual.....              | <b>1 - 9</b>   |
| <b>DÉSHUMIDIFICATEUR</b><br>Manuel du propriétaire..... | <b>10 - 18</b> |
| <b>DESHUMIDIFICADOR</b><br>Manual del propietario.....  | <b>19 - 27</b> |

|                                |
|--------------------------------|
| <b>MODEL • MODÈLE • MODELO</b> |
| <b>DDR050BLPBDB</b>            |

# Welcome

Welcome to the Danby family. We are proud of our quality products and we believe in dependable service. We suggest that you read this owner's manual before plugging in your new appliance as it contains important operation information, safety information, troubleshooting and maintenance tips to ensure the reliability and longevity of your appliance.

Visit [www.Danby.com](http://www.Danby.com) to access self service tools, FAQs and much more. For additional assistance call **1-800-263-2629**.

**Note the information below; you will need this information to obtain service under warranty.**

**You must provide the original purchase receipt to validate your warranty and receive service.**

**Model Number:** \_\_\_\_\_

**Serial Number:** \_\_\_\_\_

**Date of Purchase:** \_\_\_\_\_

## Need Help?

Before you call for service, here are a few things you can do to help us serve you better.

**Read this owner's manual:**

It contains instructions to help you use and maintain your appliance properly.

**If you receive a damaged appliance:**

Immediately contact the retailer or builder that sold you the appliance.

**Save time and money:**

Check the troubleshooting section at the end of this manual before calling. This section will help you solve common problems that may occur.



1-800-26- Danby  
(1-800-263-2629)



## Important Safety Information

### READ AND FOLLOW ALL SAFETY INSTRUCTIONS

#### SAFETY REQUIREMENTS

This appliance is not intended for use by persons (including children) whose physical, sensory or mental capabilities may be different or reduced, or who lack experience or knowledge, unless such persons receive supervision or training to operate the appliance by a person responsible for their safety.

Children should be supervised to ensure that they do not play with the appliance.

To avoid risk of electric shock, do not operate this dehumidifier in an area that is likely to accumulate standing water. If this condition develops, disconnect the power supply before stepping into the water.

Do not store or use combustible materials such as gasoline or other flammable vapors or liquids in the vicinity of this or any other appliance.

Do not insert fingers or other objects into grills or openings in the appliance.

Do not cover or block the intake and exhaust openings.

Do not operate the appliance without the filter installed.

Do not operate the appliance near heat sources.

This appliance is intended for indoor, residential applications only. Do not use this dehumidifier outdoors. Do not use this dehumidifier for commercial or industrial applications.

#### GROUNDING INSTRUCTIONS

This appliance must be grounded. Grounding reduces the risk of electrical shock by providing an escape wire for the electrical current.

This appliance has a cord that has a grounding wire with a 3-prong plug. The power cord must be plugged into an outlet that is properly grounded. If the outlet is a 2-prong wall outlet, it must be replaced with a properly grounded 3-prong wall outlet. The serial rating plate indicates the voltage and frequency the appliance is designed for.

**WARNING** - Improper use of the grounding plug can result in a risk of electric shock. Consult a qualified electrician or service agent if the grounding instructions are not completely understood, or if doubt exists as to whether the appliance is properly grounded.

**Do not connect the appliance to extension cords, adapters or together with another appliance in the same wall outlet.**

Do not splice the power cord. Do not under any circumstances cut or remove the third ground prong from the power cord.

If the power supply cord is damaged, it must be replaced by the manufacturer, its service agent or similar qualified person in order to avoid hazard.

**SAVE THESE INSTRUCTIONS!**

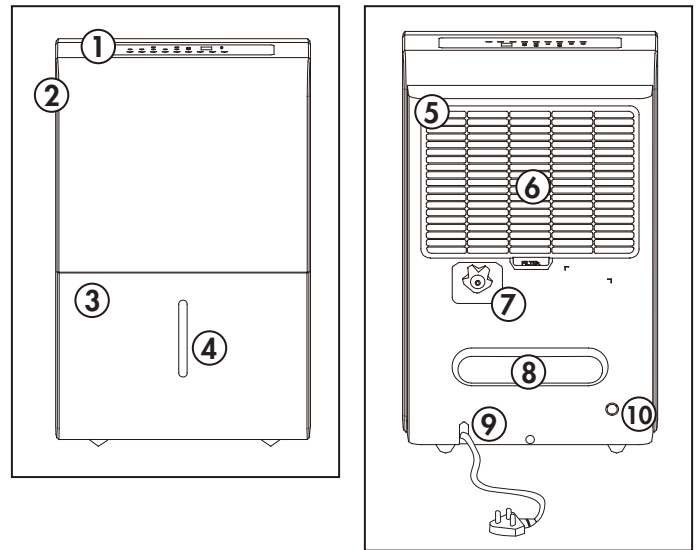
# OPERATING INSTRUCTIONS

## OPERATION

- Place the dehumidifier on a smooth, level floor that is strong enough to support the appliance with a full bucket of water.
- Do not place the dehumidifier on carpeting as this can block air flow around the appliance.
- Do not force casters to move over carpeting as the appliance can become unbalanced and spill water.
- To maintain efficiency, operate the appliance in an enclosed area. Keep nearby doors and windows closed.
- Maintain a minimum clearance of 20 cm (8 inches) on the sides and back of the appliance and 40 cm (16 inches) on the top and front of the appliance to allow for proper air circulation.
- The recommended ambient operating temperature is between 5°C (41°F) and 32°C (90°F).
- Any time the appliance is placed on its back or side, it must be allowed to stand upright for 6 hours before plugging in to avoid damage to internal components.
- The default humidity setting is 40% and high fan speed. Depending on humidity conditions the dehumidifier may not start automatically under the default setting. This means the humidity in the surrounding air is less than 40%. Press the down button to lower the set humidity until the set humidity is lower than the ambient humidity.
- For optimal performance, ensure that the humidity setting is 10% lower than the ambient humidity. It is normal for the ambient humidity to vary up to 5% above or below the set humidity.
- It is recommended in normal conditions to set the humidity between 40-45%.
- It is normal for the dehumidifier to exhaust warm air from the top.

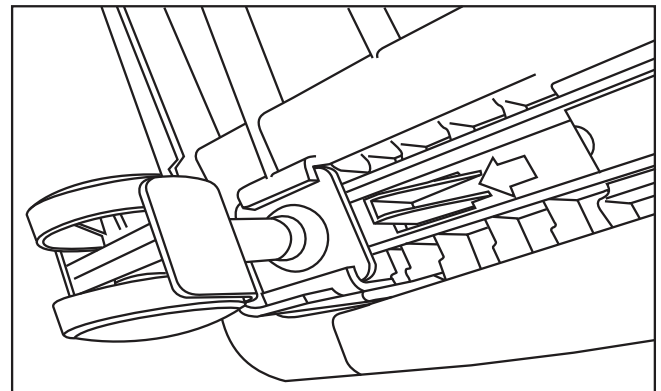
## FEATURES

1. Control panel
2. Handles (both sides)
3. Water bucket
4. Water level indicator
5. Air intake
6. Air filter
7. Continuous drain outlet
8. Power cord storage band
9. Power cord
10. Pump drain outlet



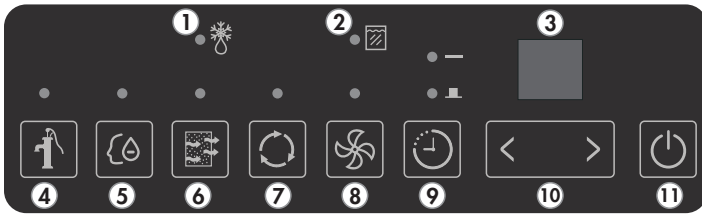
## CASTER INSTALLATION

1. Remove the casters from the bucket of the dehumidifier.
2. Locate the arrow on the bottom of the dehumidifier and insert the caster according to the arrow direction.
3. Slide the caster in as far as it will go, until it snaps into place.



# OPERATING INSTRUCTIONS

## CONTROL PANEL



- 1. Auto-defrost:** When frost builds on the evaporator coils, the compressor will cycle off and the fan will continue to run until the frost disappears.
- 2. Bucket Full Light:** The light will illuminate when the bucket is full or incorrectly positioned inside the cabinet. The compressor and fan operation are terminated as a safety feature. When the bucket is emptied or correctly re-positioned the dehumidifier will resume operation automatically.
- 3. Display:** Shows the actual ( $\pm 5\%$  accuracy) room humidity level in a range of 30% RH to 90% RH. Otherwise, displays selection when programming humidity or timer.
- 4. Drain Pump Button:** Connect the provided drain hose and press this button to activate the drain pump. The pump light will illuminate.
- 5. Smart Dehumidify:** This function will automatically adjust the humidity level with the fluctuating room temperatures. The humidity level cannot be adjusted in this setting, it will stabilize between 45% - 55%.
- 6. Filter Button:** The check filter light will illuminate after 250 hours of operation as a reminder to clean the filter. To reset this function after cleaning the filter, press the filter button and the light will go off.
- 7. Continuous Button:** Press to activate the continuous dehumidifying operation.
- 8. Fan button:** Controls the fan speed. Press to select either high or normal fan speed. The light will illuminate on high fan speed.
- 9. Timer Button:** Press to initiate the auto-start and auto-stop feature. Set a start or stop time from 0.0 to 24 hours using the ( $\triangleright$ ) and ( $\triangleleft$ ) keys.
- 10. ( $\triangleleft$  /  $\triangleright$ ) Buttons:** The humidity level can be set within a range of 35% to 85% relative humidity in 5% increments. For drier air, press the ( $\triangleleft$ ) button and set to a lower percentage value. For more damp air, press the ( $\triangleright$ ) button and set a higher percentage value.
- 11. Power Button:** Press to turn the dehumidifier on or off.

## TIMER FUNCTION

### Auto Off Function

1. When the appliance is turned on, press the timer button to activate the auto-stop timer. The auto-stop light will illuminate.
2. Press the up and down buttons to change the set time in 0.5 hour increments up to 10 hours and then in 1 hour increments up to 24 hours.
3. Press the timer button to confirm programming.

### Auto On Function

4. When the appliance is turned off, press the timer button to activate the auto-start timer. Set the time as per the instructions above. Press the timer button again to confirm programming.

The auto on and auto off functions can be used at the same time by first setting one and then the other. Both indicator lights will illuminate and the display will count down to the appliance either turning off or on, whichever function was set first.

**Note:** The timer will not cycle the appliance on and off indefinitely. The auto on and auto off timers will function one time and then the appliance will return to regular functioning.

Turning the appliance on or off at any time or changing the timer setting to 0.0 will cancel the timer settings.

## MEMORY AND AUTO RESTART SETTINGS

Each time the appliance is disconnected or reconnected or in the event of a power failure, the appliance will default to the last program setting that was used.

If the appliance shuts off unexpectedly due to a power failure, it will restart with the previous settings automatically once power resumes.

# OPERATING INSTRUCTIONS

## WATER REMOVAL

There are two ways to remove collected water from the appliance.

### 1. Water Bucket

The dehumidifier will automatically collect condensed water in the water bucket. When the bucket is full or displaced inside the unit, the float actuator inside the bucket breaks contact with the safety switch. The compressor will shut down, preventing moisture from being condensed. The fan will continue to run for approximately 2-3 minutes. Water may drip onto the base of the appliance and onto the floor. Make sure to protect flooring when emptying the water bucket.

Never tamper with or attempt to defeat the water level float system. Proper installation of the water bucket is crucial in maintaining reliable operation.

To empty the bucket, gently remove it from the appliance by gripping both sides and pulling outward. Be cautious when removing the bucket, it will be full and can be heavy.

Do not place the water bucket directly on the floor. The bottom of the bucket is uneven and it will fall over and spill water.

Empty the bucket and replace it in the appliance. The dehumidifier will not function without the bucket installed.

The bucket should be cleaned every few weeks to prevent mold growth. Only use mild detergent to clean the bucket; do not use harsh chemicals or bleach.

### 2. Continuous Drain

Water can be removed from the appliance using the continuous drain and a standard garden hose (not provided).

Before using any automatic drain functions, check that all drain ports are clean and free of debris. There are either one or two drain ports inside the bucket compartment of the appliance, remove the bucket to see them. There are one or two drain ports on the back of the appliance where the drain hoses attach. All drain ports should be cleaned with a pipe cleaner prior to use.

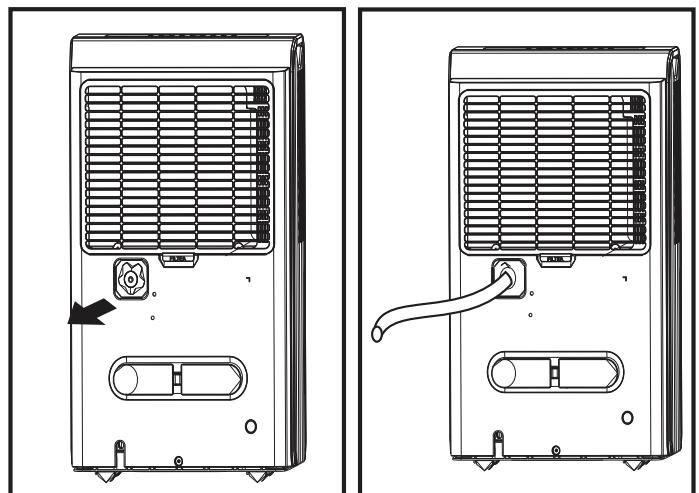
**Note:** Do not clean the drain ports with anything more rigid than a pipe cleaner as this can damage the appliance.

**Note:** If the drain ports are clogged or dirty it can cause water to leak from the bottom of the appliance.

Remove the cover from the continuous drain outlet and attach the female threaded end of the garden hose to the back of the appliance. Direct the other end of the garden hose to a bucket or floor drain.

Ensure that the garden hose is not bent and goes straight down from the back of the appliance. The continuous drain is only activated by gravity so any bends or upward motion in the hose will stop the water from draining.

The garden hose should be cut so that it is no more than 1.8 m (6 feet) long. If the drain hose is too long water may not drain completely which can lead to stagnant water and mildew build up inside the hose.

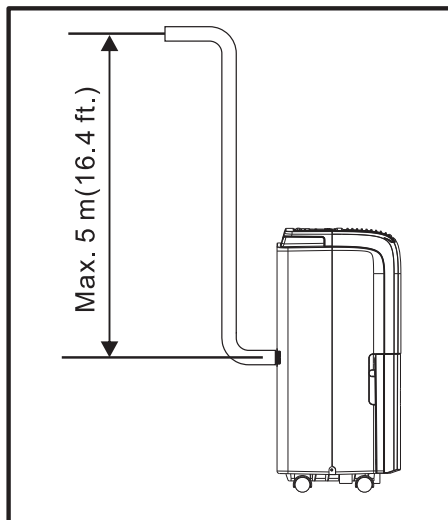
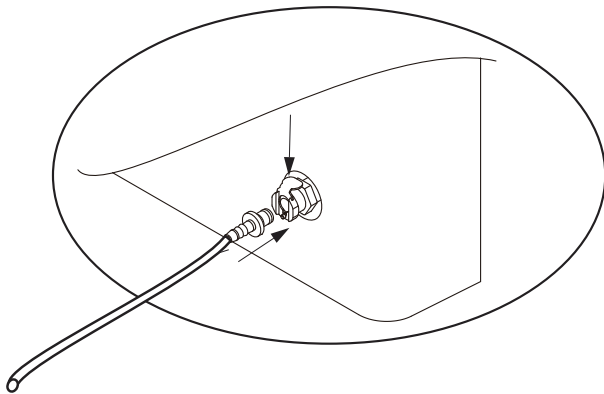


# OPERATING INSTRUCTIONS

## 3. Pump Drain

In situations where the drain hose cannot reach a floor drain or if the drain hose needs to reach a receptacle that is above the level of the appliance, water can be drained from the appliance using the pump.

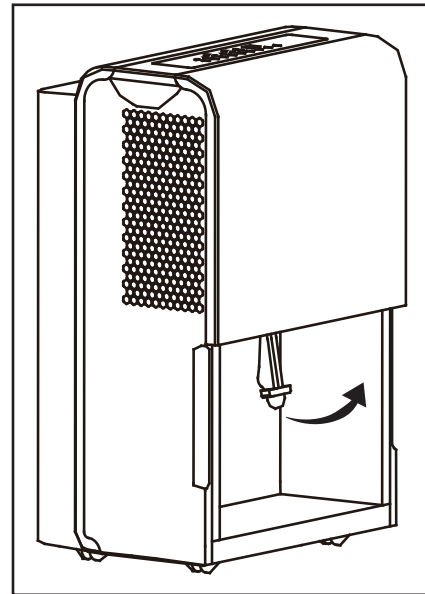
1. Remove the cap on the pump drain port on the back of the appliance.
2. Connect the provided drain hose to the drain port.
3. Ensure that there are no bends in the drain hose.
4. Press the pump button to initiate the pump drain.
5. The maximum length of the pump drain hose is 5 m (16 feet).



## INTERNAL PUMP ARM

Inside the appliance there is a pump arm that will draw water out of the bucket and then drain it out through the drain hose. When replacing the bucket in the appliance after emptying it, ensure that the pump arm has not fallen down or the bucket will not go back into the appliance.

If the pump arm has fallen down, gently push it up toward the top of the unit until it clicks into place.



**Note:** The pump will only become active once the bucket is full of water.

As the dehumidifier removes water from the air, the water will first fill the bucket. When the bucket is full, the pump arm will drop into the bucket and remove as much water as it can reach. The water will drain through the attached drain hose.

The appliance will continue to function, removing more water from the air and filling the bucket again.



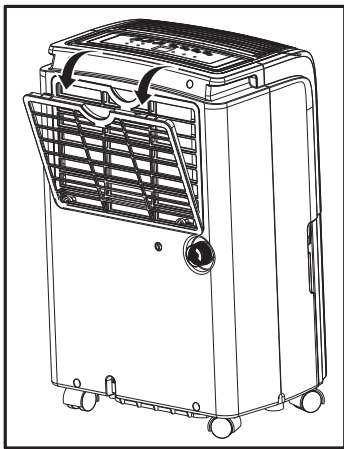
## CARE & MAINTENANCE

### AIR FILTER

The filter indicator will illuminate after 250 hours of use, indicating that the filter should be cleaned.

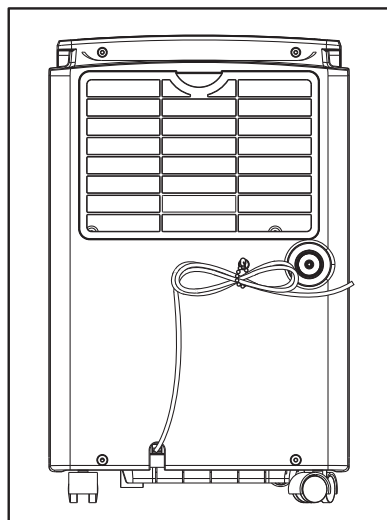
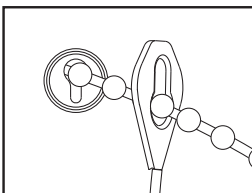
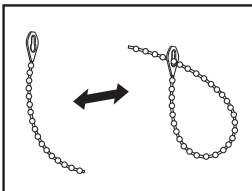
Remove the filter from the back of the appliance. Use a vacuum to remove dust from the filter or wash with warm water and mild detergent. Ensure the filter is completely dry before replacing it in the appliance. Press the filter button to reset the filter indicator.

**Note:** Do not operate the appliance without the air filter installed.



### LONG TERM STORAGE

Ensure that the inside of the appliance is dry before storing for the off season to help avoid the growth of mold or mildew. Ensure the filter is clean and dry. Secure the power cord with the power cord strap as per the image below. Store the appliance upright and covered in a dry location.



### CLEANING

To avoid possible electric shock, ensure that the appliance is unplugged before performing any cleaning or maintenance.

The outside of the appliance can be wiped clean with a soft cloth or with a lukewarm, damp cloth if necessary.

Do not use gasoline, benzene, thinner or any other chemicals to clean this appliance as these substances can cause damage to the finish and deformation of plastic parts.

Never pour water directly onto the appliance as this will cause deterioration of electrical components and wiring insulation.

Ensure that the drain ports on the interior of the appliance and the drain ports on the back of the appliance are free of dirt and calcium build up.

### ERROR CODES

If the display panel shows any of the below error codes, unplug the appliance, let it stand for 5-10 minutes and then plug it back in. If the error persists, call for service.

**AS** - Humidity sensor error

**ES** - Temperature sensor error

**E3** - Control panel error

**P2** or **Eb** - Bucket is full or not in the correct position

### DISPOSAL

This appliance may not be treated as regular household waste, it should be taken to the appropriate waste collection point for recycling of electrical components. Check for local regulatory compliance regarding approved and safe disposal of this appliance.



## TROUBLESHOOTING

**Danby Consumer Care: 1-800-263-2629**

**Hours of operation:**

Monday to Thursday 8:30 am - 6:00 pm Eastern Standard Time

Friday 8:30 am - 4:00 pm Eastern Standard Time

Information in this manual is subject to change without notice.

| <b>PROBLEM</b>                    | <b>POSSIBLE CAUSE</b>   |
|-----------------------------------|---|
| <b>Appliance will not operate</b> | <ul style="list-style-type: none"><li>• Plug is not fully inserted into the wall outlet</li><li>• Blown fuse or circuit breaker</li><li>• Ambient humidity is lower than the set humidity</li><li>• Bucket is full or is not in the proper position</li></ul> |
| <b>Insufficient dehumidifying</b> | <ul style="list-style-type: none"><li>• Air filter is dirty</li><li>• Blocked air flow</li><li>• Appliance size is too small for application</li><li>• Ambient humidity is lower than the set humidity</li></ul>  |
| <b>Noise</b>                      | <ul style="list-style-type: none"><li>• Air filter is dirty</li><li>• Bucket is not in proper position</li><li>• Floor surface is not level</li></ul>   |
| <b>Odors</b>                      | <ul style="list-style-type: none"><li>• Formation of mold or mildew on internal wet surfaces</li><li>• Place an algacide tablet in the water bucket</li></ul>   |
| <b>Water on floor</b>             | <ul style="list-style-type: none"><li>• Hose connection is loose</li><li>• Drain cover has been removed</li></ul>   |
| <b>Frost build up</b>             | <ul style="list-style-type: none"><li>• When ambient temperature is below 5°C (41°F) frost may form</li><li>• Switch the appliance to fan only mode until the frost melts</li></ul>   |

## LIMITED "CARRY IN" WARRANTY

This quality product is warranted to be free from manufacturer's defects in material and workmanship, provided that the unit is used under the normal operating conditions intended by the manufacturer.

This warranty is available only to the person to whom the unit was originally sold by Danby Products Limited (Canada) or Danby Products Inc. (U.S.A.) (hereafter "Danby") or by an authorized distributor of Danby, and is non-transferable.

### TERMS OF WARRANTY

Plastic parts are warranted for thirty (30) days from the date of purchase, with no extensions provided.

**First 24 months** During the first **twenty four (24) months**, any functional parts of this product found to be defective, will be repaired or replaced, at warrantor's option, at no charge to the original purchaser.

**To obtain service** Contact the dealer where the unit was purchased, or contact the nearest authorized Danby service depot, where service must be performed by a qualified service technician. If service is performed on the unit by anyone other than an authorized service depot, all obligations of Danby under this warranty shall be void.

It is the responsibility of the purchaser to transport the appliance to the nearest authorized service depot.

Transportation charges to and from the service location are not protected by this warranty and are the responsibility of the purchaser.

Nothing within this warranty shall imply that Danby will be responsible or liable for any spoilage or damage to food or other contents of this appliance, whether due to any defect of the appliance, or its use, whether proper or improper.

### EXCLUSIONS

Save as herein provided, by Danby, there are no other warranties, conditions, representations or guarantees, express or implied, made or intended by Danby or its authorized distributors and all other warranties, conditions, representations or guarantees, including any warranties, conditions, representations or guarantees under any Sale of Goods Act or like legislation or statute is hereby expressly excluded. Save as herein provided, **Danby shall not be responsible for any damages to persons or property, including the unit itself, howsoever caused or any consequential damages arising from the malfunction of the unit and by the purchase of the unit, the purchaser does hereby agree to indemnify and hold harmless Danby from any claim for damages to persons or property caused by the unit.**

### GENERAL PROVISIONS

No warranty or insurance herein contained or set out shall apply when damage or repair is caused by any of the following:

- 1) Power failure.
- 2) Damage in transit or when moving the appliance.
- 3) Improper power supply such as low voltage, defective house wiring or inadequate fuses.
- 4) Accident, alteration, abuse or misuse of the appliance such as inadequate air circulation in the room or abnormal operating conditions (ie. extremely high or low room temperature).
- 5) Use for commercial or industrial purposes (ie. If the appliance is not installed in a domestic residence).
- 6) Fire, water damage, theft, war, riot, hostility, acts of God such as hurricanes, floods etc.
- 7) Service calls resulting in customer education.
- 8) Improper Installation (ie. Building-in of a free standing appliance or using an appliance outdoors that is not approved for outdoor application, including but not limited to: garages, patios, porches or anywhere that is not properly insulated or climate controlled).

Proof of purchase date will be required for warranty claims; retain bills of sale. In the event that warranty service is required, present the proof of purchase to our authorized service depot.

**Warranty Service**  
Carry In

Danby Products Limited  
PO Box 1778, Guelph, Ontario, Canada N1H 6Z9  
Telephone: (519) 837-0920 FAX: (519) 837-0449

**1-800-263-2629**  
04/17

Danby Products Inc.  
PO Box 669, Findlay, Ohio, U.S.A. 45840  
Telephone: (419) 425-8627 FAX: (419) 425-8629

# Bienvenue

Bienvenue à la famille Danby. Nous sommes fiers de la qualité de nos produits et nous croyons en le service fiable. Nous vous suggérons de lire ce manuel d'utilisation avant de brancher votre nouvel appareil car il contient des informations importantes sur l'utilisation, la sécurité, le dépannage et la maintenance, afin d'assurer la fiabilité et la longévité de votre appareil.

Visitez [www.Danby.com](http://www.Danby.com) pour accéder aux outils d'autoservice, aux FAQ et bien plus encore. Pour obtenir de l'aide supplémentaire, composez **1-800-263-2629**.

**Notez les informations ci-dessous; Vous aurez besoin de cette information pour obtenir un service sous garantie.**

**Vous devez fournir le reçu d'achat original pour valider votre garantie et recevoir le service.**

**Numéro de modèle:** \_\_\_\_\_

**Numéro de serie:** \_\_\_\_\_

**Date d'achat:** \_\_\_\_\_

## Besoin d'assistance?

Avant d'appeler pour service, voici quelques choses que vous pouvez faire pour nous aider à mieux vous servir.

### **Lire ce manuel du propriétaire:**

Il contient des instructions pour vous aider à utiliser et à maintenir votre appareil correctement.

### **Si vous recevez un appareil endommagé:**

Contactez immédiatement le revendeur ou l'entrepreneur qui vous a vendu l'appareil.

### **Gagnez du temps et de l'argent:**

Avant d'appeler pour service, consultez la section de dépannage à la fin de ce manuel. Cette section vous aidera à résoudre les problèmes courants pouvant survenir.



1-800-26- Danby  
(1-800-263-2629)



## Informations importantes de sécurité

### LIRE ET SUIVRE TOUTES LES INSTRUCTIONS DE SÉCURITÉ

#### EXIGENCES DE SÉCURITÉ

Cet appareil n'est pas destiné à être utilisé par des personnes (y compris des enfants) dont les capacités physiques, sensorielles ou mentales peuvent être différentes ou réduites, ou qui n'ont pas d'expérience ou de connaissances, à moins que ces personnes ne soient surveillées ou formées pour faire fonctionner l'appareil par une personne responsable de leur sécurité.

Les enfants devraient être surveillés pour s'assurer qu'ils ne jouent pas avec l'appareil.

Pour éviter tout risque de choc électrique, ne pas utiliser ce déshumidificateur dans une zone susceptible d'accumuler de l'eau stagnante. Si cette condition se développe, débranchez l'alimentation avant de pénétrer dans l'eau.

Ne pas stocker ou utiliser des matériaux combustibles tels que de l'essence ou d'autres vapeurs ou liquides inflammables à proximité de ce ou d'un autre appareil.

Ne pas insérer de doigts ou d'autres objets dans des grilles ou des ouvertures dans l'appareil.

Ne pas couvrir ou bloquer les ouvertures d'admission et d'échappement.

N'utilisez pas l'appareil sans le filtre installé.

N'utilisez pas l'appareil à proximité de sources de chaleur.

Cet appareil est destiné uniquement à des applications résidentielles et intérieures. N'utilisez pas ce déshumidificateur à l'extérieur. N'utilisez pas ce déshumidificateur pour des applications commerciales ou industrielles.

#### INSTRUCTIONS DE MISE À LA TERRE

Cet appareil doit être mis à la terre. La mise à la terre réduit le risque de choc électrique en fournissant un câble d'échappement pour le courant électrique.

Cet appareil possède un cordon doté d'un fil de mise à la terre avec une fiche à 3 broches. Le cordon d'alimentation doit être branché sur une prise correctement mise à la terre. Si la sortie est une prise murale à 2 broches, elle doit être remplacée par une prise murale à 3 broches correctement mise à la terre. La plaque signalétique en série indique la tension et la fréquence auxquelles l'appareil est conçu.

**AVERTISSEMENT** - L'utilisation incorrecte de la fiche de mise à la terre peut entraîner un risque d'électrocution. Consultez un électricien qualifié ou un agent de service si les instructions de mise à la terre ne sont pas complètement comprises, ou s'il existe un doute quant à savoir si l'appareil est correctement mis à la terre.

**Ne branchez pas l'appareil à des rallonges, des adaptateurs ou à un autre appareil dans la même prise murale.**

Ne pas épisser le cordon d'alimentation. Ne coupez ou retirez en aucun cas la troisième broche du cordon d'alimentation.

Si le cordon d'alimentation est endommagé, il doit être remplacé par le fabricant, son agent de maintenance ou une personne qualifiée similaire afin d'éviter tout risque.

**GARDEZ CES INSTRUCTIONS!**

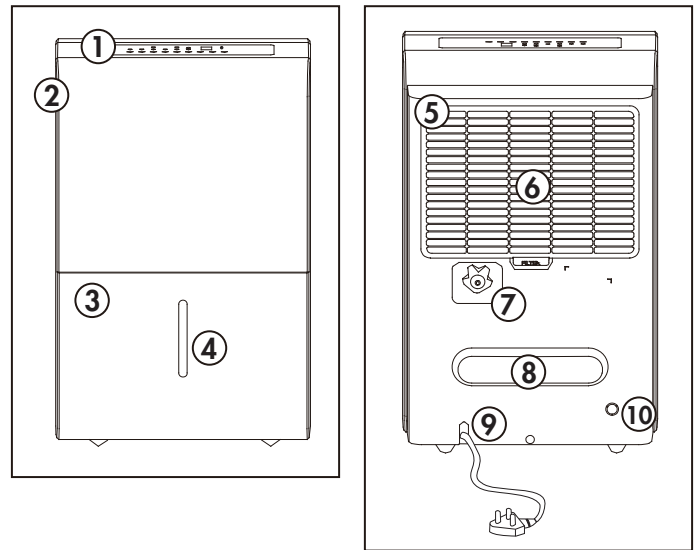
# INSTRUCTIONS D'UTILISATION

## OPÉRATION

- Placez le déshumidificateur sur un sol lisse et horizontal suffisamment solide pour supporter l'appareil avec un seau d'eau plein.
- Ne placez pas le déshumidificateur sur une moquette car cela pourrait bloquer le flux d'air autour de l'appareil.
- Ne forcez pas les roulettes à se déplacer sur les tapis car l'appareil peut devenir déséquilibré et déverser de l'eau.
- Pour maintenir l'efficacité, faites fonctionner l'appareil dans un endroit clos. Gardez les portes et les fenêtres à proximité fermées.
- Conservez un espace minimum de 20 cm (8 pouces) sur les côtés et à l'arrière de l'appareil et de 40 cm (16 pouces) sur le dessus et l'avant de l'appareil pour permettre une circulation d'air adéquate.
- La température ambiante de fonctionnement recommandée est comprise entre 5°C (32°F) et 32°C (90°F).
- Chaque fois que l'appareil est placé sur le dos ou sur le côté, il doit être laissé debout pendant 6 heures avant de le brancher pour éviter d'endommager les composants internes.
- Le réglage d'humidité par défaut est 40% et la vitesse du ventilateur est élevée. Selon les conditions d'humidité, le déshumidificateur peut ne pas démarrer automatiquement avec le réglage par défaut. Cela signifie que l'humidité de l'air ambiant est inférieure à 40%. Appuyez sur le bouton bas pour réduire l'humidité réglée jusqu'à ce que l'humidité réglée soit inférieure à l'humidité ambiante.
- Pour des performances optimales, assurez-vous que le réglage de l'humidité est inférieur de 10% à l'humidité ambiante. Il est normal que l'humidité ambiante varie jusqu'à 5% au-dessus ou en dessous de l'humidité réglée.
- Dans des conditions normales, il est recommandé de régler l'humidité entre 40 et 45%.
- Il est normal que le déshumidificateur évacue l'air chaud du haut.

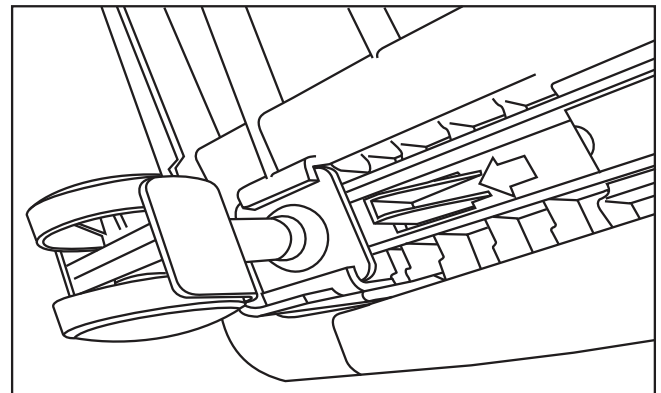
## CARACTÉRISTIQUES

1. Panneau de contrôle
2. Poignées (des deux côtés)
3. Seau d'eau
4. Indicateur de niveau d'eau
5. Sortie d'air
6. Filtre à air
7. Prise de vidange continue
8. Bande de stockage du cordon d'alimentation
9. Cordon d'alimentation
10. Sortie de vidange de pompe



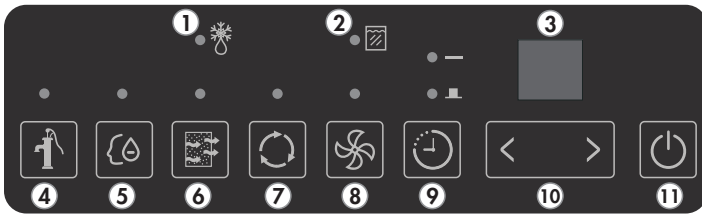
## INSTALLATION DE ROULETTES

1. Retirez les roulettes du seau du déshumidificateur.
2. Localisez la flèche sur le fond du déshumidificateur et insérez la roulette selon la direction de la flèche.
3. Faites glisser la roulette aussi loin que possible, jusqu'à ce qu'elle s'enclenche.



# INSTRUCTIONS D'UTILISATION

## PANNEAU DE CONTRÔLE



- Dégivrage automatique:** Lorsque le givre se forme sur les serpentins de l'évaporateur, le compresseur se désactive et le ventilateur continue à fonctionner jusqu'à ce que le givre disparaisse.
- Seau pleine lumière:** La lumière s'allume lorsque le seau est plein ou mal positionné à l'intérieur de l'armoire. Le fonctionnement du compresseur et du ventilateur est terminé en tant que fonction de sécurité. Lorsque le seau est vidé ou correctement repositionné, le déshumidificateur reprend automatiquement son fonctionnement.
- Affichage:** Affiche le niveau d'humidité de la pièce ( $\pm 5\%$ ) dans une plage de 30% HR à 90% RH. Sinon, affiche la sélection lors de la programmation de l'humidité ou de la minuterie.
- Bouton de pompe de vidange:** Connectez le tuyau de vidange fourni et appuyez sur ce bouton pour activer la pompe de vidange. Le voyant de la pompe s'allume.
- Smart Dehumidify:** Cette fonction permet d'ajuster automatiquement le niveau d'humidité avec les températures ambiantes fluctuantes. Le niveau d'humidité ne peut pas être réglé dans ce réglage, il stabilise entre 45% - 55%.
- Bouton de filtre:** Le voyant de filtre de contrôle s'allume après 250 heures de fonctionnement. Après avoir nettoyé le filtre, appuyez sur le bouton du filtre pour reprendre le fonctionnement normal.
- Bouton continu:** Appuyez pour activer l'opération de déshumidification continue.
- Bouton du ventilateur:** Appuyez pour sélectionner la vitesse normale ou élevée du ventilateur. Le voyant s'allume lorsqu'il est réglé sur la vitesse élevée du ventilateur.
- Bouton Timer:** Appuyez sur ce bouton pour lancer la fonction de démarrage automatique et d'arrêt automatique. Définissez une heure de début ou de fin de 0,0 à 24 heures à l'aide des touches (>) et (<).
- (< / >) Boutons:** Le niveau d'humidité peut être réglé dans une plage de 35% à 85% d'humidité relative par incréments de 5%. Pour l'air plus sec, appuyez sur le bouton (<) et réglez-le sur un pourcentage inférieur. Pour plus d'air humide, appuyez sur le bouton (>) et définissez un pourcentage plus élevé.
- Bouton d'alimentation:** Appuyez pour allumer ou éteindre le déshumidificateur.

## FONCTION DE MINUTERIE

### Fonction d'arrêt automatique

- Lorsque l'appareil est allumé, appuyez sur le bouton de la minuterie pour activer le minuteur d'arrêt automatique. Le voyant d'arrêt automatique s'allume.
- Appuyez sur les boutons haut et bas pour changer la durée réglée par incréments de 0,5 heure jusqu'à 10 heures, puis par incréments de 1 heure jusqu'à 24 heures.
- Appuyez sur le bouton de la minuterie pour confirmer la programmation.

### Fonction d'activation automatique

- Lorsque l'appareil est éteint, appuyez sur le bouton de la minuterie pour activer le minuteur de démarrage automatique. Réglez l'heure selon les instructions ci-dessus. Appuyez à nouveau sur le bouton de la minuterie pour confirmer la programmation.

Les fonctions auto on et auto off peuvent être utilisées en même temps en réglant d'abord l'une puis l'autre. Les deux voyants s'allument et l'affichage compte jusqu'à ce que l'appareil s'allume ou s'éteigne, quelle que soit la fonction réglée en premier.

**Remarque:** La minuterie n'active pas l'appareil indéfiniment. Les minuteries de mise en marche et d'arrêt automatique fonctionneront une fois, puis l'appareil retournera au fonctionnement normal.

Allumer ou éteindre l'appareil à tout moment ou changer le réglage de la minuterie à 0.0 annulera les réglages de la minuterie.

## RÉGLAGES DE MÉMOIRE ET DE REDÉMARRAGE AUTOMATIQUE

Chaque fois que l'appareil est déconnecté ou reconnecté ou en cas de panne de courant, l'appareil utilisera par défaut le dernier réglage de programme utilisé.

Si l'appareil s'éteint de manière inattendue en raison d'une panne de courant, il redémarrera automatiquement avec les réglages précédents une fois que le courant sera rétabli.



# INSTRUCTIONS D'UTILISATION

## ELIMINATION D'EAU

Il existe trois façons d'éliminer l'eau collectée de l'appareil.

### 1. Seau d'eau

Le déshumidificateur récupère automatiquement l'eau condensée dans le seau d'eau. Lorsque le godet est plein ou déplacé à l'intérieur de l'unité, l'actionneur du flotteur à l'intérieur du godet rompt le contact avec l'interrupteur de sécurité. Le compresseur s'arrêtera, empêchant l'humidité de se condenser. Le ventilateur continuera à fonctionner pendant environ 2-3 minutes. De l'eau peut s'égoutter sur la base de l'appareil et sur le sol. Assurez-vous de protéger le revêtement de sol lorsque vous videz le seau d'eau.

Ne jamais altérer ou tenter de vaincre le système de flottement du niveau d'eau. Une installation correcte du seau d'eau est cruciale pour maintenir un fonctionnement fiable.

Pour vider le seau, retirez-le doucement de l'appareil en saisissant les deux côtés et en tirant vers l'extérieur. Soyez prudent lorsque vous enlevez le seau, il sera plein et peut être lourd.

Ne placez pas le seau d'eau directement sur le sol. Le fond du seau est irrégulier et il tombera et déversera de l'eau.

Videz le seau et remplacez-le dans l'appareil. Le déshumidificateur ne fonctionnera pas sans le seau installé.

Le seau doit être nettoyé toutes les quelques semaines pour éviter la croissance de moisissures. Utilisez uniquement un détergent doux pour nettoyer le seau; N'utilisez pas de produits chimiques agressifs ou d'eau de Javel.

### 2. Drain continu

L'eau peut être retirée de l'appareil à l'aide de la vidange continue et d'un boyau d'arrosage standard (non fourni).

Avant d'utiliser des fonctions de vidange automatique, vérifiez que tous les orifices de vidange sont propres et exempts de débris. Il y a un ou deux orifices de vidange à l'intérieur du compartiment à godets de l'appareil, retirez le seau pour les voir. Il y a un ou deux orifices de vidange à l'arrière de l'appareil où les tuyaux de drainage se fixent. Tous les orifices de vidange doivent être nettoyés avec un cure-pipe avant utilisation.

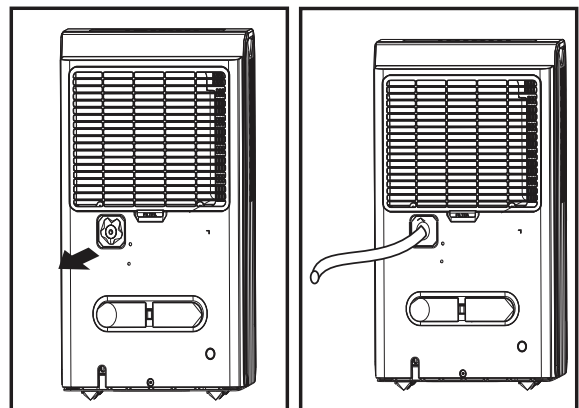
**Remarque:** Ne nettoyez pas les orifices de vidange avec un élément plus rigide qu'un nettoyeur de canalisation car cela pourrait endommager l'appareil.

**Remarque:** Si les orifices de vidange sont obstrués ou sales, l'eau risque de fuir du bas de l'appareil.

Retirez le couvercle de la sortie de vidange continue et fixez l'extrémité fileté femelle du tuyau d'arrosage à l'arrière de l'appareil. Dirigez l'autre extrémité du tuyau d'arrosage vers un seau ou un drain de plancher.

Assurez-vous que le tuyau d'arrosage n'est pas plié et qu'il descend directement de l'arrière de l'appareil. Le drainage continu est uniquement activé par gravité, de sorte que toute flexion ou mouvement ascendant dans le tuyau empêchera l'eau de s'écouler.

Le tuyau d'arrosage doit être coupé de sorte qu'il ne mesure pas plus de 1,8 m (6 pieds) de longueur. Si le tuyau de vidange est trop long, l'eau risque de ne pas s'écouler complètement, ce qui peut entraîner une accumulation d'eau stagnante et de moisissure dans le tuyau.



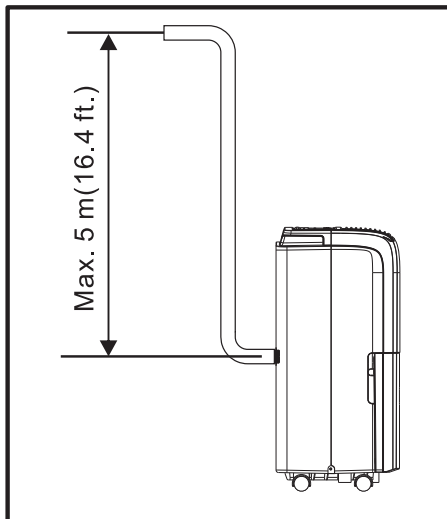
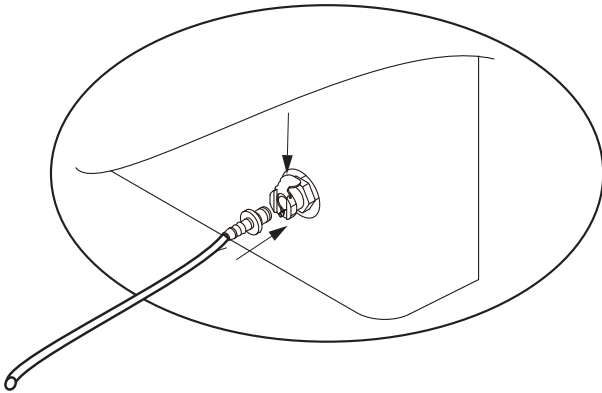


# INSTRUCTIONS D'UTILISATION

## 3. Drain de pompe

Dans les situations où le tuyau de vidange ne peut pas atteindre une vidange au sol ou si le tuyau de vidange doit atteindre un réceptacle au-dessus du niveau de l'appareil, l'eau peut être vidangée de l'appareil en utilisant la pompe.

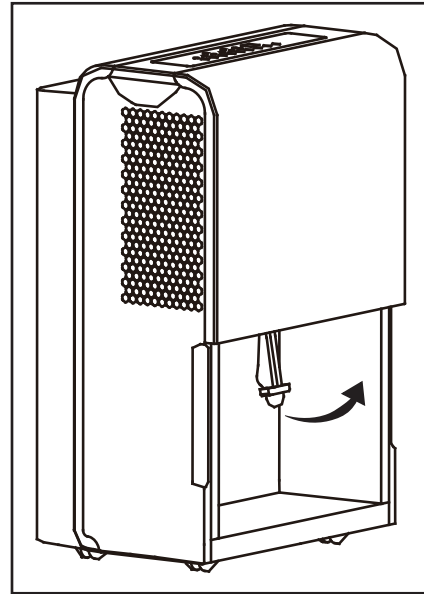
1. Retirez le bouchon du port de vidange de la pompe à l'arrière de l'appareil.
2. Connectez le tuyau de vidange fourni à l'orifice de vidange.
3. Assurez-vous qu'il n'y a pas de coudes dans le tuyau de vidange.
4. Appuyez sur le bouton de la pompe pour lancer la vidange de la pompe.
5. La longueur maximale du tuyau de vidange de la pompe est de 5 m (16 pieds).



## BRAS DE POMPE INTERNE

À l'intérieur de l'appareil, il y a une pompe qui va puiser de l'eau dans le seau, puis l'évacuer par le tuyau de vidange. Lorsque vous remplacez le seau dans l'appareil après l'avoir vidé, assurez-vous que la pompe n'est pas tombée ou que le seau ne retourne pas dans l'appareil.

Si le bras de la pompe est tombé, poussez-le doucement vers le haut de l'appareil jusqu'à ce qu'il s'enclenche.



**Remarque:** La pompe ne deviendra active que lorsque le seau sera rempli d'eau.

Comme le déshumidificateur enlève l'eau de l'air, l'eau remplira d'abord le seau. Lorsque le godet est plein, le bras de la pompe va tomber dans le godet et retirer autant d'eau qu'il peut atteindre. L'eau s'écoulera à travers le tuyau de vidange joint.

L'appareil continuera à fonctionner, en enlevant plus d'eau de l'air et en remplissant le seau encore.

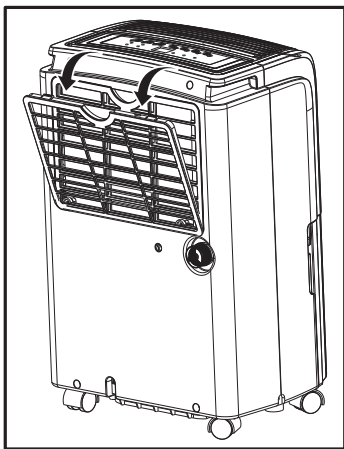
## SOINS ET MAINTENANCE

### FILTRE À AIR

L'indicateur de filtre s'allume après 250 heures d'utilisation, indiquant que le filtre doit être nettoyé.

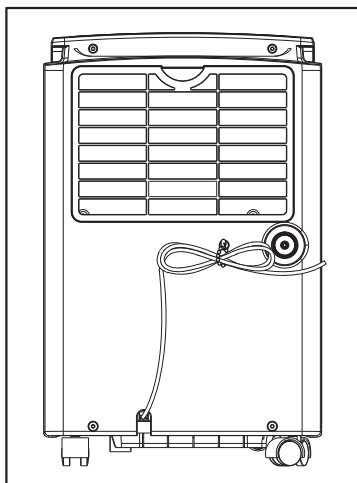
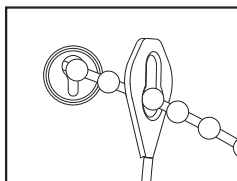
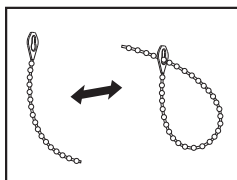
Retirez le filtre à l'arrière de l'appareil. Utilisez un aspirateur pour enlever la poussière du filtre ou lavez avec de l'eau chaude et un détergent doux. Assurez-vous que le filtre est complètement sec avant de le remplacer dans l'appareil. Appuyez sur le bouton du filtre pour réinitialiser l'indicateur de filtre.

**Remarque:** N'utilisez pas l'appareil sans le filtre à air installé.



### STOCKAGE À LONG TERME

Assurez-vous que l'intérieur de l'appareil est sec avant de le stocker pour la saison morte afin d'éviter la croissance de moisissure. Assurez-vous que le filtre est propre et sec. Fixez le cordon d'alimentation à l'aide de la dragonne, conformément à l'illustration ci-dessous. Rangez l'appareil verticalement et couvert dans un endroit sec.



### NETTOYAGE

Pour éviter tout risque d'électrocution, assurez-vous que l'appareil est débranché avant d'effectuer un nettoyage ou une maintenance.

L'extérieur de l'appareil peut être nettoyé avec un chiffon doux ou avec un chiffon tiède et humide si nécessaire.

N'utilisez pas d'essence, de benzène, de diluant ou d'autres produits chimiques pour nettoyer cet appareil car ces substances peuvent endommager l'enduit et la déformation des pièces en plastique.

Ne versez jamais d'eau directement sur l'appareil, car cela entraînera une détérioration des composants électriques et de l'isolation des câbles.

Assurez-vous que les orifices de vidange à l'intérieur de l'appareil et les orifices de vidange à l'arrière de l'appareil sont exempts de saleté et d'accumulation de calcium.

### CODES D'ERREUR

Si le panneau d'affichage affiche l'un des codes d'erreur ci-dessous, débranchez l'appareil, laissez reposer pendant 5 à 10 minutes, puis rallumez-le. Si l'erreur persiste, appelez pour le service.

**AS** - Erreur du capteur d'humidité

**ES** - Erreur du capteur de température

**E3** - Erreur du panneau de contrôle

**P2** ou **Eb** - Le godet est plein ou pas dans la bonne position

### ÉLIMINATION

Cet appareil ne doit pas être considéré comme un ordures ménagères, mais il doit être pris au point approprié de collecte des déchets pour le recyclage des composants électriques. Vérifiez la conformité réglementaire locale concernant l'élimination approuvée et sûre de cet appareil.

## DÉPANNAGE

Danby soins du consommateur: 1-800-263-2629

### Heures d'ouverture:

Lundi à Jeudi 8 h 30 à 18 h, heure normale de l'Est  
Vendredi de 8 h 30 à 16 h, heure normale de l'Est

Les informations contenues dans ce manuel sont sujettes à modification sans préavis.

| PROBLÈME                       | CAUSE POSSIBLE   |
|--------------------------------|--|
| L'appareil ne fonctionnera pas | <ul style="list-style-type: none"><li>• La fiche n'est pas complètement insérée dans la prise murale</li><li>• Fusible soufflé ou disjoncteur</li><li>• L'humidité ambiante est inférieure à l'humidité définie</li><li>• Seau est plein ou pas dans la bonne position</li></ul> |
| Déshumidification insuffisante | <ul style="list-style-type: none"><li>• Le filtre à air est sale</li><li>• Flux d'air bloqué</li><li>• La taille de l'appareil est trop petite pour l'application</li><li>• L'humidité ambiante est inférieure à l'humidité définie</li></ul>                                    |
| Bruit                          | <ul style="list-style-type: none"><li>• Le filtre à air est sale</li><li>• Seau n'est pas en bonne position</li><li>• La surface du plancher n'est pas de niveau</li></ul>   |
| Odeurs                         | <ul style="list-style-type: none"><li>• Formation de moisissure sur des surfaces intérieures humides</li><li>• Placer un comprimé d'algaïcide dans le seau à eau</li></ul>   |
| L'eau sur le sol               | <ul style="list-style-type: none"><li>• Le raccord du tuyau est desserré</li><li>• Le couvercle de drainage a été retiré</li></ul>   |
| Accumulation de givre          | <ul style="list-style-type: none"><li>• Lorsque la température ambiante est inférieure à 5°C (41°F), la gelée peut se former</li><li>• Mettez l'appareil en mode ventilateur uniquement jusqu'à ce que le givre fonde</li></ul>  |

## GARANTIE LIMITÉE « EN ATELIER »

Cet appareil de qualité est garanti exempt de tout vice de matière première et de fabrication, s'il est utilisé dans les conditions normales recommandées par le fabricant.

Cette garantie n'est offerte qu'à l'acheteur initial de l'appareil vendu par Danby Products Limited (Canada) ou Danby Products Inc. (É.-U.) (ci-après « Danby ») ou par l'un des ses distributeurs agréés et elle ne peut être transférée.

### CONDITIONS

Les pièces en plastique sont garanties pendant trente (30) jours seulement à partir de la date de l'achat, sans aucune prolongation prévue.

**Premiers 24 mois** Pendant les premiers **vingt quatre (24) mois**, toutes les pièces fonctionnelles de ce produit qui s'avèrent défectueuses seront réparées ou remplacées, selon le choix du garant, sans frais à l'acheteur initial.

**Pour obtenir un service** Contactez le revendeur où l'appareil a été acheté ou contactez le dépôt de service Danby autorisé le plus proche, où le service doit être effectué par un technicien de service qualifié. Si le service est effectué sur l'appareil par une personne autre qu'un dépôt de service autorisé, toutes les obligations de Danby en vertu de cette garantie seront annulées.

Il est de la responsabilité de l'acheteur de transporter l'appareil vers le dépôt de service agréé le plus proche.

Les frais de transport entre votre domicile et le lieu de l'entretien ne sont pas couverts par la présente garantie et doivent être acquittés par l'acheteur.

Aucune partie de la garantie ne prévoit implicitement que le fabricant sera tenu responsable des dommages subis par les aliments ou d'autres types de contenu, qu'ils soient causés par la défectuosité de l'appareil ou par son usage adéquat ou inadéquat.

### EXCLUSIONS

En vertu de la présente, il n'existe aucune autre garantie, condition ou représentation, qu'elle soit exprimée ou tacite, de façon manifeste ou intentionnelle, par Danby ou ses distributeurs agréés. De même, sont exclues toutes les autres garanties, conditions ou représentations, y compris les garanties, conditions ou représentations en vertu de toute loi régissant la vente de produits ou de toute autre législation ou règlement semblable. **En vertu de la présente, Danby ne peut être tenue responsable en cas de blessures corporelles ou de dégâts matériels, y compris à l'appareil, quelle qu'en soit les causes. Danby ne peut pas être tenue responsable des dommages indirects dus au fonctionnement défectueux de l'appareil. En achetant l'appareil, l'acheteur accepte de tenir sans reproche et de dégager Danby de toute responsabilité en cas de réclamation pour toute blessure corporelle ou tout dégât matériel causé par cet appareil.**

### CONDITIONS GÉNÉRALES

La garantie ou assurance ci-dessus ne s'applique pas si les dégâts ou réparations sont dus aux cas suivants :

- 1) Panne de courant.
- 2) Dommages subis pendant le transport ou le déplacement de l'appareil.
- 3) Alimentation électrique incorrecte (tension faible, câblage défectueux, fusibles incorrects).
- 4) Accident, modification, emploi abusif ou incorrect de l'appareil tel qu'une circulation d'air inadéquate dans la pièce ou des conditions de fonctionnement anormales (température extrêmement élevée ou basse).
- 5) Utilisation dans un but commercial ou industriel (à savoir, si l'appareil n'est pas installé dans un domicile résidentiel).
- 6) Incendie, dommages causés par l'eau, le vol, la guerre, une émeute, des hostilités, ou en cas de force majeure (ouragan, inondation, etc.).
- 7) Visites d'un technicien pour expliquer le fonctionnement de l'appareil au propriétaire.
- 8) Installation inappropriée (par exemple, encastrement d'un appareil autoportant, ou utilisation extérieure d'un appareil non conçu à cet effet, y compris, mais sans s'y limiter : les garages, les patios, les porches ou ailleurs, qui ne sont pas correctement isolés ou climatisés).

La preuve de la date d'achat sera requise pour les réclamations de garantie; conserver la facture de vente. Dans le cas où un service de garantie est requis, présentez la preuve d'achat à notre dépôt de service agréé.

### Service sous garantie

En Atelier

Danby Products Limited  
PO Box 1778, Guelph, Ontario, Canada N1H 6Z9  
Téléphone : (519) 837-0920 Télécopieur : (519) 837-0449

**1-800-263-2629**  
02/18

Danby Products Inc.  
PO Box 669, Findlay, Ohio, U.S.A. 45840  
Téléphone : (419) 425-8627 Télécopieur : (419) 425-8629

# Bienvenido

Bienvenido a la familia Danby. Estamos orgullosos de nuestros productos de calidad y creemos en un servicio confiable. Sugerimos que lea este manual del propietario antes de conectar el nuevo aparato ya que contiene información importante sobre la operación, información de seguridad, solución de problemas y consejos de mantenimiento para garantizar la fiabilidad y longevidad de su electrodoméstico.

Visite **www.Danby.com** para acceder a herramientas de autoservicio, preguntas frecuentes y mucho más. Para asistencia adicional, llame al **1-800-263-2629**.

**Tenga en cuenta la información siguiente; Necesitará esta información para obtener un servicio bajo garantía.**

**Debe proporcionar el recibo de compra original para validar su garantía y recibir servicio.**

**Número de modelo:** \_\_\_\_\_

**Número de serie:** \_\_\_\_\_

**Fecha de compra:** \_\_\_\_\_

## Necesitas ayuda?

Antes de llamar al servicio, aquí hay algunas cosas que puede hacer para ayudarnos a servirle mejor.

**Lea este manual del propietario:**

Contiene instrucciones para ayudarlo a usar y mantener su aparato correctamente.

**Si recibe un aparato dañado:**

Inmediatamente póngase en contacto con el minorista o el constructor que le vendió el aparato.

**Ahorre tiempo y dinero:**

Consulte la sección de solución de problemas al final de este manual antes de llamar. Esta sección le ayudará a resolver problemas comunes que pueden ocurrir.



1-800-26- Danby  
(1-800-263-2629)



## Información de Seguridad Importante LEA Y SIGA TODAS LAS INSTRUCCIONES DE SEGURIDAD

### REQUERIMIENTOS DE SEGURIDAD

Este aparato no está diseñado para ser utilizado por personas (incluyendo niños) cuyas capacidades físicas, sensoriales o mentales sean diferentes o reducidas, o que carezcan de experiencia o conocimiento, a menos que dichas personas reciban supervisión o entrenamiento para operar el aparato por una persona responsable de su la seguridad.

Los niños deben ser supervisados para asegurarse de que no juegan con el aparato.

Para evitar el riesgo de descarga eléctrica, no utilice este deshumidificador en un área que pueda acumular agua estancada. Si se desarrolla esta condición, desconecte la fuente de alimentación antes de entrar en el agua.

No almacene ni utilice materiales combustibles tales como gasolina u otros vapores o líquidos inflamables cerca de este o de cualquier otro aparato.

No introduzca los dedos u otros objetos en las parrillas o aberturas del aparato.

No cubra ni bloquee las aberturas de admisión y de escape.

No opere el aparato sin el filtro instalado.

No utilice el aparato cerca de fuentes de calor.

Este aparato está destinado únicamente a aplicaciones interiores y residenciales. No utilice este deshumidificador en exteriores. No utilice este deshumidificador para aplicaciones comerciales o industriales.

### INSTRUCCIONES DE CONEXION A TIERRA

Este aparato debe estar conectado a tierra. La puesta a tierra reduce el riesgo de descarga eléctrica proporcionando un cable de escape para la corriente eléctrica.

Este aparato tiene un cable que tiene un cable de conexión a tierra con un enchufe de 3 clavijas. El cable de alimentación debe estar enchufado en un tomacorriente que esté debidamente conectado a tierra. Si el tomacorriente es un tomacorriente de dos clavijas, debe ser reemplazado por un tomacorriente de 3 clavijas con conexión a tierra adecuada. La placa de características en serie indica el voltaje y la frecuencia para los que está diseñado el artefacto.

**ADVERTENCIA** - El uso incorrecto del enchufe de conexión a tierra puede ocasionar un riesgo de descarga eléctrica. Consulte a un electricista calificado o agente de servicio si las instrucciones de conexión a tierra no se entienden completamente o si existe duda sobre si el aparato está debidamente conectado a tierra.

**No conecte el aparato a cables de extensión, adaptadores o junto con otro aparato en la misma toma de corriente.**

No empalme el cable de alimentación. No corte ni extraiga en ningún caso la tercera clavija de tierra del cable de alimentación.

Si el cable de alimentación está dañado, debe ser reemplazado por el fabricante, su agente de servicio o persona calificada similar para evitar riesgos.

**¡GUARDA ESTAS INSTRUCCIONES!**

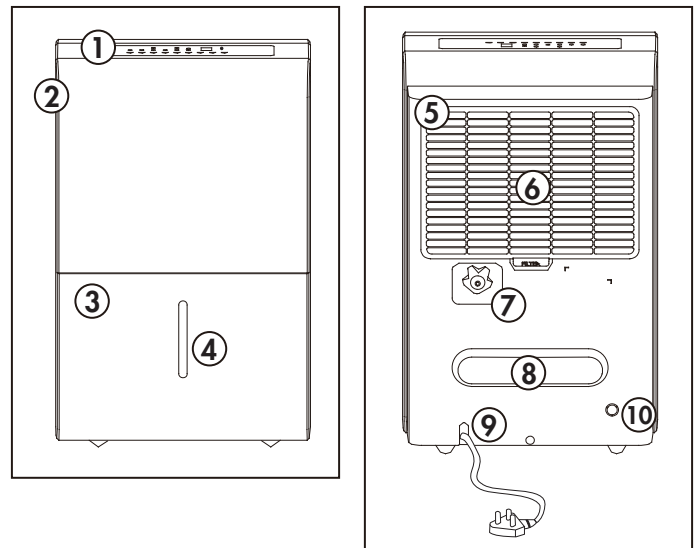
# INSTRUCCIONES DE OPERACIÓN

## OPERACIÓN

- Coloque el deshumidificador en un piso liso y nivelado que sea lo suficientemente fuerte como para soportar el aparato con un balde lleno de agua.
- No coloque el deshumidificador sobre las alfombras ya que esto puede bloquear el flujo de aire alrededor del artefacto.
- No fuerce las ruedas para que se muevan sobre las alfombras ya que el aparato puede desequilibrarse y derramar agua.
- Para mantener la eficiencia, opere el artefacto en un área cerrada. Mantenga cerradas las puertas y ventanas cercanas.
- Mantenga un espacio libre mínimo de 20 cm (8 pulgadas) en los lados y la parte posterior del aparato y 40 cm (16 pulgadas) en la parte superior y frontal del aparato para permitir una circulación de aire adecuada.
- La temperatura ambiente de funcionamiento recomendada es entre 5°C (41°F) y 32°C (90°F).
- Cada vez que coloque el electrodoméstico sobre su parte posterior o lateral, debe dejarlo en posición vertical durante 6 horas antes de enchufarlo para evitar daños a los componentes internos.
- La configuración de humedad predeterminada es 40% y alta velocidad del ventilador. Dependiendo de las condiciones de humedad, es posible que el deshumidificador no se inicie automáticamente según la configuración predeterminada. Esto significa que la humedad en el aire circundante es menos del 40%. Presione el botón hacia abajo para reducir la humedad establecida hasta que la humedad establecida sea inferior a la humedad ambiental.
- Para un rendimiento óptimo, asegúrese de que la configuración de humedad sea un 10% más baja que la humedad ambiental. Es normal que la humedad ambiental varíe hasta un 5% por encima o por debajo de la humedad establecida.
- Se recomienda en condiciones normales para establecer la humedad entre 40-45%.
- Es normal que el deshumidificador extraiga el aire caliente de la parte superior.

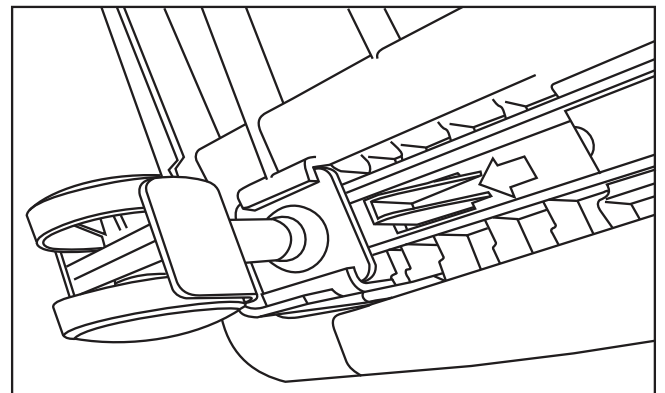
## CARACTERÍSTICAS

1. Panel de control
2. Manijas (ambos lados)
3. Cubo de agua
4. Indicador de nivel de agua
5. Salida de aire
6. Filtro de aire
7. Salida de drenaje continua
8. Banda de almacenamiento del cable de alimentación
9. Cable de alimentación
10. Salida de drenaje de la bomba



## INSTALACIÓN DE LA RUEDA

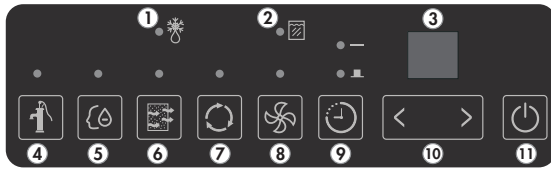
1. Retire las ruedas del cubo del deshumidificador.
2. Ubique la flecha en la parte inferior del deshumidificador e inserte la rueda de acuerdo con la dirección de la flecha.
3. Deslice la rueda hasta el tope, hasta que encaje en su lugar.





# INSTRUCCIONES DE OPERACIÓN

## PANEL DE CONTROL



- 1. Descongelamiento automático:** cuando construyes tus bobinas, el compresor se apagará y el ventilador continuará.
- 2. Luz completa del cucharón:** la luz se iluminará cuando el cucharón esté lleno o incorrectamente dentro del gabinete. El funcionamiento del compresor y del ventilador finaliza como una característica de seguridad. Cuando la cubeta se vacía o se reajusta correctamente, el deshumidificador reanudará el funcionamiento automáticamente.
- 3. Pantalla:** muestra la real ( $\pm 5\%$  de precisión) 30% RH a 90% RH. De lo contrario, selección al programar la humedad o el temporizador.
- 4. Botón de drenaje de la bomba:** conecte el botón de drenaje de la bomba. La luz de la bomba se iluminará.
- 5. Smart Dehumidify:** Esta función ajustará automáticamente el nivel de humedad con las temperaturas ambiente fluctuantes. El nivel de humedad no se puede ajustar en este ajuste, se estabilizará entre 45% - 55%.
- 6. Botón de filtro:** la luz del filtro de verificación se iluminará después de 250 horas de operación. Después de limpiar el filtro, presione el botón de filtro para reanudar el funcionamiento normal.
- 7. Botón continuo:** presione para activar la operación de deshumidificación continua.
- 8. Botón de ventilador:** controla la velocidad del ventilador. Presione para seleccionar la velocidad del ventilador alta o normal. La luz se iluminará a alta velocidad del ventilador.
- 9. Botón del temporizador:** presione para iniciar la función de inicio automático y detención automática. Establezca un horario de inicio o finalización de 0.0 a 24 horas con las teclas (>) y (<).
- 10. Botones (</>):** el nivel de humedad puede ajustarse dentro de un rango de 35% a 85% de humedad relativa en incrementos de 5%. Para aire más seco, presione el botón (<) y ajuste a un valor porcentual más bajo. Para obtener más aire húmedo, presione el botón (>) y configure un valor porcentual más alto.
- 11. Botón de encendido:** presione para encender o apagar el deshumidificador.

## FUNCIÓN DEL TEMPORIZADOR

### Función de apagado automático

1. Cuando el aparato esté encendido, presione el botón del temporizador para activar el temporizador de parada automática. La luz de auto-parada se iluminará.
2. Presione los botones hacia arriba y hacia abajo para cambiar el tiempo establecido en incrementos de 0,5 horas hasta 10 horas y luego en incrementos de 1 hora hasta 24 horas.
3. Presione el botón del temporizador para confirmar la programación.

### Función de encendido automático

4. Cuando el electrodoméstico esté apagado, presione el botón del temporizador para activar el temporizador de inicio automático. Establezca el tiempo según las instrucciones anteriores. Presione el botón del temporizador nuevamente para confirmar la programación.

Las funciones de encendido automático y apagado automático se pueden usar al mismo tiempo configurando primero una y luego la otra. Ambas luces indicadoras se iluminarán y la pantalla contará hacia abajo hasta que el dispositivo se apague o encienda, independientemente de la función que se haya configurado primero.

**Nota:** El temporizador no encenderá y apagará el artefacto por tiempo indefinido. Los temporizadores de encendido automático y apagado automático funcionarán una vez y luego el dispositivo volverá a funcionar normalmente.

Encender o apagar el aparato en cualquier momento o cambiar la configuración del temporizador a 0.0 cancelará la configuración del temporizador.

## CONFIGURACIÓN DE MEMORIA Y REINICIO AUTOMÁTICO

Cada vez que se desconecta o se vuelve a conectar el artefacto, o en el caso de un corte de energía, el artefacto se ajustará por defecto a la última configuración del programa que se usó.

Si el artefacto se apaga inesperadamente debido a una falla de energía, se reiniciará automáticamente con la configuración anterior una vez que se reanude la energía.

# INSTRUCCIONES DE OPERACIÓN

## REMOCION DE AGUA

Hay tres formas de eliminar el agua recogida del aparato.

### 1. Cubo de agua

El deshumidificador recogerá automáticamente agua condensada en el cubo de agua. Cuando el cucharón está lleno o desplazado dentro de la unidad, el actuador de flotador dentro del cucharón rompe el contacto con el interruptor de seguridad. El compresor se apagará, evitando que la humedad se condense. El ventilador continuará funcionando durante aproximadamente 2-3 minutos. El agua puede gotear sobre la base del artefacto y sobre el piso. Asegúrese de proteger el piso al vaciar el cubo de agua.

Nunca altere o intente vencer el sistema de flotación del nivel del agua. La instalación correcta de la cubeta de agua es crucial para mantener un funcionamiento confiable.

Para vaciar la cubeta, retírela del aparato agarrándola por ambos lados y tirando hacia afuera. Tenga cuidado al retirar el cucharón, estará lleno y puede ser pesado.

No coloque el cubo de agua directamente en el piso. La parte inferior de la cubeta es desigual y caerá y derramará agua.

Vacíe la cubeta y reemplácela en el aparato. El deshumidificador no funcionará sin la cuchara instalada.

El cubo debe limpiarse cada pocas semanas para evitar el crecimiento de moho. Use solo un detergente suave para limpiar el balde; no use productos químicos fuertes o lejía.

### 2. Drenaje Continuo

El agua se puede quitar del aparato utilizando el drenaje continuo y una manguera de jardín estándar (no incluida).

Antes de usar cualquier función de drenaje automático, verifique que todos los puertos de drenaje estén limpios y libres de residuos. Hay uno o dos orificios de drenaje dentro del compartimento del cubo del electrodoméstico, retire el cucharón para verlos. Hay uno o dos puertos de drenaje en la parte posterior del electrodoméstico donde se conectan las mangueras de drenaje. Todos los puertos de drenaje deben limpiarse con un limpiador de tuberías antes de su uso.

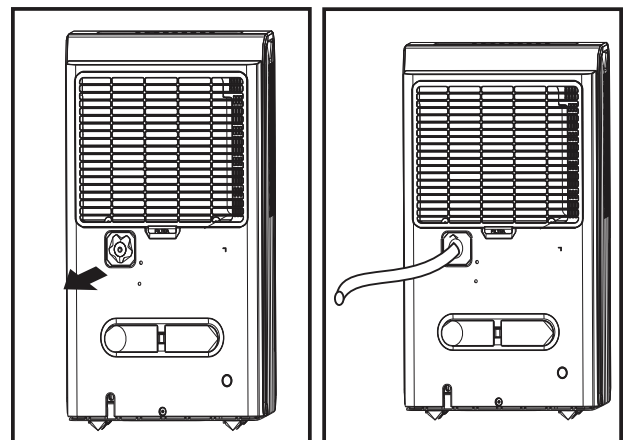
**Nota:** No limpie el drenaje con nada más que un limpiador de tuberías, ya que puede dañar el aparato.

**Nota:** Si los puertos de drenaje están obstruidos o sucios, puede ocasionar fugas de agua desde el fondo del aparato.

Retire la tapa del drenaje continuo y coloque el extremo roscado hembra de la manguera de jardín en la parte posterior del aparato. Dirige el otro extremo de la manguera de jardín a una cubeta o drenaje de piso.

Asegúrese de que la manguera de jardín no esté doblada y vaya directamente hacia la parte posterior del electrodoméstico. El drenaje continuo solo se activa por gravedad, por lo que cualquier curvatura o movimiento hacia arriba en la manguera evitará que el agua se drene.

La manguera de jardín debe ser tan larga que no mida más de 1,8 m (6 pies) de largo. Si la manguera de drenaje es demasiado larga, no puede drenarse completamente al piso.

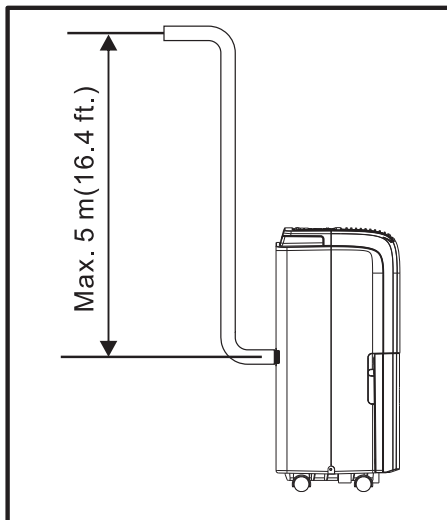
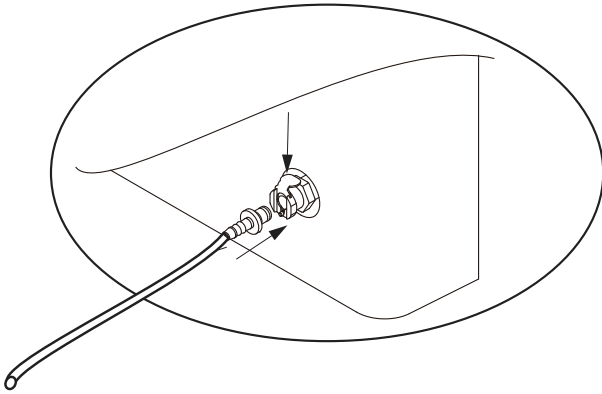


# INSTRUCCIONES DE OPERACIÓN

## 3. Drenaje de la bomba

En situaciones donde la manguera de drenaje no puede llegar a un desagüe en el piso o si la manguera de desagüe necesita llegar a un receptáculo que está por encima del nivel del artefacto, se puede drenar agua del artefacto utilizando la bomba.

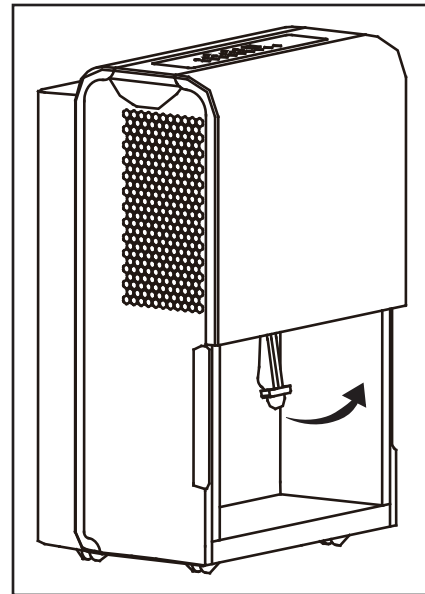
1. Retire la tapa en el drenaje de la bomba en la parte posterior del aparato.
2. Conecte el drenaje al drenaje.
3. Asegúrese de que no haya dobleces en la manguera de drenaje.
4. Presione el botón de la bomba para iniciar la bomba de drenaje.
5. La longitud máxima de la manguera de drenaje es de 5 m (16 pies).



## BRAZO INTERNO DE LA BOMBA

Dentro del aparato hay una bomba que sacará el agua de la cubeta y luego la drenará a través de la manguera de drenaje. Cuando vuelva a colocar la cubeta en el aparato después de vaciarla, asegúrese de que la bomba no haya vuelto a caer en el aparato.

Si el brazo de la bomba se ha caído, empujelo suavemente hacia la parte superior de la unidad hasta que encaje en su lugar.



**Nota:** La bomba solo se activará una vez que el balde esté lleno de agua.

A medida que el deshumidificador elimina el agua del aire, el agua primero llena el cubo. Cuando la cubeta está llena, el brazo de la bomba caerá dentro de la cubeta y eliminará toda la cantidad de agua que pueda alcanzar. El agua se drenará a través de la manguera de drenaje adjunta.

El aparato continuará funcionando, eliminando más agua del aire y llenando el balde nuevamente.

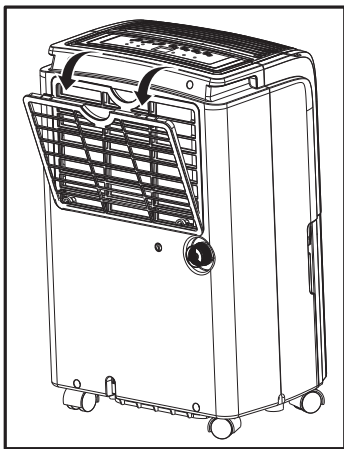
## CUIDADO Y MANTENIMIENTO

### FILTRO DE AIRE

El indicador de filtro se iluminará después de 250 horas de uso, lo que indica que el filtro debe limpiarse.

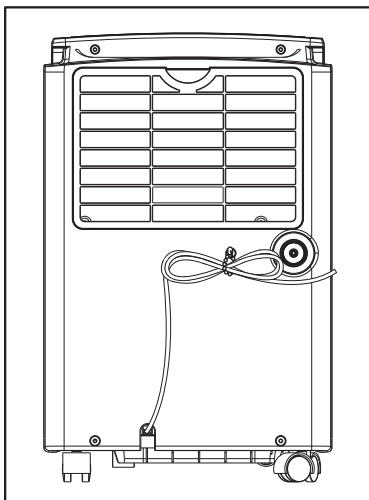
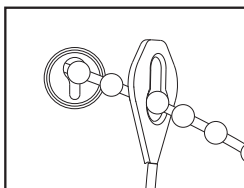
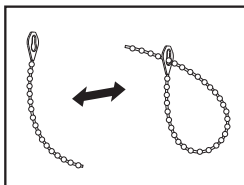
Retire el filtro de la parte posterior del dispositivo. Use una aspiradora para eliminar el polvo del filtro o lave con agua tibia y un detergente suave. Asegúrese de que el filtro sea completamente reemplazado por el aparato. Presione el botón de filtro para reiniciar el indicador de filtro.

**Nota:** No opere el aparato sin el filtro instalado.



### ALMACENAMIENTO A LARGO PLAZO

Asegúrese de que el interior del aparato esté seco antes de guardarlo fuera de temporada para ayudar a evitar el crecimiento de moho o hongos. Asegúrese de que el filtro esté limpio y seco. Asegure el cable de alimentación con la correa del cable de alimentación según la imagen a continuación. Guarde el aparato en posición vertical y cubierto en un lugar seco.



### LIMPIEZA

Para evitar posibles descargas eléctricas, asegúrese de que el aparato esté desenchufado antes de realizar cualquier limpieza o mantenimiento.

El exterior del aparato se puede limpiar con un paño suave o con un paño tibio y húmedo si es necesario.

No utilice gasolina, benceno, diluyente o cualquier otro producto químico para limpiar este aparato ya que estas sustancias pueden dañar el acabado y la deformación de las piezas de plástico.

Nunca vierta agua directamente sobre el aparato ya que esto causará el deterioro de los componentes eléctricos y el aislamiento del cableado.

Asegúrese de que el puerto de drenaje en la parte posterior del dispositivo esté libre de suciedad y acumulación de calcio.

Asegúrese de que el drenaje en el interior del artefacto y el drenaje en la parte posterior del electrodoméstico no contengan suciedad y acumulación de calcio.

### CÓDIGOS DE ERROR

Si el panel de visualización muestra alguno de los siguientes códigos de error, desenchufe el aparato, deje reposar durante 5-10 minutos y vuelva a enchufarlo. Si el error persiste, llame al servicio técnico.

**AS** - Error del sensor de humedad

**ES** - Error del sensor de temperatura

**E3** - Error del panel de control

**P2 o Eb** - El cucharón está lleno o no está en la posición correcta

### DISPOSICIÓN

Este aparato no puede ser tratado como un residuo doméstico normal, sino que debe ser llevado al punto de recogida de residuos apropiado para el reciclaje de componentes eléctricos. Compruebe la conformidad reglamentaria local con respecto a la eliminación aprobada y segura de este aparato.

## SOLUCIÓN DE PROBLEMAS

Danby cuidado del consumidor: 1-800-263-2629

### Horas de operación:

Lunes a Jueves 8:30 am - 6:00 pm Hora estándar del este

Viernes 8:30 am - 4:00 pm Hora estándar del este

La información de este manual está sujeta a cambios sin previo aviso.

| <b>PROBLEMA</b>                       | <b>CAUSA POSIBLE</b>   |
|---------------------------------------|--|
| <b>El aparato no funcionará</b>       | <ul style="list-style-type: none"><li>• El enchufe no está completamente insertado en la toma de corriente de la pared</li><li>• Fusible fundido o disyuntor</li><li>• La humedad ambiente es menor que la humedad ajustada</li><li>• El cubo está lleno o no está en la posición correcta</li></ul> |
| <b>Insuficiente deshumidificación</b> | <ul style="list-style-type: none"><li>• El filtro de aire está sucio</li><li>• Flujo de aire bloqueado</li><li>• El tamaño del dispositivo es demasiado pequeño para la aplicación</li><li>• La humedad ambiente es menor que la humedad ajustada</li></ul>  |
| <b>Ruido</b>                          | <ul style="list-style-type: none"><li>• El filtro de aire está sucio</li><li>• El cucharón no está en la posición adecuada</li><li>• Superficie del piso no nivelada</li></ul>   |
| <b>Olores</b>                         | <ul style="list-style-type: none"><li>• Formación de moho o moho en superficies mojadas internas</li><li>• Coloque una tableta algicida en el cubo de agua</li></ul>   |
| <b>Agua en el piso</b>                | <ul style="list-style-type: none"><li>• La conexión de la manguera está suelta</li><li>• Se ha quitado la tapa del drenaje</li></ul>   |
| <b>Acumulación de escarcha</b>        | <ul style="list-style-type: none"><li>• Cuando la temperatura ambiente es inferior a 5°C (41°F) puede formarse escarcha</li><li>• Cambie el aparato al modo ventilador sólo hasta que se derrita el hielo</li></ul>  |

## GARANTÍA LIMITADA "ACARREADO SOLAMENTE"

Este producto de calidad está garantizado contra defectos de fabricación, incluyendo partes y mano de obra, siempre y cuando la unidad se utilice bajo las condiciones normales de funcionamiento para las que fue diseñado.

Esta garantía está solamente disponible para la persona que haya comprado originalmente esta unidad directamente de Danby Products Limited (Canada) o Danby Products Inc. (U.S.A.) (en adelante "Danby") o uno de sus distribuidores autorizados, y no es transferible.

### CONDICIONES DE LA GARANTÍA

Las piezas plásticas, se autorizan por treinta (30) días solamente a partir de la fecha de la compra, sin las extensiones proporcionadas.

**Primeros 24 meses** Durante los primeros **veinticuatro (24) meses**, cualquier parte en buen estado de este producto que resulte defectuosa, incluyendo cualquier sistema sellado, será reparado o reemplazado, a opción del fabricante, sin cargo para el comprador original.

**Para obtener servicio** Póngase en contacto con el distribuidor donde adquirió el electrodoméstico o póngase en contacto con el centro de servicio autorizado más cercano de Danby, donde el servicio debe ser realizado por un técnico cualificado. Si el servicio es realizado por cualquier persona que no sea un depósito de servicio autorizado, todas las obligaciones de Danby bajo esta garantía serán nulas.

Es responsabilidad del comprador transportar el aparato al centro de servicio autorizado más cercano.

Los cargos de transporte desde y hacia el lugar de servicio no están protegidos por esta garantía y son responsabilidad del comprador.

Nada dentro de esta garantía implica que Danby será responsable por cualquier daño que hayan sufrido los alimentos u otros contenidos de este aparato, ya sea debido a un defecto del aparato, o su uso, adecuado o inadecuado.

### EXCLUSIONES

Salvo lo aquí indicado por Danby, no existen otras garantías, condiciones o representaciones, explícitas o implícitas, concretas o intencionales por parte de Danby o sus distribuidores autorizados y todas las demás garantías, condiciones o representaciones, incluyendo cualquier garantía, condiciones o representaciones bajo cualquier Acta de Venta de Productos o legislación o estatuto similar, quedan de esta forma expresamente excluidas. **Salvo lo aquí indicado, Danby no serán responsables por ningún daño a personas o bienes, incluyendo la propia unidad, sin importar su causa, o de ningún daño indirecto causado por el desperfecto de la unidad, y al comprar esta unidad, el comprador acepta por la presente, indemnizar y proteger a Danby contra cualquier reclamo por daños a personas o bienes causados por la unidad.**

### CONDICIONES GENERALES

No se considerará ninguna de estas garantías o seguros cuando el daño o la necesidad de reparación sea el producto de los siguientes casos:

- 1) Falla del suministro eléctrico.
- 2) Daños en tránsito o durante el transporte de la unidad.
- 3) Alimentación incorrecta, como bajo voltaje, instalación eléctrica defectuosa o fusibles inadecuados.
- 4) Accidente, modificación, abuso o uso incorrecto del artefacto, tal como insuficiente ventilación del ambiente o condiciones de operación anormales (temperatura ambiente extremadamente alta o baja).
- 5) Utilización comercial o industrial (v.g., si el electrodoméstico no está instalado en una vivienda particular).
- 6) Incendio, daños por agua, robo, guerra, disturbios, hostilidades, actos de fuerza mayor como huracanes, inundaciones, etc.
- 7) Pedidos de servicio debido a desinformación del usuario.
- 8) Instalación inadecuada (v.g., instalación de un electrodoméstico independiente o uso de un aparato al aire libre que no esté aprobado para aplicaciones en exteriores, incluyendo pero no limitado a: garajes, patios, porches o cualquier lugar que no esté bien aislado o controlado por el clima).

Se requerirá una prueba de la fecha de compra para reclamaciones de garantía; conservar las facturas de venta. En el caso de que se requiera servicio de garantía, presente el comprobante de compra a nuestro depósito de servicio autorizado.

**Servicio de Garantía**  
Acarreado Solamente

Danby Products Limited  
PO Box 1778, Guelph, Ontario, Canada N1H 6Z9  
Telephone: (519) 837-0920 FAX: (519) 837-0449

**1-800-263-2629**  
04/17

Danby Products Inc.  
PO Box 669, Findlay, Ohio, U.S.A. 45840  
Telephone: (419) 425-8627 FAX: (419) 425-8629











---

**MODEL • MODÈLE • MODELO**

**DDR050BLPBDB**