

AIR CONDITIONER

Owner's Manual.....1 - 14

CLIMATISEUR

Manual du propriétaire.....15 - 28

AIRE ACONDICIONADO

Manual del propietario.....29 - 42

MODEL • MODÈLE • MODELO

DAC080B5WDB

Welcome

Welcome to the Danby family. We are proud of our quality products and we believe in dependable service. We suggest that you read this owner's manual before plugging in your new appliance as it contains important operation information, safety information, troubleshooting and maintenance tips to ensure the reliability and longevity of your appliance.

Visit www.Danby.com to access self service tools, FAQs and much more. For additional assistance call **1-800-263-2629**.

Note the information below; you will need this information to obtain service under warranty.

You must provide the original purchase receipt to validate your warranty and receive service.

Model Number: _____

Serial Number: _____

Date of Purchase: _____

Need Help?

Before you call for service, here are a few things you can do to help us serve you better.

Read this owner's manual:

It contains instructions to help you use and maintain your appliance properly.

If you receive a damaged appliance:

Immediately contact the retailer or builder that sold you the appliance.

Save time and money:

Check the troubleshooting section at the end of this manual before calling. This section will help you solve common problems that may occur.



1-800-26- Danby
(1-800-263-2629)



Important Safety Information

READ AND FOLLOW ALL SAFETY INSTRUCTIONS



SAFETY REQUIREMENTS

DANGER: Risk of fire or explosion. Flammable refrigerant used. Do not damage the refrigerant circuit.

- Ensure that servicing is done by factory authorized service personnel, to minimize product damage or safety issues.
- Consult repair manual or owner's guide before attempting to service this product. All safety precautions must be followed.
- Dispose of properly in accordance with federal or local regulations.
- Follow handling instructions carefully.
- Keep ventilation openings, in the appliance clear of obstruction.
- Do not use mechanical devices or other means to accelerate the defrosting process.
- Children should be supervised to ensure that they do not play with the appliance.
- Do not store or install the appliance near continuously operating ignition sources such as open flames or a gas stove.
- Do not operate near water or in a wet room.
- Do not pierce or burn.
- Be aware that refrigerants may not contain an odor.
- The appliance must be stored so as to prevent mechanical damage from occurring.

All wiring must comply with local and national codes and must be installed by a qualified electrician. Check the available power supply and resolve any wiring problems before installing and operating this appliance.

The rating plate located on the right side of the appliance just above the power cord contains electrical and other technical data.

This appliance is not intended for use by persons (including children) whose physical, sensory or mental capabilities may be different or reduced, or who lack experience or knowledge, unless such persons receive supervision or training to operate the appliance by a person responsible for their safety.

GROUNDING INSTRUCTIONS

This appliance must be grounded. Grounding reduces the risk of electrical shock by providing an escape wire for the electrical current.

This appliance has a cord that has a grounding wire with a 3-prong plug. The power cord must be plugged into an outlet that is properly grounded. If the outlet is a 2-prong wall outlet, it must be replaced with a properly grounded 3-prong wall outlet. The serial rating plate indicates the voltage and frequency the appliance is designed for.

WARNING - Improper use of the grounding plug can result in a risk of electric shock. Consult a qualified electrician or service agent if the grounding instructions are not completely understood, or if doubt exists as to whether the appliance is properly grounded.

Do not connect your appliance to extension cords or together with another appliance in the same wall outlet. Do not splice the power cord. Do not under any circumstances cut or remove the third ground prong from the power cord. Do not use extension cords or ungrounded (two prongs) adapters.

If the power supply cord is damaged, it must be replaced by the manufacturer, its service agent or similar qualified person in order to avoid hazard.



CAUTION: RISK OF FIRE

Flammable refrigerant used. When maintaining or disposing of the air conditioner, the refrigerant must not be allowed to vent into the open air.

SAVE THESE INSTRUCTIONS!



Important Safety Information

READ AND FOLLOW ALL SAFETY INSTRUCTIONS

Any person involved with working on the refrigerant circuit should hold a current, valid certificate from an industry accredited assessment authority which authorizes their competence to handle refrigerants safely in accordance with an industry recognized assessment specification.

Servicing shall only be performed as recommended by the manufacturer. Maintenance and repair requiring the assistance of other skilled personnel shall be carried out under the supervision of the person competent in the use of flammable refrigerants.

When maintaining or disposing of the appliance the refrigerant must be recovered properly and should not be allowed to discharge to the air directly.

Information on servicing

- 1. Checks to the area:** Prior to beginning work on systems containing flammable refrigerants, safety checks are necessary to ensure that the risk of ignition is minimized. For repair to the refrigerating system, the following precautions shall be complied with prior to conducting work on the system.
- 2. Work procedure:** Work shall be undertaken under a controlled procedure so as to minimize the risk of a flammable gas or vapour being present while the work is being performed.
- 3. General work area:** All maintenance staff and others working in the local area shall be instructed on the nature of work being carried out. Work in confined spaces shall be avoided. The area around the work space shall be sectioned off. Ensure that the conditions within the work area have been made safe by removing all flammable material.
- 4. Checking for the presence of refrigerant:** The area shall be checked with an appropriate refrigerant detector prior to and during work to ensure the technician is aware of potentially flammable atmospheres. Ensure that the leak detection equipment being used is suitable for use with flammable refrigerants, i.e. non-sparking, adequately sealed and intrinsically safe.
- 5. Presence of fire extinguisher:** If any hot work is to be conducted on the refrigeration equipment or any associated parts, appropriate fire extinguishing equipment shall be available to hand. Have a dry powder or CO₂ fire extinguisher adjacent to the work area.
- 6. No ignition sources:** No person carrying out work in relation to a refrigeration system which involves exposing any pipe work that contains or has contained flammable refrigerant shall use any sources of ignition in such a manner that it may lead to risk of fire or explosion. All possible ignition sources including cigarette smoking, should be kept sufficiently far away from the site of installation, repairing, removing and disposal during which flammable refrigerant can possibly be released to the surrounding space. Prior to work taking place, the area around the equipment is to be surveyed to make sure there are no flammable hazards or ignition risks. No smoking signs shall be displayed.
- 7. Ventilated area:** Ensure that the area is in the open or that it is adequately ventilated before breaking into the system or conducting any hot work. A degree of ventilation shall continue during the period that the work is carried out. The ventilation should safely disperse any released refrigerant and preferably expel it externally into the atmosphere.
- 8. Checks to the refrigeration equipment:** Where electrical components are being changed, they shall be fit for the purpose and to the correct specification. At all times the manufacturer's maintenance and service guidelines shall be followed. If in doubt consult the manufacturer's technical department for assistance.



Important Safety Information

READ AND FOLLOW ALL SAFETY INSTRUCTIONS

The following checks shall be applied to installations using flammable refrigerants:

- The charge size is in accordance with the room size within which the refrigerant containing parts are installed.
- The ventilation machinery and outlets are operating adequately and are not obstructed.
- If an indirect refrigerating circuit is being used, the secondary circuit shall be checked for the presence of refrigerant.
- Marking to the equipment continues to be visible and legible. Markings and signs that become illegible must be corrected.
- Refrigeration pipe or components are installed in a position where they are unlikely to be exposed to any substance which may corrode refrigerant containing components, unless the components are constructed of materials which are inherently resistant to being corroded or are suitable protected against being corroded.

9. Checks to electrical devices: Repair and maintenance to electrical components shall include initial safety checks and component inspection procedures. If a fault exists that could compromise safety, then no electrical supply shall be connected to the circuit until it is satisfactorily dealt with. If the fault cannot be corrected immediately but it is necessary to continue operation, an adequate temporary solution shall be used. This shall be reported to the owner of the equipment so all parties are advised.

Initial safety checks shall include:

- That capacitors are discharged. This shall be done in a safe manner to avoid possibility of sparking.
- That no live electrical components and wiring are exposed while charging, recovering or purging the system.
- That there is continuity of earth bonding.

Repairs to sealed components

1. During repairs to sealed components, all electrical supplies shall be disconnected from the equipment being worked upon prior to any removal of sealed covers, etc. If it is absolutely necessary to have an electrical supply to equipment during servicing then a permanently operating form of leak detection shall be located at the most critical point to warn of a potentially hazardous situation.
2. To ensure that by working on electrical components the casing is not altered in such a way that the level of protection is affected, particular attention shall be paid to the following:
 - Damage to cables, excessive number of connections, terminals not made to original specification, damage to seals, incorrect fitting of glands, etc.
 - Ensure the apparatus is mounted securely.
 - Ensure that seals or sealing materials have not degraded such that they no longer serve the purpose of preventing the ingress of flammable atmospheres. Replacement parts shall be in accordance with the manufacturer's specifications.

Note: The use of silicon sealant may inhibit the effectiveness of some types of leak detection equipment. Intrinsically safe components do not have to be isolated prior to working on them.

Repair to intrinsically safe components

Do not apply any permanent inductive or capacitance loads to the circuit without ensuring that this will not exceed the permissible voltage and current permitted for the equipment in use. Intrinsically safe components are the only types that can be worked on while live in the presence of a flammable atmosphere. The test apparatus shall be at the correct rating. Replace components only with parts specified by the manufacturer. Other parts may result in the ignition of refrigerant in the atmosphere from a leak.



Important Safety Information

READ AND FOLLOW ALL SAFETY INSTRUCTIONS

Cabling

Check that cabling will not be subject to wear, corrosion, excessive pressure, vibration, sharp edges or any other adverse environmental effects. The check shall also take into account the effects of aging or continual vibration from sources such as compressors or fans.

Detection of flammable refrigerants

Under no circumstances shall potential sources of ignition be used in the searching for or detection of refrigerant leaks. A halide torch or any other detector using a naked flame shall not be used.

Leak detection methods

The following leak detection methods are deemed acceptable for systems containing flammable refrigerants:

- Electronic leak detectors shall be used to detect flammable refrigerants but the sensitivity may not be adequate or may need recalibration. Detection equipment shall be calibrated in a refrigerant-free area. Ensure that the detector is not a potential source of ignition and is suitable for the refrigerant used.
- Leak detection equipment shall be set at a percentage of the LFL of the refrigerant and shall be calibrated to the refrigerant employed and the appropriate percentage of gas (25% maximum) is confirmed.
- Leak detection fluids are suitable for use with most refrigerants but the use of detergents containing chlorine shall be avoided as the chlorine may react with the refrigerant and corrode the copper or pipe-work.
- If a leak is suspected, all naked flames shall be removed or extinguished.
- If a leakage of refrigerant is found which requires brazing, all of the refrigerant shall be recovered from the system or isolated by means of shut off valves in a part of the system remote from the leak. Oxygen free nitrogen (OFN) shall then be purged through the system both before and during the brazing process.

Removal and evacuation

When breaking into the refrigerant circuit to make repairs or for any other purpose conventional procedures shall be used. However, it is important that the best practice is followed since flammability is a consideration. The following procedures shall be adhered to:

- Remove refrigerant.
- Purge the circuit with inert gas.
- Evacuate.
- Purge again with inert gas.
- Open the circuit by cutting or brazing.
- The refrigerant charge shall be recovered into the correct recovery cylinders. The system shall be flushed with OFN to render the unit safe. This process may need to be repeated several times. Compressed air or oxygen shall not be used for this task.
- Flushing shall be achieved by breaking the vacuum in the system with OFN and continuing to fill until the working pressure is achieved, then venting to atmosphere and finally pulling down to a vacuum. This process shall be repeated until no refrigerant is within the system. When the final OFN charge is used, the system shall be vented down to atmospheric pressure to enable work to take place. This operation is absolutely vital is brazing operations on the pipe-work are to take place.
- Ensure that the outlet for the vacuum pump is not close to any ignition sources and there is ventilation available.

Charging procedures

In addition to conventional charging procedures, the following requirements shall be followed:

- Ensure that contamination of different refrigerants does not occur when using charging equipment. Hoses or lines shall be as short as possible to minimize the amount of refrigerant contained in them.
- Cylinders shall be kept upright.
- Ensure that the refrigeration system is earthed prior to charging the system with refrigerant.
- Label the system when charging is complete, if not already labeled.
- Extreme care shall be taken not to overfill the refrigeration system.
- Prior to recharging the system it shall be pressure tested with OFN. The system shall be leak tested on completion of charging but prior to commissioning. A follow up leak test shall be carried out prior to leaving the site.



Important Safety Information

READ AND FOLLOW ALL SAFETY INSTRUCTIONS

Decommissioning

Before carrying out this procedure, it is essential that the technician is completely familiar with the equipment in all its detail. It is recommended good practice that all refrigerants are recovered safely. Prior to the task being carried out, an oil and refrigerant sample shall be taken in case analysis is required prior to re-use of reclaimed refrigerant. It is essential that electrical power is available before the task is commenced.

- A. Become familiar with the equipment and its operation.
- B. Isolate system electrically.
- C. Before attempting the procedure ensure that:
 - Mechanical handling equipment is available if required for handling refrigerant cylinders.
 - All personal protective equipment is available and being used correctly.
 - The recovery process is supervised at all times by a competent person.
 - Recovery equipment and cylinders conform to the appropriate standards.
- D. Pump down refrigerant system, if possible.
- E. If a vacuum is not possible, make a manifold so that refrigerant can be removed from various parts of the system.
- F. Make sure that cylinder is situated on the scales before recovery takes place.
- G. Start the recovery machine and operate in accordance with the manufacturer's instructions.
- H. Do not overfill cylinders. No more than 80% volume liquid charge.
- I. Do not exceed the maximum working pressure of the cylinder, even temporarily.
- J. When the cylinders have been filled correctly and the process is completed, make sure that the cylinders and the equipment are removed from the site promptly and all isolation valves on the equipment are closed off.
- K. Recovered refrigerant shall not be charged into another refrigeration system unless it has been cleaned and checked.

Labeling

Equipment shall be labeled stating that it has been decommissioned and emptied of refrigerant. The label shall be dated and signed. Ensure that there are labels on the equipment stating the equipment contains flammable refrigerant.

Recovery

When removing refrigerant from a system, either for servicing or decommissioning, it is recommended good practice that all refrigerants are removed safely.

When transferring refrigerant into cylinders, ensure that only appropriate refrigerant recovery cylinders are employed. Ensure that the correct number of cylinders for holding the total system charge are available. All cylinders to be used are designed for the recovered refrigerant and labeled for that refrigerant, i.e. special cylinders for the recovery of refrigerant. Cylinders shall be complete with pressure relief valve and associated shut-off valves in good working order. Empty recovery cylinders are evacuated and, if possible, cooled before recovery occurs.

The recovery equipment shall be in good working order with a set of instructions concerning the equipment that is at hand and shall be suitable for the recovery of flammable refrigerants. In addition, a set of calibrated weighing scales shall be available and in good working order. Hoses shall be complete with leak-free disconnect couplings and in good condition. Before using the recovery machine, check that it is in satisfactory working order, has been properly maintained and that any associated electrical components are sealed to prevent ignition in the event of a refrigerant leak. Consult the manufacturer if in doubt.

The recovered refrigerant shall be returned to the refrigerant supplier in the correct recovery cylinder and the relevant waste transfer note shall be arranged. Do not mix refrigerants in recovery units and especially not in cylinders. If compressors or compressor oils are to be removed, ensure that they have been evacuated to an acceptable level to make certain that flammable refrigerant does not remain within the lubricant. The evacuation process shall be carried out prior to returning the compressor to the suppliers. Only electric heating to the compressor body shall be employed to accelerate this process. When oil is drained from a system, it shall be carried out safely.

INSTALLATION INSTRUCTIONS

LOCATION

This air conditioner is designed for single or double hung windows. Since window designs vary, it may be necessary to make some modifications for safe installation.

This air conditioner is not designed for vertical, slider type windows or "through the wall" installation.

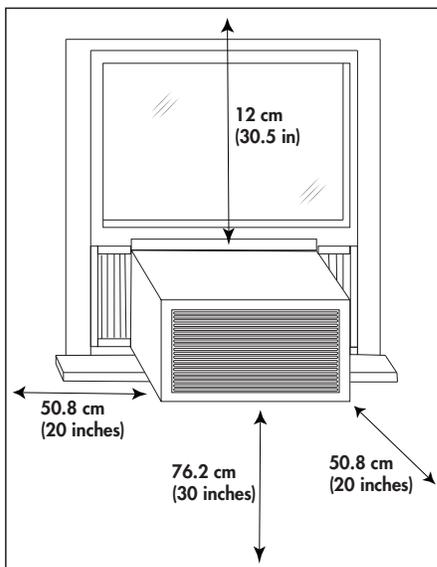
Ensure that the window and frame are structurally sound and free from dry or rotted wood.

Install the air conditioner in a window on a side of the building which favors more shade than sunlight. If the appliance must be in direct sunlight, it is advisable to provide a shade awning over the appliance to ensure efficient functioning.

Do not install the appliance where leakage of combustible gas is suspected.

This appliance is designed to evaporate condensation under normal conditions. Under extremely hot or humid conditions, excess condensation may overflow to the outside. The appliance should be installed where condensation cannot drip on pedestrians or neighboring properties.

Provide sufficient clearance around the appliance to allow ample air circulation. The rear of the appliance should be outdoors, it should not be in a garage or another room. Keep the appliance away from obstacles and at least 76 cm (30 inches) above the ground. Ensure that curtains and other obstructions do not block air flow to the appliance.



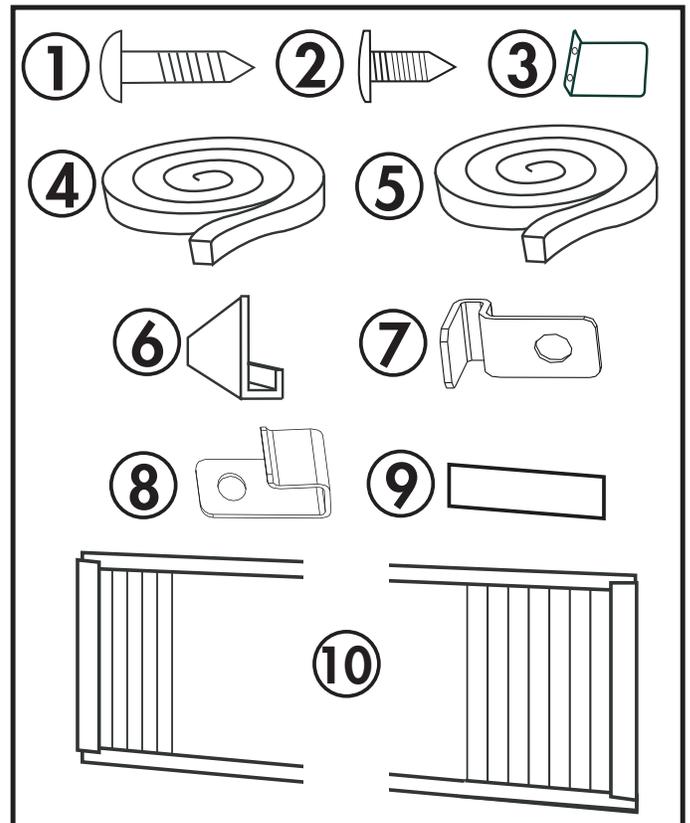
REQUIRED TOOLS

- Screwdrivers: Phillips and flat head.
- Power Drill: 3.2mm (1/8") diameter drill bit
- Pencil
- Measuring Tape
- Scissors
- Carpenter's Level

ACCESSORIES

The following accessories are included with the appliance and should be used during the installation.

1. 13 mm (1/2 inch) screws (x7)
2. 9.5 mm (3/8 inch) screws (x4) (Factory installed on some models.)
3. Safety Lock
4. Adhesive foam seal
5. Regular foam seal
6. "L" shaped mounting bracket (Factory installed on some models.)
7. Bracket for wood windows (x2)
8. Bracket for vinyl windows (x2)
9. Weather stripping (x5)
10. Side curtains (x2)



INSTALLATION INSTRUCTIONS

INSTALLATION

Attach the side curtains to the appliance by sliding the curtain frame into the side channel of the cabinet. The curtains are labeled "left" and "right" on the frames. This refers to the left and right sides of the appliance when facing the front of the appliance.

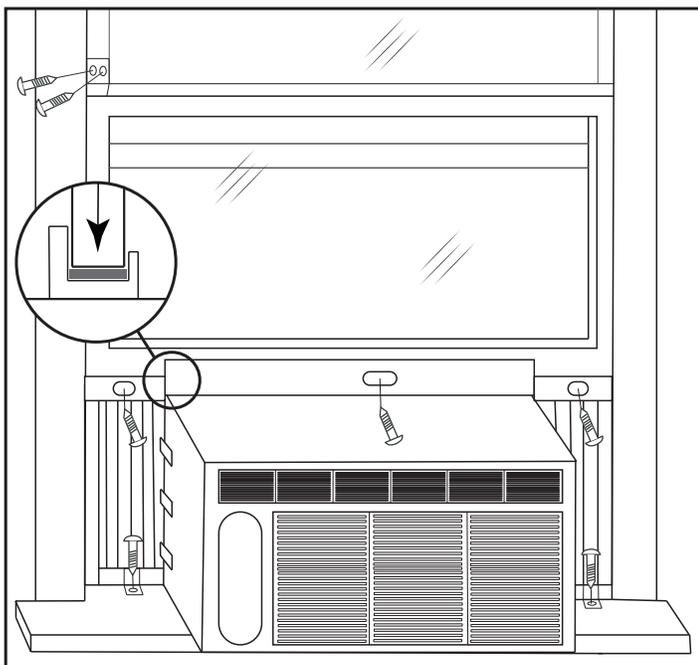
Cut the regular foam seal to fit the area of the window sill that the air conditioner will rest on.

Place the air conditioner into the window with the "L" shaped mounting bracket positioned in front of the upper sash. The bottom of the cabinet should be positioned on the recessed portion of the window frame. Pull the upper window sash down until it rests just behind the front flange of the "L" shaped mounting bracket.

Expand the side curtains on each side and secure the top of the frames to the window sash using one 13 mm (1/2") screw on each side of the "L" shaped mounting bracket.

Attach the clamps on the lower part of each curtain to the window sill using one 13 mm (1/2") screw on each side of the cabinet.

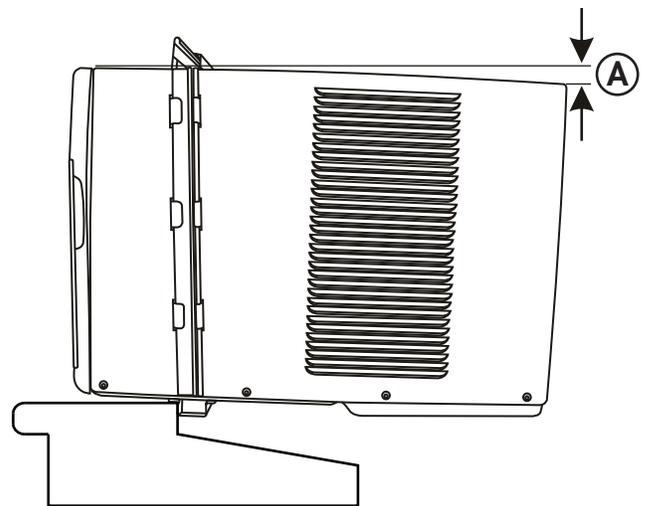
Place the adhesive foam seal into the opening between the inside and outside windows and attached the safety lock to the outside window frame using two 13 mm (1/2") screws.



Check the Tilt Angle

The air conditioner should be tilted downward towards the outside approximately 3° to 4°. This tilt will encourage any condensed water to drain to the outside. If any condensed water leaks to the inside of the house, check the tilt angle and adjust as necessary.

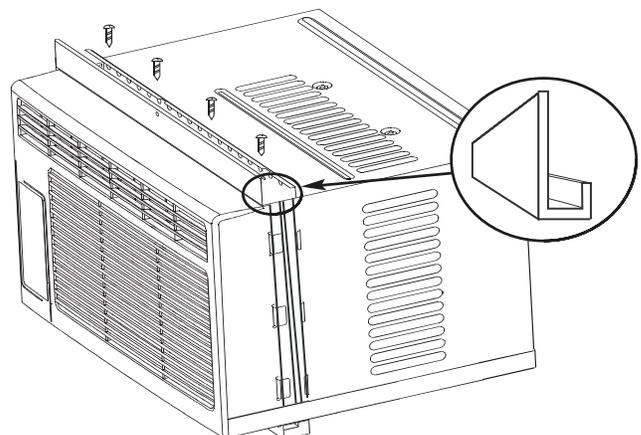
Measure the tilt angle from the front of the cabinet's edge. The difference in height between the front and the back of the appliance, labeled "A" on the image below, should be approximately 19 mm - 2.5 cm (3/4" - 1").



L BRACKET

The "L" shaped bracket may come factory installed on some models.

If the "L" shaped bracket is not pre-installed, attach it to the top of the cabinet as shown below using the provided 9.5 mm (3/8") screws (x4).



OPERATING INSTRUCTIONS

CONTROL PANEL

1. Display panel

- Displays the set temperature
 - While in fan mode, shows the room temperature
- A. Energy saver mode indicator
B. Wireless connection indicator
C. Cool mode indicator
D. Fan mode indicator
E. Temperature display
F. Temperature scale indicator
G. Filter reset indicator

2. Mode button:

- Used to choose the operating mode.
- The filter reset indicator will illuminate after 250 hours of use as a reminder to clean the filter. After cleaning the filter, press and hold the mode button for 3 seconds to clear the filter reset indicator.

3. Increase and decrease buttons:

- Used to adjust the set temperature.
- Press and hold the increase and decrease buttons for 3 seconds to change between °C and °F.

4. Power Button: Used to turn the appliance on or off.

FUNCTION INSTRUCTION

Operating Modes

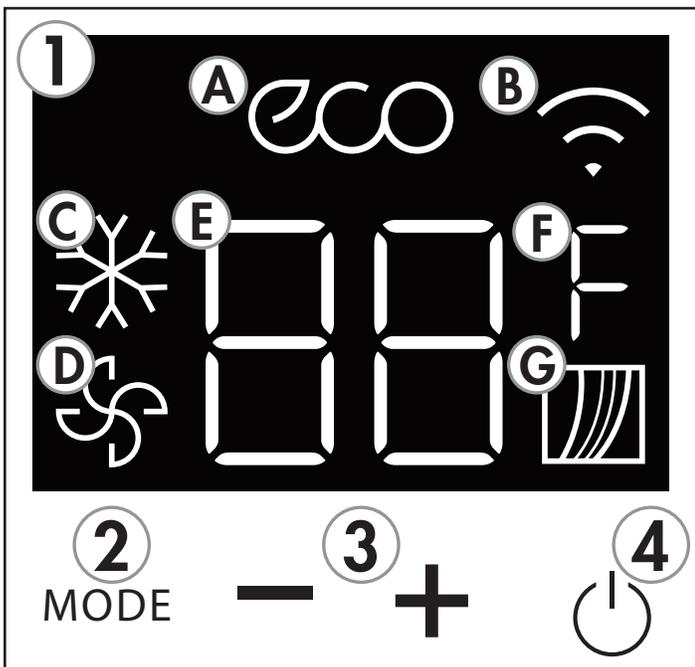
• Cool Mode

Choose cool mode to set the cooling function. Use the up and down arrows to choose the desired temperature. When cool mode is selected, the fan speed can be adjusted by pressing the fan button on the remote control.

The temperature can be set within a range of 17°C - 30°C (62°F - 86°F).

• Fan Mode

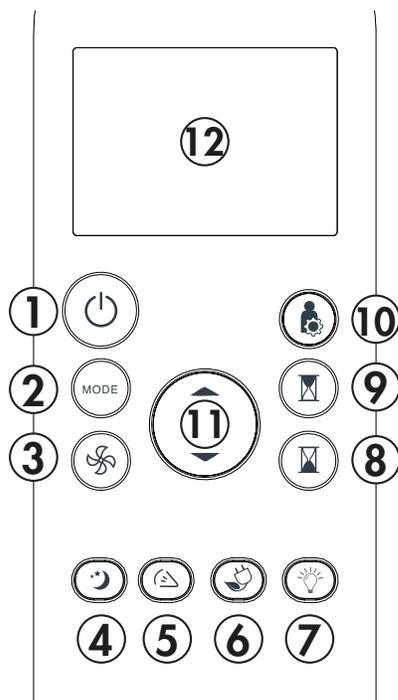
Choose fan mode to run the internal fan without engaging the cooling function. Press the fan button on the remote control repeatedly to choose the fan speed.



OPERATING INSTRUCTIONS

REMOTE CONTROL

- 1. Power Button:** Used to turn the appliance on or off.
- 2. Mode Button:** Used to choose the operating mode.
- 3. Fan Button:** Used to set the fan speed.
- 4. Sleep Button:** Used to set the sleep function.
- 5. Swing button:** Used to set the angle of the louver on the top of the appliance.
 - Press once to begin the swing function.
 - Press a second time to stop the louver when it has reached the desired angle.
- 6. Energy Saver Button:** Used to set the energy saver function.
- 7. LED Button:**
 - Press to turn the LED back light on or off.
 - Press 7 times to activate the wireless connection. Follow the directions on the wireless connection app for more information.
- 8. Timer off button:** Press to set the automatic off timer.
- 9. Timer on button:** Press to set the automatic on timer.
- 10. Shortcut button:** Press to set and activate the short cut function.
- 11. Increase and decrease buttons:**
 - Used to adjust the set temperature.
 - Press and hold the increase and decrease buttons for 3 seconds to change between °C and °F.
- 12. LED display:** Shows the set temperature and timer setting.



REMOTE CONTROL BATTERIES

The remote control requires two AAA alkaline batteries (included). Batteries should be replaced when:

- No sound is heard when attempting to program the appliance.
- The appliance does not respond to a command issued by the remote control.

Battery replacement:

- Slide the rear cover on the remote in the direction of the arrow.
- Insert two AAA batteries following the same orientation depicted inside the battery chamber (+/-).
- Reinstall the rear cover.
- If the remote control will not be used for extended periods of time, the batteries should be removed.

Notes:

- Protect the remote control from high temperatures, and keep it away from radiation exposure.
- Keep the control panel receiver out of direct sunlight.
- Do not mix old and new batteries.
- Do not mix alkaline, standard (carbon-zinc), or rechargeable (ni-cad, ni-mh, etc) batteries.
- The remote operates within a range of 8 meters (26 ft.) from the receiver located inside the main appliance. Any obstruction between the receiver and remote may cause signal interference, limiting the ability to program the main unit.

OPERATING INSTRUCTIONS

SHORTCUT FUNCTION

The shortcut function is only available on the remote control. It can be used to set a favourite setting.

1. Set the appliance to the temperature and fan speed that you would like to set as a favourite.
2. Press and hold the shortcut button for 2 seconds.
3. Press the shortcut button at any point in future to return to the favourite setting.

If no favourite is set, pressing the shortcut button will cause the appliance to run in auto mode at 29°C (79°F), with fan speed set to auto.

TIMER FUNCTION

The timer function is only available on the remote control. It can be used to turn the appliance on or off after a set period of time.

To set the automatic timer:

1. Press the timer on or timer off button depending on whether the appliance should turn on or off after the set period of time.
2. Use the timer buttons to select the desired amount of time before the appliance should turn on. The timer buttons will add or subtract time in 30 minute increments up to 10 hours and then in 1 hour increments up to 24 hours.
3. Turning the appliance on or off at any time will cancel the timer settings.

ENERGY SAVER FUNCTION

The energy saver function is only available on the remote control in cool mode. It will automatically cycle the fan on and off when the compressor is not in use to minimize how often the compressor needs to turn on.

The fan will continue to run for 3 minutes after the compressor turns off. The fan will then cycle on for 2 minutes in 10 minute intervals until the ambient temperature is above the set temperature, at which point the compressor will turn on and cooling will resume.

SLEEP FUNCTION

The sleep function can be used to conserve energy during sleeping hours.

When selected, the set temperature will increase by 1°C/2°F every half hour for one full hour. The appliance will hold the new set temperature for 6 hours before automatically returning to normal operation.

The sleep function can be canceled at any time by pressing the sleep button.

WIRELESS CONNECTION

This appliance can be controlled with a wireless application on your wireless device.

Visit <https://www.danby.com/support/#apps> to download the application and learn about its operation.

CARE & MAINTENANCE

AIR FILTER

The air filter should be cleaned approximately every 2 weeks. The air filter may require more frequent cleaning if there is significant dander or fur in the air.

Approximately every two weeks, the filter indicator light on the control panel will illuminate as a reminder to clean the filter. Follow the steps below to clean the filter and return the appliance to normal functioning.

1. The air filter is located behind the front intake grill. To remove the air filter, grasp the filter tab on the right side of the grill and slide it out to the right. If the front intake grill has two indents, pull the grill forward to remove the air filter.
2. Use a vacuum cleaner with a soft brush attachment to remove any large debris or dust build up from the air filter.
3. Wash the filter in lukewarm, soapy water, below 40°C (104°F), or use a neutral cleaning agent.
4. Rinse the filter with clean water and dry thoroughly before reinstalling in the appliance.
5. Press the filter button on the control panel to resume normal functioning.

Note: Do not operate the appliance without the air filter installed.

ERROR CODES

If the display panel shows any of the below error codes, unplug the appliance, let it stand for 5-10 minutes and then plug it back in. If the error persists, call for service.

LO - Displayed when the room temperature is lower than 0°C (32°F).

HI - Displayed when the room temperature is higher than 37°C (99°F).

AS - Room temperature sensor error.

ES - Evaporator temperature sensor error.

CLEANING

To avoid possible electric shock, ensure that the appliance is unplugged before performing any cleaning or maintenance.

The outside of the appliance can be wiped clean with a soft cloth or with a lukewarm, damp cloth if necessary.

Do not use gasoline, benzene, thinner or any other chemicals to clean this appliance as these substances can cause damage to the finish and deformation of plastic parts.

Never pour water directly onto the appliance as this will cause deterioration of electrical components and wiring insulation.

END OF SEASON CARE

Before removing the appliance from service for the year, operate the appliance on high fan mode for half a day to ensure the inside of the appliance is dry. This will help avoid the growth of mold or mildew inside the appliance. Ensure the filter is clean and dry. Store the appliance covered in a dry location.

Note: When installing or removing the appliance from the window, ensure that caution is taken to prevent it from falling backward. It is recommended that installation or removal is completed with assistance to prevent injury to persons or damage to property or the appliance.

DISPOSAL

Check for local regulatory compliance regarding approved and safe disposal of this appliance.

TROUBLESHOOTING

Danby Consumer Care: 1-800-263-2629 or consumerservice@danby.com

Hours of operation:

Monday to Thursday 8:30 am - 6:00 pm Eastern Standard Time

Friday 8:30 am - 4:00 pm Eastern Standard Time

Information in this manual is subject to change without notice.

PROBLEM	POSSIBLE CAUSE
Appliance will not operate	<ul style="list-style-type: none"> • Plug is not fully inserted into the wall outlet • Blown fuse or circuit breaker
Insufficient cooling	<ul style="list-style-type: none"> • Air filter is dirty • Blocked air flow • Appliance size is too small for application
Noise	<ul style="list-style-type: none"> • Inadequate support in window installation
Odors	<ul style="list-style-type: none"> • Formation of mold or mildew on internal wet surfaces • Place an algacide tablet in base pan; push the tablet through the grill on either side of the appliance
Water dripping inside	<ul style="list-style-type: none"> • Appliance is not properly angled to allow water to drain to the outside
Water dripping outside	<ul style="list-style-type: none"> • On very hot or humid days dripping water from the back of the appliance is normal
Frost build up	<ul style="list-style-type: none"> • When outdoor temperatures are below 18.3°C (65°F) frost may form when the appliance is in cooling mode • Switch the appliance to fan only mode until the frost melts

This Class B digital apparatus complies with the Canadian ICES-003 standard. CAN ICES-3 (B)

This equipment has been tested and found to comply with the limits for a Class B digital device, pursuant to Part 15 of the FCC Rules. These limits are designed to provide reasonable protection against interference in a residential installation.

This equipment generates, uses and can radiate radio frequency energy and, if not installed and used in accordance with the instructions, may cause interference to radio communications. However, there is no guarantee that interference will not occur in a particular installation.

If this equipment does cause interference to radio or television reception, which can be determined by turning the equipment off and on, the user is encouraged to try to correct the interference by one or more of the following measures:

1. Reorient or relocate the receiving antenna.
2. Increase the separation between the equipment and receiver.
3. Connect the equipment into an outlet on a circuit different from that to which the receiver is connected.
4. Consult the dealer or an experienced radio/TV technician for help.

Changes or modifications not approved by the party responsible for FCC compliance could void the user's authority to operate the equipment. This appliance complies with Part 15 of the FCC Rules.

Operation is subject to the following two conditions:

1. This device may not cause interference.
2. This device must accept any interference received, including interference that may cause undesired operation.

LIMITED "CARRY IN" WARRANTY

This quality product is warranted to be free from manufacturer's defects in material and workmanship, provided that the unit is used under the normal operating conditions intended by the manufacturer.

This warranty is available only to the person to whom the unit was originally sold by Danby Products Limited (Canada) or Danby Products Inc. (U.S.A.) (hereafter "Danby") or by an authorized distributor of Danby, and is non-transferable.

TERMS OF WARRANTY

Plastic parts are warranted for thirty (30) days from the date of purchase, with no extensions provided.

First 24 months During the first **twenty four (24) months**, any functional parts of this product found to be defective, will be repaired or replaced, at warrantor's option, at no charge to the original purchaser.

To obtain service Contact the dealer where the unit was purchased, or contact the nearest authorized Danby service depot, where service must be performed by a qualified service technician. If service is performed on the unit by anyone other than an authorized service depot, all obligations of Danby under this warranty shall be void.

It is the responsibility of the purchaser to transport the appliance to the nearest authorized service depot.

Transportation charges to and from the service location are not protected by this warranty and are the responsibility of the purchaser.

Nothing within this warranty shall imply that Danby will be responsible or liable for any spoilage or damage to food or other contents of this appliance, whether due to any defect of the appliance, or its use, whether proper or improper.

EXCLUSIONS

Save as herein provided, by Danby, there are no other warranties, conditions, representations or guarantees, express or implied, made or intended by Danby or its authorized distributors and all other warranties, conditions, representations or guarantees, including any warranties, conditions, representations or guarantees under any Sale of Goods Act or like legislation or statute is hereby expressly excluded. Save as herein provided, **Danby shall not be responsible for any damages to persons or property, including the unit itself, howsoever caused or any consequential damages arising from the malfunction of the unit and by the purchase of the unit, the purchaser does hereby agree to indemnify and hold harmless Danby from any claim for damages to persons or property caused by the unit.**

GENERAL PROVISIONS

No warranty or insurance herein contained or set out shall apply when damage or repair is caused by any of the following:

- 1) Power failure.
- 2) Damage in transit or when moving the appliance.
- 3) Improper power supply such as low voltage, defective house wiring or inadequate fuses.
- 4) Accident, alteration, abuse or misuse of the appliance such as inadequate air circulation in the room or abnormal operating conditions (ie. extremely high or low room temperature).
- 5) Use for commercial or industrial purposes (ie. If the appliance is not installed in a domestic residence).
- 6) Fire, water damage, theft, war, riot, hostility, acts of God such as hurricanes, floods etc.
- 7) Service calls resulting in customer education.
- 8) Improper Installation (ie. Building-in of a free standing appliance or using an appliance outdoors that is not approved for outdoor application, including but not limited to: garages, patios, porches or anywhere that is not properly insulated or climate controlled).

Proof of purchase date will be required for warranty claims; retain bills of sale. In the event that warranty service is required, present the proof of purchase to our authorized service depot.

Warranty Service
Carry In

Danby Products Limited
PO Box 1778, Guelph, Ontario, Canada N1H 6Z9
Telephone: (519) 837-0920 FAX: (519) 837-0449

1-800-263-2629
04/17

Danby Products Inc.
PO Box 669, Findlay, Ohio, U.S.A. 45840
Telephone: (419) 425-8627 FAX: (419) 425-8629

Bienvenue

Bienvenue à la famille Danby. Nous sommes fiers de la qualité de nos produits et nous croyons en le service fiable. Nous vous suggérons de lire ce manuel d'utilisation avant de brancher votre nouvel appareil car il contient des informations importantes sur l'utilisation, la sécurité, le dépannage et la maintenance, afin d'assurer la fiabilité et la longévité de votre appareil.

Visitez www.Danby.com pour accéder aux outils d'autoservice, aux FAQ et bien plus encore. Pour obtenir de l'aide supplémentaire, composez **1-800-263-2629**.

Notez les informations ci-dessous; Vous aurez besoin de cette information pour obtenir un service sous garantie.

Vous devez fournir le reçu d'achat original pour valider votre garantie et recevoir le service.

Numéro de modèle: _____

Numéro de serie: _____

Date d'achat: _____

Besoin d'assistance?

Avant d'appeler pour service, voici quelques choses que vous pouvez faire pour nous aider à mieux vous servir.

Lire ce manuel du propriétaire:

Il contient des instructions pour vous aider à utiliser et à maintenir votre appareil correctement.

Si vous recevez un appareil endommagé:

Contactez immédiatement le revendeur ou l'entrepreneur qui vous a vendu l'appareil.

Gagnez du temps et de l'argent:

Avant d'appeler pour service, consultez la section de dépannage à la fin de ce manuel. Cette section vous aidera à résoudre les problèmes courants pouvant survenir.



1-800-26- Danby
(1-800-263-2629)



Consignes de sécurité importantes

LIRE ET SUIVRE TOUTES LES INSTRUCTIONS DE SÉCURITÉ



EXIGENCES DE SÉCURITÉ

DANGER: Risque d'incendie ou d'explosion.
Fluide frigorigène inflammable utilisé. Ne pas endommager le circuit de réfrigérant.

- Assurez-vous que les réparations sont effectuées par du personnel autorisé par l'usine, afin de minimiser les dommages au produit ou les problèmes de sécurité.
- Consultez le manuel de réparation ou le guide du propriétaire avant de tenter de réparer ce produit. Toutes les précautions de sécurité doivent être suivies.
- Éliminer correctement conformément aux réglementations fédérales ou locales.
- Suivez attentivement les instructions de manipulation.
- Veillez à ce que les ouvertures de ventilation de l'appareil ne soient pas obstruées.
- N'utilisez pas d'appareils mécaniques ou d'autres moyens pour accélérer le processus de dégivrage.
- Les enfants doivent être surveillés pour s'assurer qu'ils ne jouent pas avec l'appareil.
- Ne rangez pas et n'installez pas l'appareil à proximité de sources d'allumage fonctionnant en continu, telles que des flammes nues ou une cuisinière à gaz.
- Ne pas utiliser près de l'eau ou dans une pièce humide.
- Ne pas percer ou brûler.
- Sachez que les réfrigérants peuvent ne pas contenir d'odeur.
- L'appareil doit être rangé de manière à éviter tout dommage mécanique.

Tout le câblage doit être conforme aux codes locaux et nationaux et doit être installé par un électricien qualifié. Vérifiez l'alimentation disponible et résolvez tout problème de câblage avant d'installer et d'utiliser cet appareil.

La plaque signalétique située sur le côté droit de l'appareil, juste au-dessus du cordon d'alimentation, contient des données électriques et techniques.

Cet appareil n'est pas destiné à être utilisé par des personnes (y compris des enfants) dont les capacités physiques, sensorielles ou mentales peuvent être différentes ou réduites, ou qui manquent d'expérience ou de connaissances, à moins que ces personnes ne soient supervisées ou formées pour faire fonctionner l'appareil par une personne responsable de leur utilisation. sécurité.

INSTRUCTIONS DE MISE À LA TERRE

Cet appareil doit être mis à la terre. La mise à la terre réduit le risque de choc électrique en fournissant un fil d'échappement pour le courant électrique.

Cet appareil possède un cordon doté d'un fil de mise à la terre avec une fiche à 3 broches. Le cordon d'alimentation doit être branché sur une prise correctement mise à la terre. Si la sortie est une prise murale à 2 broches, elle doit être remplacée par une prise murale à 3 broches correctement mise à la terre. La plaque signalétique en série indique la tension et la fréquence auxquelles l'appareil est conçu.

AVERTISSEMENT - Une utilisation incorrecte de la fiche de mise à la terre peut entraîner un risque d'électrocution. Consultez un électricien qualifié ou un agent de service si les instructions de mise à la terre ne sont pas complètement comprises ou s'il existe un doute quant à savoir si l'appareil est correctement mis à la terre.

Ne branchez pas votre appareil à des rallonges ou avec un autre appareil dans la même prise murale. Ne pas épisser le cordon d'alimentation. Ne coupez ou retirez en aucun cas la troisième broche du cordon d'alimentation. N'utilisez pas de cordons de prolongement ou d'adaptateurs sans mise à la terre (deux broches).

Si le cordon d'alimentation est endommagé, il doit être remplacé par le fabricant, son agent de service ou une personne qualifiée similaire afin d'éviter tout risque.



ATTENTION: RISQUE D'INCENDIE

Fluide frigorigène inflammable utilisé. Lors de l'entretien ou de la mise au rebut du climatiseur, le réfrigérant ne doit pas pouvoir s'échapper à l'air libre.

GARDEZ CES INSTRUCTIONS!



Consignes de sécurité importantes

LIRE ET SUIVRE TOUTES LES INSTRUCTIONS DE SÉCURITÉ

Toute personne impliquée dans le travail sur le circuit de fluide frigorigène doit détenir un certificat en cours de validité, délivré par une autorité d'évaluation accréditée du secteur, attestant de sa compétence pour manipuler les fluides frigorigènes en toute sécurité, conformément à une spécification d'évaluation reconnue par l'industrie.

L'entretien ne doit être effectué que selon les recommandations du fabricant. L'entretien et les réparations nécessitant l'assistance d'un autre personnel qualifié doivent être effectués sous la supervision de la personne compétente pour l'utilisation de réfrigérants inflammables.

Lors de l'entretien ou de la mise au rebut de l'appareil, le réfrigérant doit être récupéré correctement et ne doit pas être autorisé à se décharger directement dans l'air.

Informations sur le service

- 1. Chèques à la région:** Avant de commencer à travailler sur des systèmes contenant des frigorigènes inflammables, des contrôles de sécurité sont nécessaires pour réduire au minimum le risque d'inflammation. Pour réparer le système de réfrigération, les précautions suivantes doivent être respectées avant de procéder à des travaux sur le système.
- 2. Procédure de travail:** Les travaux doivent être effectués selon une procédure contrôlée, de manière à minimiser le risque de présence de gaz ou de vapeurs inflammables pendant l'exécution des travaux.
- 3. Zone de travail générale:** Tout le personnel de maintenance et les autres personnes travaillant dans la zone locale doivent être informés de la nature des travaux effectués. Les travaux dans des espaces confinés doivent être évités. La zone autour de l'espace de travail doit être divisée. Assurez-vous que les conditions dans la zone de travail ont été sécurisées en retirant tout matériau inflammable.
- 4. Vérification de la présence de réfrigérant:** Les sont doivent être vérifiés avec un détecteur de réfrigérant approprié avant et pendant le travail pour s'assurer que le technicien est conscient des atmosphères potentiellement inflammables. Assurez-vous que l'équipement de détection des fuites utilisé convient aux fluides frigorigènes inflammables, c'est-à-dire qu'il ne produit pas d'étincelles, est correctement scellé et de sécurité intrinsèque.
- 5. Présence d'extincteur:** Si des travaux à chaud doivent être effectués sur l'équipement de réfrigération ou sur toute pièce associée, un équipement d'extinction d'incendie approprié doit être disponible. Avoir un extincteur à poudre sèche ou au CO2 adjacent à la zone de travail.
- 6. Aucune source d'inflammation:** Aucune personne effectuant des travaux en rapport avec un système de réfrigération impliquant l'exposition de tuyauteries contenant ou ayant contenu un réfrigérant inflammable ne doit utiliser une source d'inflammation de manière à entraîner un risque d'incendie ou d'explosion. Toutes les sources d'inflammation possibles, y compris le tabagisme, doivent être suffisamment éloignées du lieu d'installation, de réparation, de retrait et d'élimination, pendant lesquelles un réfrigérant inflammable peut éventuellement être rejeté dans l'espace environnant. Avant le début des travaux, la zone autour de l'équipement doit être inspectée pour s'assurer qu'il n'y a pas de danger d'inflammabilité ou de risque d'inflammation. Aucun signe de fumer ne doit être affiché.
- 7. Zone ventilée:** Assurez-vous que la zone est à l'air libre ou qu'elle est correctement ventilée avant de pénétrer dans le système ou d'effectuer des travaux à chaud. Une certaine ventilation doit être maintenue pendant la durée des travaux. La ventilation doit disperser en toute sécurité tout fluide réfrigérant libéré et de préférence l'expulser de l'extérieur vers l'atmosphère.
- 8. Contrôles à l'équipement de réfrigération:** Lorsque des composants électriques sont remplacés, ils doivent être adaptés à l'usage prévu et aux spécifications appropriées. Respectez à tout moment les directives du fabricant en matière d'entretien et de maintenance. En cas de doute, consultez le service technique du fabricant.



Consignes de sécurité importantes

LIRE ET SUIVRE TOUTES LES INSTRUCTIONS DE SÉCURITÉ

Les contrôles suivants doivent être appliqués aux installations utilisant des réfrigérants inflammables:

- La taille de la charge est conforme à la taille de la pièce dans laquelle les pièces contenant le réfrigérant sont installées.
- Les machines de ventilation et les sorties fonctionnent de manière adéquate et ne sont pas obstruées.
- Si un circuit de réfrigération indirect est utilisé, le circuit secondaire doit être vérifié pour la présence de réfrigérant.
- Le marquage sur l'équipement continue d'être visible et lisible. Les marques et les signes qui deviennent illisibles doivent être corrigés.
- Les tuyaux ou composants de réfrigération sont installés dans une position où ils ne risquent pas d'être exposés à une substance susceptible de corroder les composants contenant du réfrigérant, à moins que les composants ne soient construits avec des matériaux intrinsèquement résistants à la corrosion ou protégés de manière adéquate.

9. Contrôles aux appareils électriques: La réparation et la maintenance des composants électriques doivent inclure les contrôles de sécurité initiaux et les procédures d'inspection des composants. S'il existe un défaut susceptible de compromettre la sécurité, aucune alimentation électrique ne doit être connectée au circuit jusqu'à ce que le problème soit résolu. Si le défaut ne peut pas être corrigé immédiatement mais qu'il est nécessaire de poursuivre le fonctionnement, une solution temporaire adéquate doit être utilisée. Cela doit être signalé au propriétaire de l'équipement afin que toutes les parties soient informées.

Les contrôles de sécurité initiaux doivent inclure:

- Que les condensateurs sont déchargés. Ceci doit être fait de manière sûre pour éviter la possibilité d'étincelles.
- Qu'aucun composant ni câblage électrique sous tension ne soit exposé pendant le chargement, la récupération ou la purge du système.
- Qu'il existe une continuité de la mise à la terre.

Réparation de composants scellés

1. Lors de la réparation de composants scellés, toutes les alimentations électriques doivent être débranchées de l'équipement utilisé avant toute dépose de couvercles scellés, etc. S'il est absolument nécessaire de prévoir une alimentation électrique de l'équipement pendant l'entretien, une détection des fuites fonctionnant en permanence doit être situé au point le plus critique pour avertir d'une situation potentiellement dangereuse.
2. Afin de garantir qu'en manipulant des composants électriques, le boîtier ne soit pas modifié de telle sorte que le niveau de protection soit affecté, une attention particulière doit être accordée aux éléments suivants:
 - Dommages aux câbles, nombre excessif de connexions, bornes non conformes aux spécifications d'origine, dommages aux joints, mauvais montage des presse-étoupes, etc.
 - Assurez-vous que l'appareil est bien monté.
 - Assurez-vous que les joints ou les matériaux d'étanchéité ne se sont pas dégradés de telle sorte qu'ils ne servent plus à empêcher la pénétration d'atmosphères inflammables. Les pièces de rechange doivent être conformes aux spécifications du fabricant.

Remarque: l'utilisation d'un produit d'étanchéité à base de silicone peut nuire à l'efficacité de certains types d'équipement de détection de fuites. Les composants de sécurité intrinsèque ne doivent pas nécessairement être isolés avant de travailler dessus.

Réparation de composants à sécurité intrinsèque

N'appliquez aucune charge inductive ou capacitive permanente sur le circuit sans vous assurer que cela ne dépassera pas la tension et le courant autorisés pour l'équipement utilisé. Les composants à sécurité intrinsèque sont les seuls types sur lesquels on peut travailler tout en vivant dans une atmosphère inflammable. L'appareil d'essai doit avoir la cote correcte. Remplacez les composants uniquement par des pièces spécifiées par le fabricant. D'autres pièces peuvent provoquer l'inflammation de réfrigérant dans l'atmosphère par une fuite.



Consignes de sécurité importantes

LIRE ET SUIVRE TOUTES LES INSTRUCTIONS DE SÉCURITÉ

Le câblage

Vérifiez que le câblage ne sera pas soumis à l'usure, à la corrosion, à une pression excessive, aux vibrations, aux arêtes vives ou à tout autre effet néfaste sur l'environnement. La vérification doit également prendre en compte les effets du vieillissement ou des vibrations continues provenant de sources telles que les compresseurs ou les ventilateurs.

Détection de réfrigérants inflammables

En aucun cas, des sources d'inflammation potentielles ne doivent être utilisées pour rechercher ou détecter des fuites de réfrigérant. Une lampe à incandescence ou tout autre détecteur utilisant une flamme nue ne doit pas être utilisé.

Méthodes de détection de fuite

Les méthodes de détection des fuites suivantes sont jugées acceptables pour les systèmes contenant des réfrigérants inflammables:

- Des détecteurs de fuites électroniques doivent être utilisés pour détecter les réfrigérants inflammables, mais la sensibilité peut ne pas être adéquate ou nécessiter un réétalonnage. L'équipement de détection doit être étalonné dans une zone sans réfrigérant. Assurez-vous que le détecteur n'est pas une source potentielle d'inflammation et qu'il convient au réfrigérant utilisé.
- L'équipement de détection de fuites doit être réglé sur un pourcentage de la LF du réfrigérant et doit être calibré avec le réfrigérant utilisé et le pourcentage de gaz approprié (25% maximum) est confirmé.
- Les fluides de détection des fuites peuvent être utilisés avec la plupart des réfrigérants, mais l'utilisation de détergents contenant du chlore doit être évitée car le chlore peut réagir avec le réfrigérant et corroder le cuivre ou les tuyauteries.
- Si une fuite est suspectée, toutes les flammes nues doivent être supprimées ou éteintes.
- Si une fuite de réfrigérant nécessitant un brasage est détectée, tout le réfrigérant doit être récupéré du système ou isolé au moyen de vannes d'arrêt dans une partie du système éloignée de la fuite. L'azote libre d'oxygène (OFN) doit ensuite être purgé à travers le système avant et pendant le processus de brasage.

Enlèvement et évacuation

Lorsque vous pénétrez dans le circuit de fluide frigorigène pour effectuer des réparations ou à toute autre fin, vous devez utiliser des procédures classiques. Cependant, il est important que la meilleure pratique soit suivie car l'inflammabilité est une considération. Les procédures suivantes doivent être respectées:

- Retirer le réfrigérant.
- Purger le circuit avec du gaz inerte.
- Évacuer.
- Purger à nouveau avec un gaz inerte.
- Ouvrir le circuit en coupant ou en soudant.
- La charge de réfrigérant doit être récupérée dans les bonnes bouteilles de récupération. Le système doit être rincé avec OFN pour sécuriser l'unité. Ce processus peut avoir besoin d'être répété plusieurs fois. L'air comprimé ou l'oxygène ne doit pas être utilisé pour cette tâche.
- Le rinçage doit être réalisé en rompant le vide dans le système avec OFN et en continuant à se remplir jusqu'à atteindre la pression de travail, puis en relâchant dans l'atmosphère et en tirant finalement vers le vide. Ce processus doit être répété jusqu'à ce qu'il n'y ait plus de réfrigérant dans le système. Lorsque la dernière charge OFN est utilisée, le système doit être purgé à la pression atmosphérique pour permettre le travail. Cette opération est absolument essentielle si des opérations de brasage sur la tuyauterie doivent avoir lieu.
- Assurez-vous que la sortie de la pompe à vide ne se trouve pas à proximité de sources d'inflammation et qu'il existe une ventilation.

Procédures de charge

Outre les procédures de chargement classiques, les exigences suivantes doivent être respectées:

- Assurez-vous que les différents réfrigérants ne soient pas contaminés lors de l'utilisation d'un équipement de charge. Les tuyaux ou les conduites doivent être aussi courts que possible pour minimiser la quantité de réfrigérant qu'ils contiennent.
- Les bouteilles doivent être maintenues debout.
- Assurez-vous que le système de réfrigération est mis à la terre avant de le charger avec du réfrigérant.
- Étiquetez le système lorsque le chargement est terminé, s'il ne l'est pas déjà.
- Un soin extrême doit être pris pour ne pas trop remplir le système de réfrigération.
- Avant de recharger le système, il doit être testé sous pression avec OFN. Le système doit être soumis à un test d'étanchéité à la fin du chargement mais avant la mise en service. Un contrôle d'étanchéité doit être effectué avant de quitter le site.



Consignes de sécurité importantes

LIRE ET SUIVRE TOUTES LES INSTRUCTIONS DE SÉCURITÉ

Déclassement

Avant d'effectuer cette procédure, il est essentiel que le technicien connaisse parfaitement l'équipement dans tous ses détails. Il est recommandé, conformément aux bonnes pratiques, que tous les réfrigérants soient récupérés en toute sécurité. Avant l'exécution de la tâche, un échantillon d'huile et de réfrigérant doit être prélevé au cas où une analyse serait nécessaire avant de réutiliser le réfrigérant récupéré. Il est essentiel que l'alimentation électrique soit disponible avant le début de la tâche.

- A. Familiarisez-vous avec l'équipement et son fonctionnement.
- B. Isoler le système électriquement.
- C. Avant de tenter la procédure, assurez-vous que:
 - Un équipement de manutention mécanique est disponible si nécessaire pour la manipulation des bouteilles de réfrigérant.
 - Tous les équipements de protection individuelle sont disponibles et utilisés correctement.
 - Le processus de récupération est supervisé à tout moment par une personne compétente.
 - L'équipement de récupération et les bouteilles sont conformes aux normes appropriées.
- D. Pomper le système de réfrigérant, si possible.
- E. Si le vide n'est pas possible, créez un collecteur afin que le réfrigérant puisse être éliminé de différentes parties du système.
- F. Assurez-vous que le cylindre est situé sur la balance avant la récupération.
- G. Démarrez la machine de récupération et utilisez-la conformément aux instructions du fabricant.
- H. Ne pas trop remplir les bouteilles. Pas plus de 80% de volume de charge liquide.
- I. Ne dépassez pas la pression de service maximale du cylindre, même temporairement.
- J. Lorsque les bouteilles ont été remplies correctement et que le processus est terminé, assurez-vous que les bouteilles et l'équipement sont retirés du site rapidement et que toutes les vannes d'isolement de l'équipement sont fermées.
- K. Le réfrigérant récupéré ne doit pas être chargé dans un autre système de réfrigération à moins d'avoir été nettoyé et vérifié.

Étiquetage

L'équipement doit porter une étiquette indiquant qu'il a été mis hors service et vidé du réfrigérant. L'étiquette doit être datée et signée. Assurez-vous qu'il y a des étiquettes sur l'équipement indiquant que celui-ci contient du réfrigérant inflammable.

Récupération

Lorsque vous retirez du fluide frigorigène d'un système, que ce soit pour un entretien ou une mise hors service, il est recommandé de procéder à l'élimination de tous les fluides frigorigènes en toute sécurité.

Lors du transfert du réfrigérant dans les bouteilles, assurez-vous que seul le récupérateur approprié récupère les bouteilles. Assurez-vous que le nombre correct de cylindres permettant de contenir la charge totale du système est disponible. Tous les cylindres à utiliser sont conçus pour le réfrigérant récupéré et étiquetés pour ce réfrigérant, c'est-à-dire des cylindres spéciaux pour la récupération du réfrigérant. Les bouteilles doivent être équipées d'une soupape de surpression et des vannes d'arrêt associées en bon état de fonctionnement. Les bouteilles de récupération vides sont évacuées et, si possible, refroidies avant la récupération.

L'équipement de récupération doit être en bon état de fonctionnement, avec un ensemble d'instructions concernant l'équipement disponible et doit être adapté à la récupération des réfrigérants inflammables. En outre, un jeu de balances étalonnées doit être disponible et en bon état de fonctionnement. Les flexibles doivent être complets avec des raccords débranchés sans fuite et en bon état. Avant d'utiliser la machine de récupération, vérifiez qu'elle est en bon état de fonctionnement, correctement entretenue et que tous les composants électriques associés sont scellés pour éviter toute inflammation en cas de fuite du réfrigérant. Consultez le fabricant en cas de doute.

Le fluide frigorigène récupéré doit être renvoyé au fournisseur de fluide frigorigène dans la bouteille de récupération appropriée et la note de transfert de déchets correspondante doit être préparée. Ne mélangez pas les réfrigérants dans les unités de récupération et en particulier dans les bouteilles. Si des compresseurs ou des huiles de compresseurs doivent être éliminés, assurez-vous qu'ils ont été évacués à un niveau acceptable pour vous assurer que le réfrigérant inflammable ne reste pas dans le lubrifiant. Le processus d'évacuation doit être effectué avant de renvoyer le compresseur aux fournisseurs. Seul un chauffage électrique du corps du compresseur doit être utilisé pour accélérer ce processus. Lorsque l'huile est vidangée d'un système, elle doit être effectuée en toute sécurité.

INSTRUCTIONS D'INSTALLATION

EMPLACEMENT

Ce climatiseur est conçu pour les fenêtres simples ou doubles. Étant donné que la conception des fenêtres varie, il peut être nécessaire d'apporter certaines modifications pour une installation en toute sécurité.

Ce climatiseur n'est pas conçu pour les fenêtres verticales du type à glissière ni pour l'installation «à travers le mur».

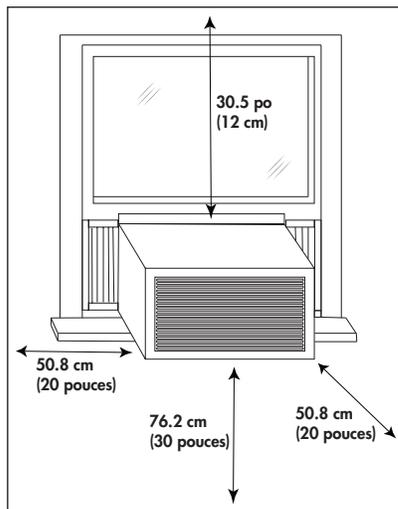
Assurez-vous que la fenêtre et le cadre sont structurellement sains et exempts de bois sec ou pourri.

Installez le climatiseur dans une fenêtre sur un côté du bâtiment qui favorise plus d'ombre que de soleil. Si l'appareil doit être à la lumière directe du soleil, il est conseillé de prévoir un store pare-soleil pour assurer un fonctionnement efficace.

N'installez pas l'appareil si une fuite de gaz combustible est suspectée.

Cet appareil est conçu pour évaporer la condensation dans des conditions normales. Dans des conditions extrêmement chaudes ou humides, un excès de condensation peut déborder vers l'extérieur. L'appareil doit être installé à un endroit où la condensation ne peut pas goutter sur les piétons ou les propriétés voisines.

Laissez un espace suffisant autour de l'appareil pour permettre une circulation d'air suffisante. L'arrière de l'appareil doit être à l'extérieur, pas dans un garage ni dans une autre pièce. Maintenez l'appareil à l'écart des obstacles et à au moins 76 cm (30") du sol. Assurez-vous que les rideaux et autres obstructions ne bloquent pas le flux d'air vers l'appareil.



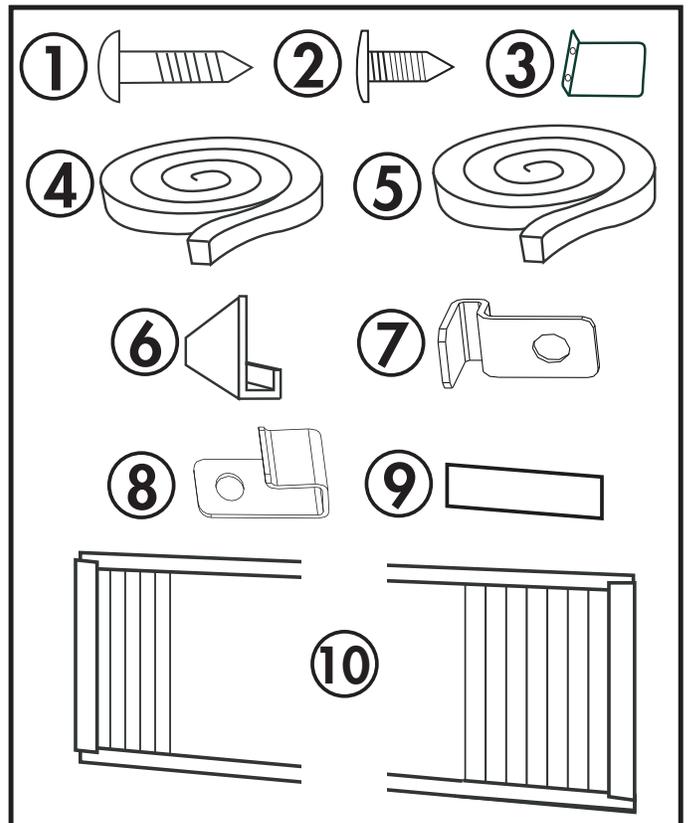
OUTILS REQUIS

- Tournevis: Phillips et tête plate.
- Perceuse électrique: 3,2 mm (1/8 po.) de diamètre
- Crayon
- Mètre ruban
- Les ciseaux
- Niveau du charpentier

ACCESSOIRES

Les accessoires suivants sont inclus avec l'appareil et doivent être utilisés pendant l'installation.

1. Vis de 13 mm (1/2 po) (x7)
2. Vis de 9,5 mm (3/8 pouce) (x4) (installées en usine sur certains modèles).
3. Verrouillage de sécurité
4. Joint de mousse adhésif
5. Joint en mousse régulière
6. Support de montage en forme de «L» (installé en usine sur certains modèles.)
7. Support pour fenêtres en bois (x2)
8. Support pour fenêtres en vinyle (x2)
9. Coupe-froid (x5)
10. Rideaux latéraux (x2)



INSTRUCTIONS D'INSTALLATION

INSTALLATION

Fixez les rideaux latéraux à l'appareil en faisant glisser le cadre du rideau dans le canal latéral de l'armoire. Les rideaux sont étiquetés «gauche» et «droite» sur les cadres. Cela concerne les côtés gauche et droit de l'appareil lorsque vous faites face à l'avant de l'appareil.

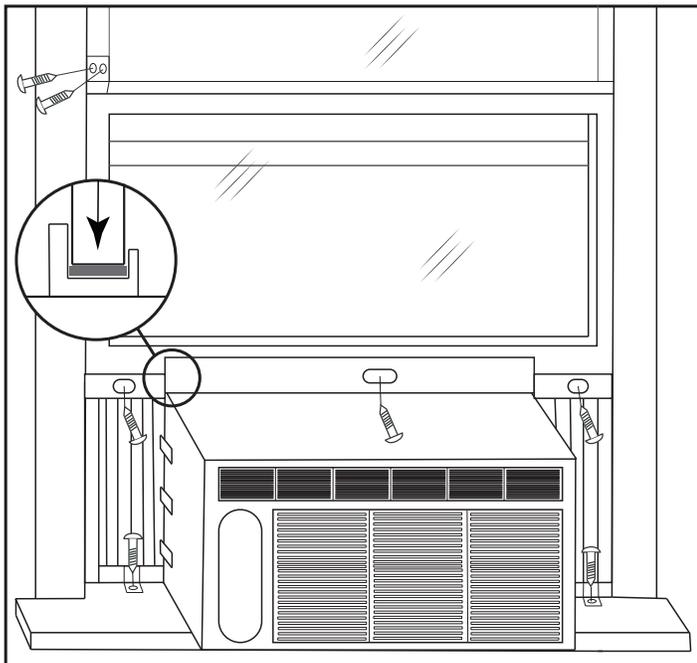
Coupez le joint en mousse ordinaire pour qu'il corresponde à la zone du rebord de la fenêtre sur laquelle le climatiseur reposera.

Placez le climatiseur dans la fenêtre avec le support de montage en forme de «L» placé devant le châssis supérieur. Le bas de l'armoire doit être placé sur la partie en retrait du cadre de la fenêtre. Abaissez le châssis de la fenêtre supérieure jusqu'à ce qu'il repose juste derrière la bride avant du support de montage en forme de «L».

Développez les rideaux latéraux de chaque côté et fixez le haut des cadres au châssis de fenêtre à l'aide d'une vis de 13 mm (1/2") de chaque côté du support de montage en forme de «L».

Fixez les fixations situées sur la partie inférieure de chaque rideau au rebord de la fenêtre à l'aide d'une vis de 13 mm (1/2") de chaque côté du meuble.

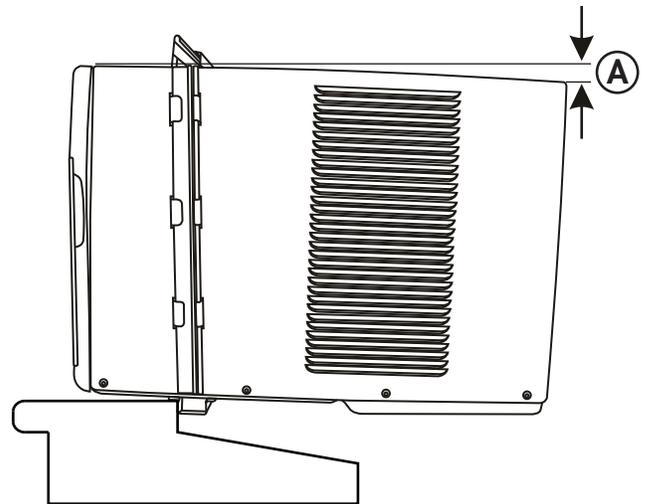
Placez le joint en mousse adhésif dans l'ouverture entre les fenêtres intérieure et extérieure et fixez le verrou de sécurité sur le cadre de fenêtre extérieure à l'aide de deux vis de 13 mm (1/2").



Vérifiez l'angle d'inclinaison

Le climatiseur doit être incliné vers le bas vers l'extérieur environ 3° à 4°. Cette inclinaison encouragera toute eau condensée à s'écouler vers l'extérieur. Si de l'eau condensée fuit à l'intérieur de la maison, vérifiez l'angle d'inclinaison et ajustez si nécessaire.

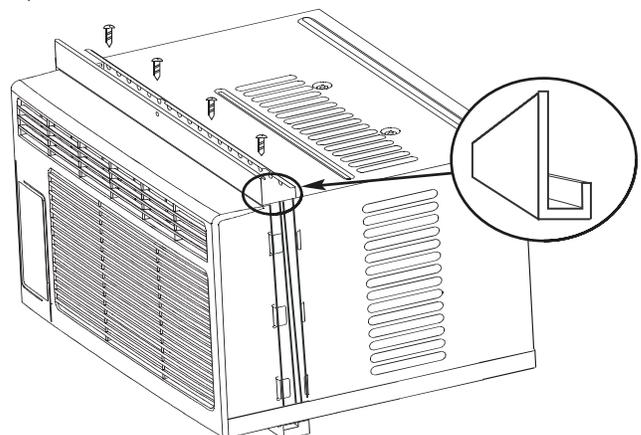
Mesurez l'angle d'inclinaison de l'avant du bord de l'armoire. La différence de hauteur entre l'avant et l'arrière de l'appareil, étiqueté "A" sur l'image ci-dessous, devrait être d'environ 19 mm - 2,5 cm (3/4" - 1").



L SUPPORT

Le support en forme de «L» peut être installé en usine sur certains modèles.

Si le support en forme de «L» n'est pas préinstallé, fixez-le au haut de l'armoire comme indiqué ci-dessous à l'aide des vis fournies de 9,5 mm (3/8") (x4).



INSTRUCTIONS D'UTILISATION

PANNEAU DE CONTRÔLE

1. Panneau d'affichage:

- Affiche la température réglée.
 - En mode ventilateur, il montrera la température ambiante.
- A. Indicateur de mode d'économie d'énergie
B. Indicateur de connexion sans fil
C. Indicateur de mode froid
D. Indicateur de mode de ventilation
E. Affichage de la température
F. Indicateur d'échelle de température
G. Indicateur de réinitialisation du filtre

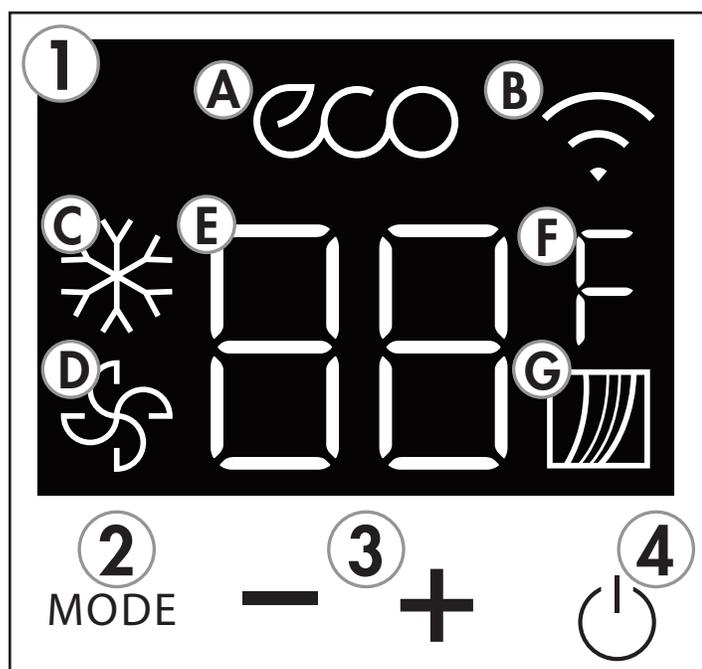
2. Bouton de mode:

- Utilisé pour choisir le mode de fonctionnement.
- L'indicateur de réinitialisation du filtre s'allumera après 250 heures d'utilisation pour vous rappeler de nettoyer le filtre. Après avoir nettoyé le filtre, maintenez le bouton de mode enfoncé pendant 3 secondes pour effacer le voyant de réinitialisation du filtre.

3. Boutons augmenter et diminuer:

- Utilisé pour ajuster la température définie.
- Appuyez sur les boutons d'augmentation et de diminution et maintenez-les enfoncés pendant 3 secondes pour passer de °C à °F.

4. Bouton d'alimentation: Utilisé pour allumer ou éteindre l'appareil.



INSTRUCTION DE FONCTION

Modes de fonctionnement

• Mode cool

Choisissez le mode refroidissement pour définir la fonction de refroidissement. Utilisez les flèches haut et bas pour choisir la température désirée. Lorsque le mode de refroidissement est sélectionné, la vitesse du ventilateur peut être ajustée en appuyant sur le bouton du ventilateur de la télécommande.

La température peut être réglée dans une plage allant de 17°C à 30°C (62°F à 86°F).

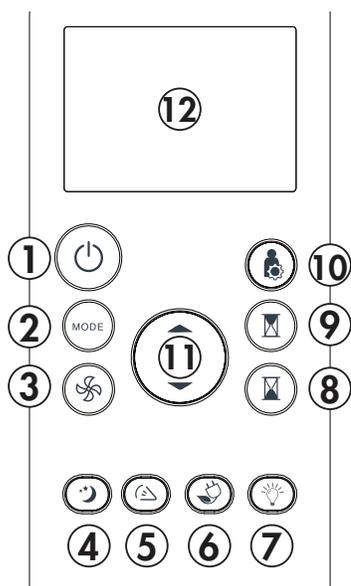
• Mode fan

Choisissez le mode ventilateur pour faire fonctionner le ventilateur interne sans activer la fonction de refroidissement. Appuyez plusieurs fois sur le bouton du ventilateur de la télécommande pour choisir la vitesse du ventilateur.

INSTRUCTIONS D'UTILISATION

TÉLÉCOMMANDE

1. **Bouton d'alimentation:** Utilisé pour allumer ou éteindre l'appareil.
2. **Bouton de mode:** Utilisé pour choisir le mode de fonctionnement.
3. **Bouton du ventilateur:** Utilisé pour régler la vitesse du ventilateur.
4. **Bouton de sommeil:** Utilisé pour définir la fonction de sommeil.
5. **Bouton de persienne:** Utilisé pour régler l'angle du persienne sur le dessus de l'appareil.
 - Appuyez une fois pour lancer la fonction osciller.
 - Appuyez une seconde fois pour arrêter le persienne lorsqu'il a atteint l'angle souhaité.
6. **Bouton d'économie d'énergie:** Utilisé pour définir la fonction d'économie d'énergie.
7. **Bouton DEL:**
 - Appuyez pour allumer ou éteindre le rétroéclairage.
 - Appuyez 7 fois sur la touche pour activer la connexion sans fil. Suivez les instructions sur l'application de connexion sans fil pour plus d'informations.
8. **Bouton pour la minuterie d'arrêt:** Appuyez sur pour régler le minuteur d'extinction automatique.
9. **Bouton pour la minuterie d'allumage:** Appuyez sur pour régler la minuterie d'allumage automatique.
10. **Bouton de raccourci:** Appuyez pour définir et activer la fonction de raccourci.
11. **Boutons augmenter et diminuer:**
 - Utilisé pour ajuster la température définie.
 - Appuyez sur les boutons d'augmentation et de diminution et maintenez-les enfoncés pendant 3 secondes pour passer de °C à °F.
12. **Panneau d'affichage:** Indique la température réglée et le réglage de la minuterie.



PILES DE LA TÉLÉCOMMANDE

La télécommande nécessite deux piles alcalines AAA (incluses). Les piles doivent être remplacées lorsque:

- a) Aucun son n'est entendu lors de la tentative de programmation de l'appareil.
- b) L'appareil ne répond pas à une commande émise par la télécommande.

Remplacement de la batterie:

1. Faites glisser le capot arrière sur la télécommande dans le sens de la flèche.
2. Insérez deux piles AAA suivant la même orientation représentée à l'intérieur de la chambre de la batterie (+/-).
3. Réinstallez le capot arrière.
4. Si la télécommande n'est pas utilisée pendant de longues périodes, les piles doivent être retirées.

Remarques:

- Protégez la télécommande contre les températures élevées et évitez l'exposition au rayonnement.
- Gardez le récepteur du panneau de contrôle hors de la lumière directe du soleil.
- Ne mélangez pas les piles neuves et usées.
- Ne pas mélanger des piles alcalines, standard (carbone-zinc) ou rechargeables (ni-cad, ni-mh, etc.).
- La télécommande fonctionne à une distance de 8 mètres (26 pi) du récepteur situé à l'intérieur de l'appareil principal. Toute obstruction entre le récepteur et la télécommande peut provoquer des interférences de signal, ce qui limite la capacité de programmer l'unité principale.

INSTRUCTIONS D'UTILISATION

FONCTION DE RACCOURCI

La fonction de raccourci est uniquement disponible sur la télécommande. Il peut être utilisé pour définir un réglage favori.

1. Réglez l'appareil sur la température et la vitesse du ventilateur que vous souhaitez définir comme favori.
2. Appuyez sur le bouton de raccourci et maintenez-le enfoncé pendant 2 secondes.
3. Appuyez sur le bouton de raccourci à tout moment pour revenir au réglage favori.

Si aucun favori n'est défini, appuyez sur la touche de raccourci pour que l'appareil fonctionne en mode automatique à 29°C (79°F), avec la vitesse du ventilateur réglée sur auto.

FONCTION DE MINUTERIE

La fonction de minuterie est uniquement disponible sur la télécommande. Il peut être utilisé pour allumer ou éteindre l'appareil après une période de temps définie.

Pour régler la minuterie automatique:

1. Appuyez sur le bouton d'activation ou de désactivation de la minuterie, selon que l'appareil doit être allumé ou éteint après la période définie.
2. Utilisez les boutons de la minuterie pour sélectionner la durée souhaitée avant la mise en marche de l'appareil. Les boutons de la minuterie ajoutent ou soustraient l'heure par incréments de 30 minutes jusqu'à 10 heures, puis par incréments d'une heure jusqu'à 24 heures.
3. Allumer ou éteindre l'appareil à tout moment annulera les réglages de la minuterie.

FONCTION D'ÉCONOMIE D'ÉNERGIE

La fonction d'économie d'énergie n'est disponible que sur la commande de suppression en mode froid. Il va automatiquement allumer et éteindre le ventilateur lorsque le compresseur n'est pas utilisé afin de minimiser la fréquence à laquelle le compresseur doit s'allumer.

Le ventilateur continuera à fonctionner pendant 3 minutes après l'extinction du compresseur. Le ventilateur se mettra ensuite en marche pendant 2 minutes, par intervalles de 10 minutes, jusqu'à ce que la température ambiante soit supérieure à la température définie. Le compresseur se mettra alors en marche et le refroidissement reprendra.

FONCTION DE SOMMEIL

La fonction de sommeil peut être utilisée pour économiser de l'énergie pendant les heures de sommeil.

Une fois sélectionné, la température réglée augmentera de 1°C/2°F toutes les demi-heures pendant une heure complète. L'appareil maintiendra la nouvelle température réglée pendant 6 heures avant de revenir automatiquement au fonctionnement normal.

La fonction de sommeil peut être annulée à tout moment en appuyant sur le bouton de sommeil.

CONNEXION SANS FIL

Cet appareil peut être contrôlé avec une application sans fil sur votre appareil sans fil.

Rendez-vous sur <https://www.danby.com/support/#apps> pour télécharger l'application et découvrir son fonctionnement.

SOINS ET ENTRETIEN

FILTRE À AIR

Le filtre à air doit être nettoyé environ toutes les 2 semaines. Le filtre à air peut nécessiter un nettoyage plus fréquent si il y a un choc important ou de la fourrure dans l'air.

Environ toutes les deux semaines, le voyant du filtre sur le panneau de commande s'allume pour rappeler le nettoyage du filtre. Suivez les étapes ci-dessous pour nettoyer le filtre et retournez l'appareil au fonctionnement normal.

1. Le filtre à air est situé derrière la grille d'admission avant. Pour retirer le filtre à air, saisissez la languette du filtre sur le côté droit de la grille et glissez-la vers la droite. Si la grille d'admission avant comporte deux retraits, tirez la grille vers l'avant pour retirer le filtre à air.
2. Utilisez un aspirateur avec une brosse douce pour enlever les grands débris ou la poussière du filtre à air.
3. Laver le filtre dans de l'eau tiède savonneuse, inférieure à 40°C (104°F), ou utiliser un agent de nettoyage neutre.
4. Rincez le filtre avec de l'eau propre et séchez bien avant de le réinstaller dans l'appareil.
5. Appuyez sur le bouton de filtre sur le panneau de commande pour reprendre le fonctionnement normal.

Remarque: Ne pas utiliser l'appareil sans le filtre à air installé.

CODES D'ERREUR

Si le panneau d'affichage affiche l'un des codes d'erreur ci-dessous, débranchez l'appareil, laissez reposer pendant 5 à 10 minutes, puis rallumez-le. Si l'erreur persiste, appelez le service.

LO - S'affiche lorsque la température ambiante est inférieure à 0°C (32°F).

HI - S'affiche lorsque la température ambiante est supérieure à 37°C (99°F).

AS - Erreur du capteur de température ambiante.

ES - Erreur du capteur de température de l'évaporateur.

NETTOYAGE

Pour éviter tout risque d'électrocution, assurez-vous que l'appareil est débranché avant d'effectuer un nettoyage ou une maintenance.

L'extérieur de l'appareil peut être nettoyé avec un chiffon doux ou avec un chiffon tiède et humide si nécessaire.

N'utilisez pas d'essence, de benzène, de diluant ou de tout autre produit chimique pour nettoyer cet appareil car ces substances peuvent endommager la finition et la déformation des pièces en plastique.

Ne versez jamais d'eau directement sur l'appareil, car cela entraînera une détérioration des composants électriques et de l'isolation des câbles.

SOINS POUR LA FIN DE SAISON

Avant de retirer l'appareil du service pour l'année, faites fonctionner l'appareil sur le mode ventilateur élevé pendant une demi-journée pour vous assurer que l'intérieur de l'appareil est sec. Cela aidera à éviter la croissance de la moisissure ou de la moisissure à l'intérieur de l'appareil. Assurez-vous que le filtre est propre et sec. Rangez l'appareil dans un endroit sec.

Remarque: Lors de l'installation ou de l'enlèvement de l'appareil de la fenêtre, veillez à ce qu'il soit prudent de l'empêcher de tomber vers l'arrière. Il est recommandé que l'installation ou l'enlèvement soit complété avec une assistance pour éviter les blessures aux personnes ou les dommages matériels ou l'appareil.

DISPOSITION

Vérifiez la conformité réglementaire locale concernant l'élimination approuvée et sûre de cet appareil.

DÉPANNAGE

Danby soins du consommateur : 1-800-263-2629 ou consumerservice@danby.com

Heures d'ouverture :

Du lundi au jeudi, de 8 h 30 à 18 h, heure de l'Est
Vendredi, de 8 h 30 à 16 h, heure de l'Est

Les informations contenues dans ce manuel sont sujettes à modification sans préavis.

PROBLÈME	CAUSE POSSIBLE
L'appareil ne fonctionnera pas	<ul style="list-style-type: none">• La fiche n'est pas complètement insérée dans la prise murale• Fusible soufflé ou disjoncteur
Refroidissement insuffisant	<ul style="list-style-type: none">• Le filtre à air est sale• Flux d'air bloqué• La taille de l'appareil est trop petite pour l'application
Bruit	<ul style="list-style-type: none">• Support inadéquat dans l'installation de fenêtre
Les odeurs	<ul style="list-style-type: none">• Formation de moisissure sur des surfaces intérieures humides• Placer un comprimé d'algacide dans un moule de base; poussez la tablette à travers la grille de chaque côté de l'appareil
L'eau s'écoule à l'intérieur	<ul style="list-style-type: none">• L'appareil n'est pas correctement incliné pour permettre à l'eau de s'écouler vers l'extérieur
Eau dégouttant à l'extérieur	<ul style="list-style-type: none">• Sur des jours très chauds ou humides, l'eau qui goutte à l'arrière de l'appareil est normale
Accumulation de givre	<ul style="list-style-type: none">• Lorsque les températures extérieures sont inférieures à 18,3°C (65°F), une gelée peut se former lorsque l'appareil est en mode refroidissement• Mettez l'appareil en mode ventilateur seulement jusqu'à ce que le givre fond

Cet appareil numérique de classe B est conforme à la norme Canadienne ICES-003. CAN ICES-3 (B)

Cet équipement a été testé et s'est avéré conforme aux limites d'un appareil numérique de classe B, conformément à la partie 15 des règles de la FCC. Ces limites sont conçues pour fournir une protection raisonnable contre les interférences dans une installation résidentielle.

Cet équipement génère, utilise et peut émettre de l'énergie radiofréquence et, s'il n'est pas installé et utilisé conformément aux instructions, peut provoquer des interférences dans les communications radio. Cependant, il n'y a aucune garantie que des interférences ne se produiront pas dans une installation particulière.

Si cet équipement cause des interférences à la réception de la radio ou de la télévision, ce qui peut être déterminé en allumant et éteignant l'équipement, l'utilisateur est encouragé à essayer de corriger les interférences en prenant une ou plusieurs des mesures suivantes:

1. Réorientez ou déménagez l'antenne de réception.
2. Augmenter la séparation entre l'équipement et le récepteur.
3. Connectez l'équipement à une prise de courant sur un circuit différent de celui auquel le récepteur est connecté.
4. Consultez le revendeur ou un technicien expérimenté en radio / télévision pour obtenir de l'aide.

Les modifications ou modifications non approuvées par la partie responsable de la conformité de la FCC peuvent annuler l'autorisation de l'utilisateur d'utiliser l'équipement.

Cet appareil est conforme à la partie 15 des règles de la FCC.

L'opération est soumise aux deux conditions suivantes:

1. Cet appareil ne doit pas provoquer d'interférence.
2. Cet appareil doit accepter toute interférence reçue, y compris les interférences pouvant entraîner un fonctionnement indésirable.

GARANTIE LIMITÉE « EN ATELIER »

Cet appareil de qualité est garanti exempt de tout vice de matière première et de fabrication, s'il est utilisé dans les conditions normales recommandées par le fabricant.

Cette garantie n'est offerte qu'à l'acheteur initial de l'appareil vendu par Danby Products Limited (Canada) ou Danby Products Inc. (É.-U.) (ci-après « Danby ») ou par l'un des ses distributeurs agréés et elle ne peut être transférée.

CONDITIONS

Les pièces en plastique sont garanties pendant trente (30) jours seulement à partir de la date de l'achat, sans aucune prolongation prévue.

Premiers 24 mois Pendant les premiers **vingt quatre (24) mois**, toutes les pièces fonctionnelles de ce produit qui s'avèrent défectueuses seront réparées ou remplacées, selon le choix du garant, sans frais à l'acheteur initial.

Pour obtenir un service Contactez le revendeur où l'appareil a été acheté ou contactez le dépôt de service Danby autorisé le plus proche, où le service doit être effectué par un technicien de service qualifié. Si le service est effectué sur l'appareil par une personne autre qu'un dépôt de service autorisé, toutes les obligations de Danby en vertu de cette garantie seront annulées.

Il est de la responsabilité de l'acheteur de transporter l'appareil vers le dépôt de service agréé le plus proche.

Les frais de transport entre votre domicile et le lieu de l'entretien ne sont pas couverts par la présente garantie et doivent être acquittés par l'acheteur.

Aucune partie de la garantie ne prévoit implicitement que le fabricant sera tenu responsable des dommages subis par les aliments ou d'autres types de contenu, qu'ils soient causés par la défectuosité de l'appareil ou par son usage adéquat ou inadéquat.

EXCLUSIONS

En vertu de la présente, il n'existe aucune autre garantie, condition ou représentation, qu'elle soit exprimée ou tacite, de façon manifeste ou intentionnelle, par Danby ou ses distributeurs agréés. De même, sont exclues toutes les autres garanties, conditions ou représentations, y compris les garanties, conditions ou représentations en vertu de toute loi régissant la vente de produits ou de toute autre législation ou règlement semblable. **En vertu de la présente, Danby ne peut être tenue responsable en cas de blessures corporelles ou de dégâts matériels, y compris à l'appareil, quelle qu'en soit la cause. Danby ne peut pas être tenue responsable des dommages indirects dus au fonctionnement défectueux de l'appareil. En achetant l'appareil, l'acheteur accepte de tenir sans reproche et de dégager Danby de toute responsabilité en cas de réclamation pour toute blessure corporelle ou tout dégât matériel causé par cet appareil.**

CONDITIONS GÉNÉRALES

La garantie ou assurance ci-dessus ne s'applique pas si les dégâts ou réparations sont dus aux cas suivants :

- 1) Panne de courant.
- 2) Dommages subis pendant le transport ou le déplacement de l'appareil.
- 3) Alimentation électrique incorrecte (tension faible, câblage défectueux, fusibles incorrects).
- 4) Accident, modification, emploi abusif ou incorrect de l'appareil tel qu'une circulation d'air inadéquate dans la pièce ou des conditions de fonctionnement anormales (température extrêmement élevée ou basse).
- 5) Utilisation dans un but commercial ou industriel (à savoir, si l'appareil n'est pas installé dans un domicile résidentiel).
- 6) Incendie, dommages causés par l'eau, le vol, la guerre, une émeute, des hostilités, ou en cas de force majeure (ouragan, inondation, etc.).
- 7) Visites d'un technicien pour expliquer le fonctionnement de l'appareil au propriétaire.
- 8) Installation inappropriée (par exemple, encastrement d'un appareil autoportant, ou utilisation extérieure d'un appareil non conçu à cet effet, y compris, mais sans s'y limiter : les garages, les patios, les porches ou ailleurs, qui ne sont pas correctement isolés ou climatisés).

La preuve de la date d'achat sera requise pour les réclamations de garantie; conserver la facture de vente. Dans le cas où un service de garantie est requis, présentez la preuve d'achat à notre dépôt de service agréé.

Service sous garantie

En Atelier

Danby Products Limited
PO Box 1778, Guelph, Ontario, Canada N1H 6Z9
Téléphone : (519) 837-0920 Télécopieur : (519) 837-0449

1-800-263-2629
02/18

Danby Products Inc.
PO Box 669, Findlay, Ohio, U.S.A. 45840
Téléphone : (419) 425-8627 Télécopieur : (419) 425-8629

Bienvenido

Bienvenido a la familia Danby. Estamos orgullosos de nuestros productos de calidad y creemos en un servicio confiable. Sugerimos que lea este manual del propietario antes de conectar el nuevo aparato ya que contiene información importante sobre la operación, información de seguridad, solución de problemas y consejos de mantenimiento para garantizar la fiabilidad y longevidad de su electrodoméstico.

Visite **www.Danby.com** para acceder a herramientas de autoservicio, preguntas frecuentes y mucho más. Para asistencia adicional, llame al **1-800-263-2629**.

Tenga en cuenta la información siguiente; Necesitará esta información para obtener un servicio bajo garantía.

Debe proporcionar el recibo de compra original para validar su garantía y recibir servicio.

Número de modelo: _____

Número de serie: _____

Fecha de compra: _____

Necesitas ayuda?

Antes de llamar al servicio, aquí hay algunas cosas que puede hacer para ayudarnos a servirle mejor.

Lea este manual del propietario:

Contiene instrucciones para ayudarlo a usar y mantener su aparato correctamente.

Si recibe un aparato dañado:

Inmediatamente póngase en contacto con el minorista o el constructor que le vendió el aparato.

Ahorre tiempo y dinero:

Consulte la sección de solución de problemas al final de este manual antes de llamar. Esta sección le ayudará a resolver problemas comunes que pueden ocurrir.



1-800-26- Danby
(1-800-263-2629)



Importantes Instrucciones de Seguridad

LEA Y SIGA TODAS LAS INSTRUCCIONES DE SEGURIDAD



REQUERIMIENTOS DE SEGURIDAD

PELIGRO: Riesgo de incendio o explosión. Refrigerante inflamable utilizado. No dañe el circuito de refrigerante.

- Asegúrese de que el servicio sea realizado por personal de servicio autorizado de fábrica, para minimizar los daños del producto o los problemas de seguridad.
- Consulte el manual de reparación o la guía del propietario antes de intentar reparar este producto. Deben seguirse todas las precauciones de seguridad.
- Deséchese adecuadamente de acuerdo con las regulaciones federales o locales.
- Siga cuidadosamente las instrucciones de manejo.
- Mantenga las aberturas de ventilación, en el aparato, sin obstrucciones.
- No utilice dispositivos mecánicos u otros medios para acelerar el proceso de descongelación.
- Los niños deben ser supervisados para asegurarse de que no jueguen con el aparato.
- No almacene ni instale el aparato cerca de fuentes de ignición que funcionen continuamente, como llamas o una estufa de gas.
- No operar cerca del agua o en una habitación húmeda.
- No perforar o quemar.
- Tenga en cuenta que los refrigerantes no pueden contener un olor.
- El aparato debe almacenarse para evitar daños mecánicos.

Todo el cableado debe cumplir con los códigos locales y nacionales y debe ser instalado por un electricista calificado. Verifique la fuente de alimentación disponible y resuelva cualquier problema de cableado antes de instalar y operar este dispositivo.

La placa de características ubicada en el lado derecho del aparato, justo encima del cable de alimentación, contiene datos eléctricos y otros datos técnicos.

Este dispositivo no está destinado a ser utilizado por personas (incluidos niños) cuyas capacidades físicas, sensoriales o mentales pueden ser diferentes o reducidas, o que carecen de experiencia o conocimiento, a menos que dichas personas sean supervisadas o entrenadas para operar el dispositivo por una persona responsable de su la seguridad.

INSTRUCCIONES DE CONEXION A TIERRA

Este aparato debe estar conectado a tierra. La puesta a tierra reduce el riesgo de descarga eléctrica proporcionando un cable de escape para la corriente eléctrica.

Este aparato tiene un cable que tiene un cable de conexión a tierra con un enchufe de 3 clavijas. El cable de alimentación debe estar enchufado en un tomacorriente que esté debidamente conectado a tierra. Si el tomacorriente es un enchufe de pared de 2 terminales, debe ser reemplazado por un tomacorriente de pared de 3 clavijas debidamente conectado a tierra. La placa de características en serie indica el voltaje y la frecuencia que el aparato está diseñado para.

ADVERTENCIA - El uso incorrecto del enchufe de conexión a tierra puede resultar en un riesgo de descarga eléctrica. Consulte a un electricista calificado o agente de servicio si las instrucciones de conexión a tierra no se entienden completamente o si existe duda sobre si el aparato está debidamente conectado a tierra.

No conecte el aparato a los cables de extensión ni con otro aparato en la misma toma de corriente. No empalme el cable de alimentación. No corte ni extraiga en ningún caso la tercera clavija de tierra del cable de alimentación. No utilice cables de extensión ni adaptadores sin conexión a tierra (dos clavijas).

Si el cable de alimentación está dañado, debe ser reemplazado por el fabricante, su agente de servicio o persona calificada similar para evitar riesgos.



PRECAUCIÓN: RIESGO DE INCENDIO

Refrigerante inflamable utilizado. Al mantener o desechar el acondicionador de aire, no se debe permitir que el refrigerante se ventile al aire libre.

¡GUARDE ESTAS INSTRUCCIONES!



Importantes Instrucciones de Seguridad

LEA Y SIGA TODAS LAS INSTRUCCIONES DE SEGURIDAD

Cualquier persona involucrada en trabajar en el circuito de refrigerante debe tener un certificado válido y vigente de una autoridad de evaluación acreditada de la industria que autorice su competencia para manejar refrigerantes de manera segura de acuerdo con una especificación de evaluación reconocida por la industria.

La reparación solo se realizará según lo recomendado por el fabricante. El mantenimiento y las reparaciones que requieran la asistencia de otro personal calificado deben realizarse bajo la supervisión de la persona competente en el uso de refrigerantes inflamables.

Al mantener o desechar el aparato, el refrigerante debe recuperarse adecuadamente y no debe permitirse que se descargue al aire directamente.

Información sobre mantenimiento

- 1. Cheques a la zona:** Antes de comenzar a trabajar en sistemas que contengan refrigerantes inflamables, se necesitan controles de seguridad para garantizar que se minimice el riesgo de ignición. Para la reparación del sistema de refrigeración, se deben cumplir las siguientes precauciones antes de realizar trabajos en el sistema.
- 2. Procedimiento de trabajo:** El trabajo debe realizarse bajo un procedimiento controlado para minimizar el riesgo de que haya un gas o vapor inflamable mientras se realiza el trabajo.
- 3. Área de trabajo general:** Todo el personal de mantenimiento y otras personas que trabajan en el área local deben recibir instrucciones sobre la naturaleza del trabajo que se está llevando a cabo. Se evitará el trabajo en espacios confinados. El área alrededor del espacio de trabajo debe ser seccionado. Asegúrese de que las condiciones dentro del área de trabajo se hayan hecho seguras eliminando todo el material inflamable.
- 4. Comprobando la presencia de refrigerante:** Se deben verificar con un detector de refrigerante adecuado antes y durante el trabajo para garantizar que el técnico tenga conocimiento de las atmósferas potencialmente inflamables. Asegúrese de que el equipo de detección de fugas que se está utilizando sea adecuado para el uso con refrigerantes inflamables, es decir, que no produzcan chispas, que estén adecuadamente sellados y sean intrínsecamente seguros.
- 5. Presencia de extintor de incendios:** Si se debe realizar algún trabajo en caliente en el equipo de refrigeración o en cualquier pieza asociada, debe estar disponible el equipo de extinción de incendios adecuado. Tenga un extintor de polvo seco o CO2 adyacente al área de trabajo.
- 6. No hay fuentes de ignición:** Ninguna persona que realice trabajos en relación con un sistema de refrigeración que implique exponer cualquier tubería que contenga o haya contenido refrigerante inflamable deberá utilizar ninguna fuente de ignición de tal manera que pueda provocar riesgo de incendio o explosión. Todas las fuentes de ignición posibles, incluido el consumo de cigarrillos, deben mantenerse lo suficientemente lejos del lugar de instalación, reparación, eliminación y eliminación durante los cuales es posible que se libere refrigerante inflamable al espacio circundante. Antes de realizar el trabajo, se debe inspeccionar el área alrededor del equipo para asegurarse de que no haya peligros inflamables o riesgos de ignición. No se mostrarán señales de fumar.
- 7. Zona ventilada:** Asegúrese de que el área esté al aire libre o de que esté adecuadamente ventilada antes de entrar en el sistema o realizar cualquier trabajo en caliente. Un cierto grado de ventilación deberá continuar durante el período de trabajo. La ventilación debe dispersar de forma segura cualquier refrigerante liberado y, preferiblemente, expulsarlo externamente a la atmósfera.
- 8. Comprobaciones al equipo de refrigeración:** Donde se cambien los componentes eléctricos, deben ser adecuados para el propósito y para la especificación correcta. En todo momento se seguirán las pautas de mantenimiento y servicio del fabricante. En caso de duda, consulte al departamento técnico del fabricante para obtener ayuda.



Importantes Instrucciones de Seguridad

LEA Y SIGA TODAS LAS INSTRUCCIONES DE SEGURIDAD

Se aplicarán los siguientes controles a las instalaciones que utilizan refrigerantes inflamables:

- El tamaño de carga está de acuerdo con el tamaño de la habitación dentro de la cual se instalan las piezas que contienen refrigerante.
 - La maquinaria de ventilación y las salidas funcionan adecuadamente y no están obstruidas.
 - Si se está utilizando un circuito de refrigeración indirecto, se debe revisar el circuito secundario para detectar la presencia de refrigerante.
 - El marcado al equipo sigue siendo visible y legible. Las marcas y signos que se vuelven ilegibles deben ser corregidos.
 - La tubería o los componentes de refrigeración se instalan en una posición en la que es poco probable que estén expuestos a alguna sustancia que pueda corroer los componentes que contienen refrigerante, a menos que los componentes estén contruidos con materiales que sean inherentemente resistentes a la corrosión o que estén protegidos adecuadamente contra la corrosión.
- 9. Cheques a dispositivos eléctricos:** La reparación y el mantenimiento de los componentes eléctricos deben incluir controles de seguridad iniciales y procedimientos de inspección de componentes. Si existe una falla que pueda comprometer la seguridad, no se debe conectar ningún suministro eléctrico al circuito hasta que se resuelva satisfactoriamente. Si la falla no se puede corregir de inmediato, pero es necesario continuar la operación, se debe utilizar una solución temporal adecuada. Esto se informará al propietario del equipo para que se informe a todas las partes.

Los controles iniciales de seguridad incluirán:

- Que los condensadores están descargados. Esto debe hacerse de manera segura para evitar la posibilidad de chispas.
- Que no se exponen componentes eléctricos ni cableado mientras se está cargando, recuperando o purgando el sistema.
- Que hay continuidad de la unión de la tierra.

Reparaciones a componentes sellados.

1. Durante las reparaciones de componentes sellados, todos los suministros eléctricos se deben desconectar del equipo en el que se está trabajando antes de retirar las cubiertas selladas, etc. Si es absolutamente necesario contar con un suministro eléctrico al equipo durante el servicio, se debe realizar una detección permanente de fugas. se ubicará en el punto más crítico para advertir de una situación potencialmente peligrosa.
2. Para garantizar que al trabajar con componentes eléctricos, la carcasa no se altera de tal manera que el nivel de protección se vea afectado, se debe prestar especial atención a lo siguiente:
 - Daños a los cables, número excesivo de conexiones, terminales no fabricados según las especificaciones originales, daños a los sellos, ajuste incorrecto de los casquillos, etc.
 - Asegúrese de que el aparato esté montado de forma segura.
 - Asegúrese de que los sellos o materiales de sellado no se hayan degradado de manera que ya no sirvan para evitar la entrada de atmósferas inflamables. Las piezas de repuesto deben estar de acuerdo con las especificaciones del fabricante.

Nota: el uso de sellador de silicona puede inhibir la efectividad de algunos tipos de equipos de detección de fugas. Los componentes intrínsecamente seguros no tienen que estar aislados antes de trabajar en ellos.

Reparación a componentes intrínsecamente seguros.

No aplique ninguna carga inductiva o capacitiva permanente al circuito sin asegurarse de que esto no exceda el voltaje y la corriente permitidos para el equipo en uso. Los componentes intrínsecamente seguros son los únicos tipos en los que se puede trabajar mientras se vive en presencia de una atmósfera inflamable. El aparato de prueba debe estar en la clasificación correcta. Reemplace los componentes solo con partes especificadas por el fabricante. Otras partes pueden provocar la ignición de refrigerante en la atmósfera debido a una fuga.



Importantes Instrucciones de Seguridad

LEA Y SIGA TODAS LAS INSTRUCCIONES DE SEGURIDAD

Cableado

Compruebe que el cableado no esté sujeto a desgaste, corrosión, presión excesiva, vibración, bordes afilados o cualquier otro efecto ambiental adverso. La verificación también debe tener en cuenta los efectos del envejecimiento o la vibración continua de fuentes como compresores o ventiladores.

Detección de refrigerantes inflamables.

Bajo ninguna circunstancia deben utilizarse fuentes potenciales de ignición en la búsqueda o detección de fugas de refrigerante. No se debe usar una antorcha de halogenuros o cualquier otro detector que use una llama desnuda.

Métodos de detección de fugas

Los siguientes métodos de detección de fugas se consideran aceptables para sistemas que contienen refrigerantes inflamables:

- Se deben usar detectores electrónicos de fugas para detectar refrigerantes inflamables, pero la sensibilidad puede no ser adecuada o puede necesitar una recalibración. El equipo de detección debe estar calibrado en un área libre de refrigerante. Asegúrese de que el detector no sea una fuente potencial de ignición y que sea adecuado para el refrigerante utilizado.
- El equipo de detección de fugas se fijará en un porcentaje del LFL del refrigerante y se calibrará para el refrigerante empleado y se confirmará el porcentaje apropiado de gas (25% máximo).
- Los fluidos de detección de fugas son adecuados para el uso con la mayoría de los refrigerantes, pero se debe evitar el uso de detergentes que contengan cloro, ya que el cloro puede reaccionar con el refrigerante y corroer el cobre o las tuberías.
- Si se sospecha una fuga, todas las llamas descubiertas deben retirarse o extinguirse.
- Si se encuentra una fuga de refrigerante que requiere soldadura fuerte, todo el refrigerante se recuperará del sistema o se aislará mediante válvulas de cierre en una parte del sistema alejada de la fuga. El nitrógeno libre de oxígeno (OFN) se purgará a través del sistema antes y durante el proceso de soldadura fuerte.

Traslado y evacuación

Al entrar en el circuito de refrigerante para realizar reparaciones o para cualquier otro propósito, se deben utilizar procedimientos convencionales. Sin embargo, es importante que se sigan las mejores prácticas ya que la inflamabilidad es una consideración. Se seguirán los siguientes procedimientos:

- Retire el refrigerante.
- Purgar el circuito con gas inerte.
- Evacuar.
- Purgar de nuevo con gas inerte.
- Abrir el circuito mediante corte o soldadura fuerte.
- La carga de refrigerante se recuperará en los cilindros de recuperación correctos. El sistema se debe lavar con OFN para que la unidad sea segura. Este proceso puede necesitar repetirse varias veces. No se debe utilizar aire comprimido ni oxígeno para esta tarea.
- El lavado se logrará rompiendo el vacío en el sistema con OFN y continuando con el llenado hasta que se alcance la presión de trabajo, luego ventilando a la atmósfera y finalmente bajando al vacío. Este proceso debe repetirse hasta que no haya refrigerante dentro del sistema. Cuando se utiliza la carga OFN final, el sistema debe descargarse a presión atmosférica para permitir que se realice el trabajo. Esta operación es absolutamente vital si se realizan operaciones de soldadura fuerte en la tubería.
- Asegúrese de que la salida de la bomba de vacío no esté cerca de ninguna fuente de ignición y que haya ventilación disponible.

Procedimientos de carga

Además de los procedimientos de carga convencionales, se deben seguir los siguientes requisitos:

- Asegúrese de que no se contamine con refrigerantes diferentes cuando utilice equipos de carga. Las mangueras o líneas deben ser lo más cortas posible para minimizar la cantidad de refrigerante que contienen.
- Los cilindros se mantendrán en posición vertical.
- Asegúrese de que el sistema de refrigeración esté conectado a tierra antes de cargar el sistema con refrigerante.
- Etiquete el sistema cuando se complete la carga, si no está ya etiquetado.
- Se debe tener mucho cuidado de no sobrecargar el sistema de refrigeración.
- Antes de recargar el sistema, se someterá a prueba de presión con OFN. El sistema debe ser probado contra fugas al finalizar la carga pero antes de la puesta en servicio. Se realizará una prueba de fugas de seguimiento antes de abandonar el sitio.



Importantes Instrucciones de Seguridad

LEA Y SIGA TODAS LAS INSTRUCCIONES DE SEGURIDAD

Desmantelamiento

Antes de llevar a cabo este procedimiento, es esencial que el técnico esté completamente familiarizado con el equipo en todo su detalle. Se recomienda una buena práctica que todos los refrigerantes se recuperen de manera segura. Antes de realizar la tarea, se debe tomar una muestra de aceite y refrigerante en caso de que se requiera un análisis antes de reutilizar el refrigerante recuperado. Es esencial que la energía eléctrica esté disponible antes de comenzar la tarea.

- A. Familiarizarse con el equipo y su funcionamiento.
- B. Sistema de aislamiento eléctrico.
- C. Antes de intentar el procedimiento, asegúrese de que:
 - El equipo de manejo mecánico está disponible si es necesario para el manejo de cilindros de refrigerante.
 - Todo el equipo de protección personal está disponible y se está utilizando correctamente.
 - El proceso de recuperación es supervisado en todo momento por una persona competente.
 - Los equipos y cilindros de recuperación cumplen con las normas apropiadas.
- D. Bombear el sistema de refrigerante, si es posible.
- E. Si no es posible un vacío, haga un colector para que se pueda eliminar el refrigerante de varias partes del sistema.
- F. Asegúrese de que el cilindro esté situado en la balanza antes de que tenga lugar la recuperación.
- G. Arranque la máquina de recuperación y opere de acuerdo con las instrucciones del fabricante.
- H. No llene en exceso los cilindros. No más del 80% de volumen de carga líquida.
- I. No exceda la presión máxima de trabajo del cilindro, ni siquiera temporalmente.
- J. Cuando los cilindros se hayan llenado correctamente y se haya completado el proceso, asegúrese de que los cilindros y el equipo se retiren del sitio rápidamente y que todas las válvulas de aislamiento del equipo estén cerradas.
- K. El refrigerante recuperado no debe cargarse en otro sistema de refrigeración a menos que se haya limpiado y revisado.

Etiquetado

El equipo debe estar etiquetado indicando que ha sido retirado del servicio y vaciado de refrigerante. La etiqueta deberá estar fechada y firmada. Asegúrese de que haya etiquetas en el equipo que indiquen que el equipo contiene refrigerante inflamable.

Recuperación

Cuando se retira refrigerante de un sistema, ya sea para servicio o cierre, se recomienda que todos los refrigerantes se eliminen de manera segura.

Cuando transfiera refrigerante a los cilindros, asegúrese de que solo se utilicen los cilindros apropiados para recuperar el refrigerante. Asegúrese de que esté disponible el número correcto de cilindros para mantener la carga total del sistema. Todos los cilindros que se utilizarán están diseñados para el refrigerante recuperado y etiquetados para ese refrigerante, es decir, cilindros especiales para la recuperación de refrigerante. Los cilindros deben estar completos con válvula de alivio de presión y válvulas de cierre asociadas en buen estado de funcionamiento. Los cilindros de recuperación vacíos se evacúan y, si es posible, se enfrían antes de que se produzca la recuperación.

El equipo de recuperación debe estar en buen estado de funcionamiento con un conjunto de instrucciones sobre el equipo que se encuentra a mano y debe ser adecuado para la recuperación de refrigerantes inflamables. Además, un conjunto de balanzas calibradas estará disponible y en buen estado de funcionamiento. Las mangueras deben estar completas con acoplamientos de desconexión sin fugas y en buenas condiciones. Antes de usar la máquina de recuperación, verifique que esté en buen estado de funcionamiento, que se haya mantenido correctamente y que todos los componentes eléctricos asociados estén sellados para evitar la ignición en caso de una fuga de refrigerante. Consulte al fabricante en caso de duda.

El refrigerante recuperado se devolverá al proveedor de refrigerante en el cilindro de recuperación correcto y se dispondrá la nota de transferencia de residuos correspondiente. No mezcle refrigerantes en unidades de recuperación y especialmente en cilindros. Si se deben retirar los compresores o los aceites de compresores, asegúrese de que hayan sido evacuados a un nivel aceptable para asegurarse de que no quede refrigerante inflamable dentro del lubricante. El proceso de evacuación se llevará a cabo antes de devolver el compresor a los proveedores. Para acelerar este proceso solo debe emplearse calentamiento eléctrico del cuerpo del compresor. Cuando el aceite se drena de un sistema, debe llevarse a cabo de manera segura.

INSTRUCCIONES DE INSTALACIÓN

UBICACIÓN

Este aire acondicionado está diseñado para ventanas de una o dos ventanas. Dado que los diseños de las ventanas varían, puede ser necesario hacer algunas modificaciones para una instalación segura.

Este acondicionador de aire no está diseñado para ventanas verticales de tipo deslizante o para instalación "a través de la pared".

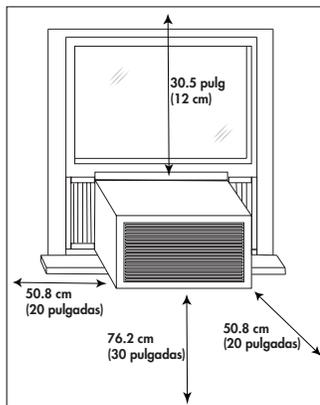
Asegúrese de que la ventana y el marco estén estructuralmente firmes y libres de madera seca o podrida.

Instale el aire acondicionado en una ventana en un costado del edificio que favorezca más sombra que la luz solar. Si el electrodoméstico debe estar expuesto a la luz solar directa, se recomienda proporcionar un toldo de sombra sobre el electrodoméstico para garantizar un funcionamiento eficiente.

No instale el aparato donde se sospeche una fuga de gas combustible.

Este aparato está diseñado para evaporar la condensación en condiciones normales. En condiciones extremadamente cálidas o húmedas, el exceso de condensación puede desbordarse hacia el exterior. El aparato debe instalarse donde la condensación no pueda gotear sobre peatones o propiedades vecinas.

Deje suficiente espacio alrededor del aparato para permitir una amplia circulación de aire. La parte posterior del aparato debe estar al aire libre, no debe estar en un garaje u otra habitación. Mantenga el aparato alejado de obstáculos y al menos a 76 cm (30") del suelo. Asegúrese de que las cortinas y otras obstrucciones no bloqueen el flujo de aire al aparato.



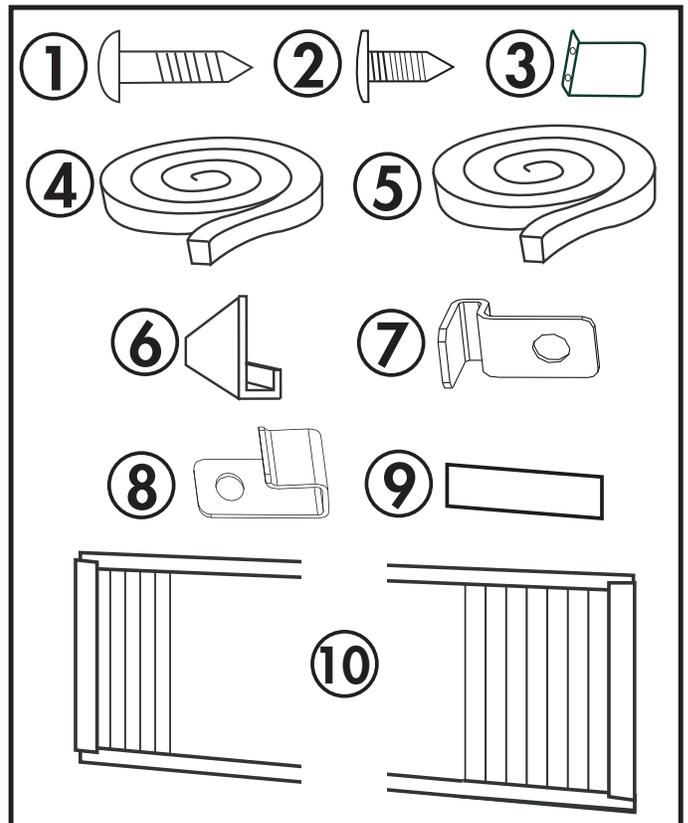
HERRAMIENTAS REQUERIDAS

- Destornilladores: Phillips y cabeza plana.
- Taladro eléctrico: 3.2 mm (1/8 pulgada) de diámetro de la broca
- Lápiz
- Cinta métrica
- Tijeras
- Nivel de carpintero

ACCESORIOS

Los siguientes accesorios se incluyen con el aparato y se deben utilizar durante la instalación.

1. Tornillos de 13 mm (1/2") (x7)
2. Tornillos de 9,5 mm (3/8") (X4) (instalados de fábrica en algunos modelos).
3. Cerradura de seguridad
4. Sello de espuma adhesiva
5. Sello de espuma regular
6. Soporte de montaje en forma de "L" (instalado de fábrica en algunos modelos).
7. Soporte para ventanas de madera (x2)
8. Soporte para ventanas de vinilo (x2)
9. Burlete (x5)
10. Cortinas laterales (x2)



INSTRUCCIONES DE INSTALACIÓN

INSTALACIÓN

Fije las cortinas laterales al aparato deslizando el marco de la cortina en el canal lateral del gabinete. Las cortinas están etiquetadas como "izquierda" y "derecha" en los marcos. Esto se refiere a los lados izquierdo y derecho del aparato cuando se mira hacia la parte frontal del aparato.

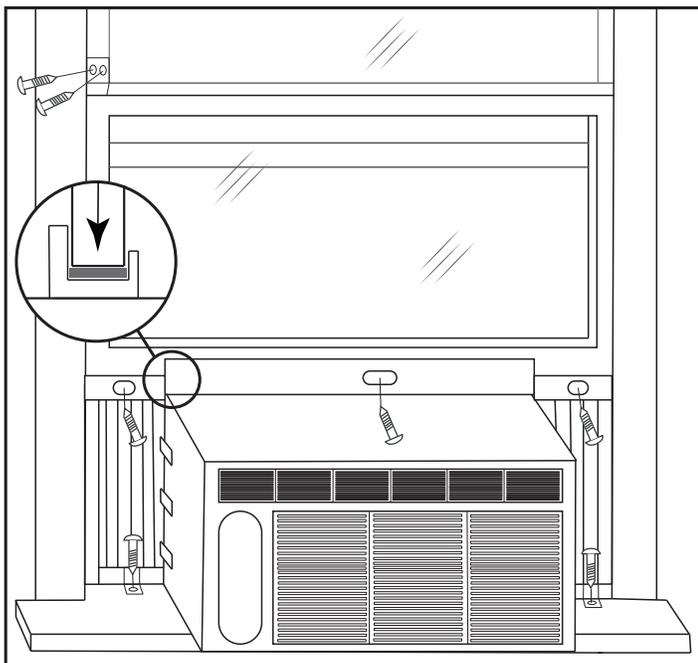
Corte el sello de espuma regular para que se ajuste al área del alféizar de la ventana sobre la que descansará el aire acondicionado.

Coloque el aire acondicionado en la ventana con el soporte de montaje en forma de "L" colocado frente a la hoja superior. La parte inferior del gabinete debe colocarse en la parte empotrada del marco de la ventana. Tire de la hoja superior de la ventana hacia abajo hasta que descansa justo detrás de la brida delantera del soporte de montaje en forma de "L".

Expanda las cortinas laterales en cada lado y asegure la parte superior de los marcos al marco de la ventana con un tornillo de 13 mm (1/2 ") en cada lado del soporte de montaje en forma de "L".

Fije las abrazaderas en la parte inferior de cada cortina al alféizar de la ventana con un tornillo de 13 mm (1/2 ") a cada lado del gabinete.

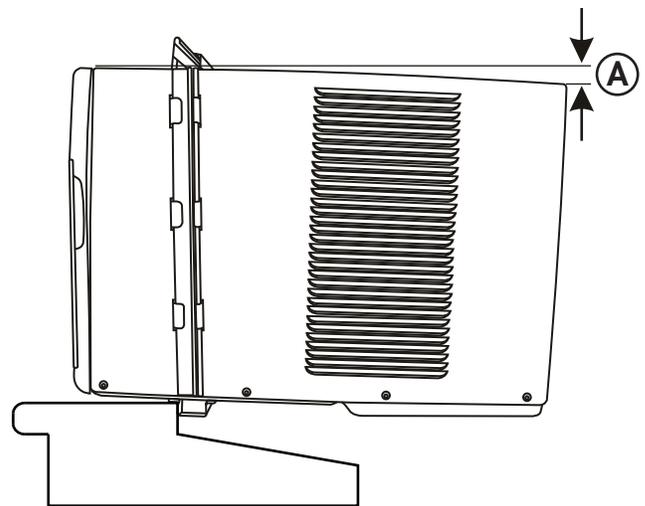
Coloque el sello de espuma adhesiva en la abertura entre las ventanas interior y exterior y fije la cerradura de seguridad al marco de la ventana exterior con dos tornillos de 13 mm (1/2 ").



Compruebe el ángulo de inclinación

El acondicionador de aire debe inclinarse hacia abajo hacia el exterior aproximadamente de 3° a 4°. Esta inclinación estimulará el drenaje del agua condensada hacia el exterior. Si hay fugas de agua condensada en el interior de la casa, compruebe el ángulo de inclinación y ajuste si es necesario.

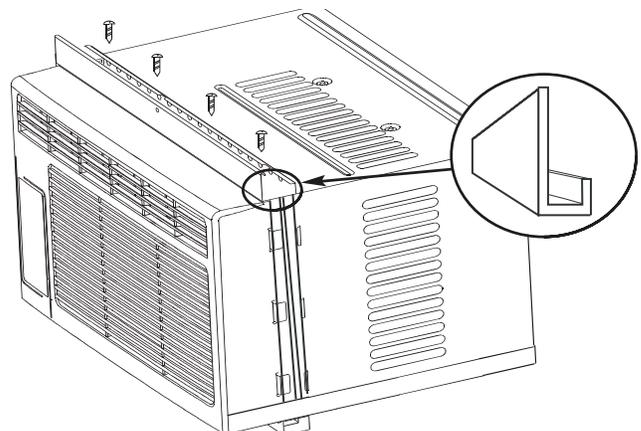
Mida el ángulo de inclinación desde el frente del borde del gabinete. La diferencia de altura entre la parte delantera y la parte posterior del aparato, denominada "A" en la imagen inferior, debe ser de aproximadamente 19 mm a 2.5 cm (3/4 de pulgada - 1 pulgada).



SOPORTE L

El soporte en forma de "L" puede venir instalado de fábrica en algunos modelos.

Si el soporte en forma de "L" no está preinstalado, fíjelo a la parte superior del gabinete como se muestra a continuación utilizando los tornillos de 9.5 mm (3/8") provistos (x4).



INSTRUCCIONES DE OPERACIÓN

PANEL DE CONTROL

1. Panel de visualización

- Muestra la temperatura ajustada.
 - Mientras está en modo ventilador, muestra la temperatura ambiente.
- A. Indicador de modo de ahorro de energía
B. Indicador de conexión inalámbrica
C. Indicador de modo frío
D. Indicador de modo de ventilador
E. Pantalla de temperatura
F. Indicador de escala de temperatura
G. Indicador de reinicio del filtro

2. Botón de modo:

- Se utiliza para elegir el modo de funcionamiento.
- El indicador de reinicio del filtro se iluminará después de 250 horas de uso como recordatorio para limpiar el filtro. Después de limpiar el filtro, mantenga presionado el botón de modo durante 3 segundos para borrar el indicador de reinicio del filtro.

3. Botones para aumentar y disminuir:

- Se utiliza para ajustar la temperatura establecida.
- Mantenga presionados los botones de aumento y disminución durante 3 segundos para cambiar entre °C y °F.

4. Botón de encendido: Se utiliza para encender o apagar el aparato.

INSTRUCCION DE FUNCION

Modos de funcionamiento

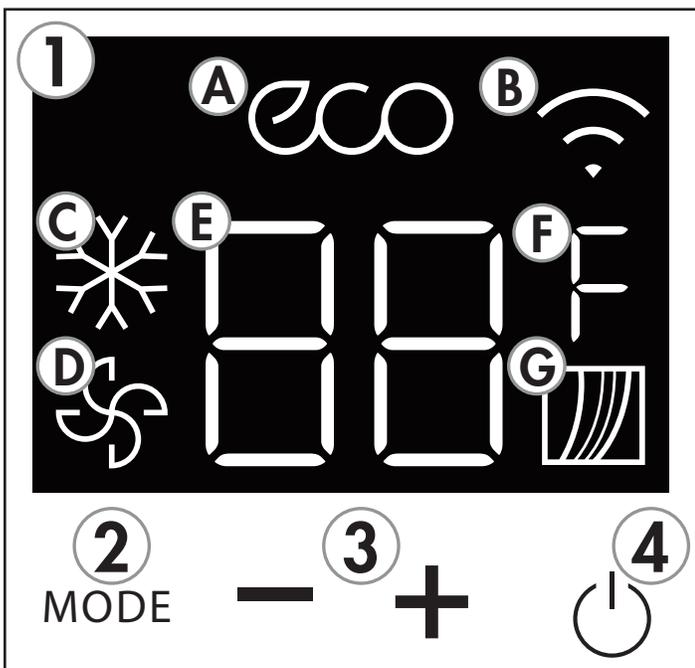
• Modo frío

Elija el modo frío para configurar la función de refrigeración. Use las flechas hacia arriba y hacia abajo para elegir la temperatura deseada. Cuando se selecciona el modo frío, la velocidad del ventilador se puede ajustar presionando el botón del ventilador en el control remoto.

La temperatura se puede ajustar dentro de un rango de 17°C a 30°C (62°F a 86°F).

• Modo de ventilador

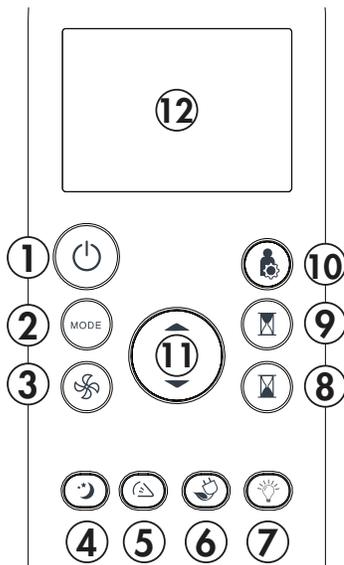
Elija el modo de ventilador para ejecutar el ventilador interno sin activar la función de enfriamiento. Presione el botón del ventilador en el control remoto varias veces para elegir la velocidad del ventilador.



INSTRUCCIONES DE OPERACIÓN

CONTROL REMOTO

- 1. Botón de encendido:** Se utiliza para encender o apagar el aparato.
- 2. Botón de modo:** Se utiliza para elegir el modo de funcionamiento.
- 3. Botón del ventilador:** Se utiliza para establecer la velocidad del ventilador.
- 4. Botón de sueño:** Se utiliza para configurar la función de sueño.
- 5. Botón de persiana:** Se utiliza para establecer el ángulo de la persiana en la parte superior del aparato.
 - Presione una vez para comenzar la función de oscilación.
 - Presione una segunda vez para detener la rejilla cuando haya alcanzado el ángulo deseado.
- 6. Botón de ahorro de energía:** Se utiliza para configurar la función de ahorro de energía.
- 7. Botón LED:**
 - Presione para encender o apagar la luz de fondo del LED.
 - Presiona 7 veces para activar la conexión inalámbrica. Siga las instrucciones de la aplicación de conexión inalámbrica para obtener más información.
- 8. Botón de apagado del temporizador:** Presione para configurar el temporizador de apagado automático.
- 9. Botón de encendido del temporizador:** Presione para configurar el temporizador de encendido automático.
- 10. Botón de acceso directo:** Presione para configurar y activar la función de acceso directo.
- 11. Aumentar y disminuir los botones:**
 - Se utiliza para ajustar la temperatura establecida.
 - Mantenga presionados los botones de aumento y disminución durante 3 segundos para cambiar entre °C y °F.
- 12. Pantalla LED:** Muestra la temperatura configurada y el ajuste del temporizador.



PILAS DEL CONTROL REMOTO

El mando a distancia requiere dos pilas alcalinas AAA (incluidas). Las baterías deben ser reemplazadas cuando:

- a) No se escucha ningún sonido al intentar programar el aparato.
- b) El aparato no responde a una orden emitida por el mando a distancia.

Cambio de batería:

1. Deslice la cubierta posterior del mando a distancia en la dirección de la flecha.
2. Inserte dos pilas AAA siguiendo la misma orientación que se muestra en el interior de la cámara de la batería (+/-).
3. Vuelva a instalar la cubierta trasera.
4. Si el mando a distancia no se utilizará durante períodos de tiempo prolongados, las baterías se deben quitar.

Notas:

- Proteja el control remoto de altas temperaturas y manténgalo alejado de la exposición a la radiación.
- Mantenga el receptor del panel de control alejado de la luz directa del sol.
- No mezcle baterías viejas y nuevas.
- No mezcle pilas alcalinas, estándar (carbono-zinc) o recargables (ni-cad, ni-mh, etc.).
- El control remoto funciona a una distancia de 8 metros (26 pies) del receptor situado dentro del aparato principal. Cualquier obstrucción entre el receptor y el remoto puede causar interferencia de señal, limitando la capacidad de programar la unidad principal.

INSTRUCCIONES DE OPERACIÓN

FUNCIÓN DE ACCESO DIRECTO

La función de acceso directo solo está disponible en el control remoto. Se puede utilizar para establecer un ajuste favorito.

1. Ajuste el aparato a la temperatura y velocidad del ventilador que le gustaría configurar como favorito.
2. Mantenga presionado el botón de acceso directo durante 2 segundos.
3. Presione el botón de acceso directo en cualquier momento en el futuro para volver a la configuración favorita.

Si no se configura ningún favorito, al presionar el botón de acceso directo, el aparato funcionará en modo automático a 29°C (79°F), con la velocidad del ventilador configurada en automático.

FUNCIÓN DE TEMPORIZADOR

La función de temporizador solo está disponible en el control remoto. Se puede utilizar para encender o apagar el aparato después de un período de tiempo establecido.

Para configurar el temporizador automático:

1. Presione el botón de encendido del temporizador o el temporizador de apagado dependiendo de si el dispositivo debe encenderse o apagarse después del período de tiempo establecido.
2. Use los botones del temporizador para seleccionar el tiempo deseado antes de que se encienda el aparato. Los botones del temporizador agregarán o restarán el tiempo en incrementos de 30 minutos hasta 10 horas y luego en incrementos de 1 hora hasta 24 horas.
3. Al encender o apagar el aparato en cualquier momento, se cancelará la configuración del temporizador.

FUNCIÓN DE AHORRO DE ENERGÍA

La función de ahorro de energía solo está disponible en el control de eliminación en modo frío. Automáticamente encenderá y apagará el ventilador cuando el compresor no esté en uso para minimizar la frecuencia con la que el compresor necesita encenderse.

El ventilador continuará funcionando durante 3 minutos después de que el compresor se apague. Luego, el ventilador funcionará durante 2 minutos en intervalos de 10 minutos hasta que la temperatura ambiente esté por encima de la temperatura establecida, momento en el cual el compresor se encenderá y la refrigeración se reanudará.

FUNCIÓN DEL SUEÑO

La función de sueño se puede utilizar para conservar energía durante las horas de sueño.

Cuando se selecciona, la temperatura establecida aumentará en 1°C/2°F cada media hora durante una hora completa. El aparato mantendrá la nueva temperatura establecida durante 6 horas antes de volver automáticamente al funcionamiento normal.

La función de suspensión se puede cancelar en cualquier momento presionando el botón de sueño.

CONEXIÓN INALÁMBRICA

Este dispositivo se puede controlar con una aplicación inalámbrica en su dispositivo inalámbrico.

Visite <https://www.danby.com/support/#apps> para descargar la aplicación y obtener información sobre su funcionamiento.

INSTRUCCIONES DE OPERACIÓN

FILTRO DE AIRE

El filtro de aire debe limpiarse aproximadamente cada 2 semanas. El filtro de aire puede requerir una limpieza más frecuente si hay caspa o pelaje en el aire.

Aproximadamente cada dos semanas, la luz indicadora del filtro en el panel de control se iluminará como un recordatorio para limpiar el filtro. Siga los pasos que se indican a continuación para limpiar el filtro y volver a ponerlo en funcionamiento normal.

1. El filtro de aire se encuentra detrás de la rejilla de admisión delantera. Para quitar el filtro de aire, sujete la lengüeta del filtro en el lado derecho de la parrilla y deslícela hacia la derecha. Si la rejilla de admisión delantera tiene dos muescas, tire de la parrilla hacia adelante para quitar el filtro de aire.
2. Utilice una aspiradora con un accesorio de cepillo suave para eliminar los residuos grandes o acumulación de polvo del filtro de aire.
3. Lave el filtro en agua tibia jabonosa, por debajo de 40°C (104°F), o utilice un agente de limpieza neutro.
4. Enjuague el filtro con agua limpia y séquelo completamente antes de volver a instalarlo en el aparato.
5. Pulse el botón de filtro en el panel de control para reanudar el funcionamiento normal.

Nota: No opere el aparato sin el filtro de aire instalado.

CÓDIGOS DE ERROR

Si el panel de visualización muestra alguno de los siguientes códigos de error, desenchufe el aparato, déjelo reposar durante 5-10 minutos y vuelva a enchufarlo. Si el error persiste, llame al servicio técnico.

LO - Se muestra cuando la temperatura ambiente es inferior a 0°C (32°F).

HI - Se muestra cuando la temperatura ambiente es superior a 37°C (99°F).

AS - Error del sensor de temperatura ambiente.

ES - Error del sensor de temperatura del evaporador.

LIMPIEZA

Para evitar posibles descargas eléctricas, asegúrese de que el aparato esté desenchufado antes de realizar cualquier limpieza o mantenimiento.

El exterior del aparato se puede limpiar con un paño suave o con un paño tibio y húmedo si es necesario.

No utilice gasolina, benceno, diluyente o cualquier otro producto químico para limpiar este aparato ya que estas sustancias pueden dañar el acabado y la deformación de las piezas de plástico.

Nunca vierta agua directamente sobre el aparato, ya que esto puede causar el deterioro de los componentes eléctricos y el aislamiento del cableado.

CUIDADO DE FINAL DE TEMPORADA

Antes de dejar el aparato en servicio durante el año, haga funcionar el aparato en modo de ventilador alto durante medio día para asegurarse de que el interior del aparato esté seco. Esto ayudará a evitar el crecimiento de moho o moho dentro del aparato. Asegúrese de que el filtro esté limpio y seco. Guarde el aparato en un lugar seco.

Nota: Al instalar o quitar el aparato de la ventana, asegúrese de que se tome precaución para evitar que caiga hacia atrás. Se recomienda que la instalación o remoción se complete con ayuda para evitar lesiones a personas o daños a la propiedad o al aparato.

DISPOSICIÓN

Compruebe la conformidad reglamentaria local con respecto a la eliminación aprobada y segura de este electrodoméstico.

SOLUCIÓN DE PROBLEMAS

Danby cuidado del consumidor: 1-800-263-2629 o consumerservice@danby.com

Horas de operación:

Lunes a Jueves 8:30 am - 6:00 pm Hora estándar del este

Viernes 8:30 am - 4:00 pm Hora estándar del este

La información de este manual está sujeta a cambios sin previo aviso.

PROBLEMA	CAUSA POSIBLE
El aparato no funcionará	<ul style="list-style-type: none">• El enchufe no está completamente insertado en el tomacorriente de pared• Fusible fundido o disyuntor
Enfriamiento insuficiente	<ul style="list-style-type: none">• El filtro de aire está sucio• Flujo de aire bloqueado• El tamaño del dispositivo es demasiado pequeño para la aplicación
Ruido	<ul style="list-style-type: none">• Soporte inadecuado en la instalación de ventanas
Olores	<ul style="list-style-type: none">• Formación de moho o moho en superficies mojadas internas• Coloque un comprimido de algicida en el molde de la base; empuje la tableta a través de la parrilla a cada lado del aparato
El agua que gotea en el interior	<ul style="list-style-type: none">• El aparato no está correctamente inclinado para permitir que el agua se drene hacia el exterior
El agua que gotea fuera	<ul style="list-style-type: none">• En días muy calurosos o húmedos, el agua goteada por la parte trasera del aparato es normal
Acumulación de escarcha	<ul style="list-style-type: none">• Cuando las temperaturas exteriores están por debajo de 18.3°C (65°F) puede formarse escarcha cuando el aparato esté en modo de enfriamiento• Cambie el aparato al modo ventilador sólo hasta que el hielo se derrita

Este aparato digital de Clase B cumple con la norma Canadiense ICES-003. CAN ICES-3 (B)

Este equipo ha sido probado y cumple con los límites para un dispositivo digital de Clase B, de acuerdo con la Parte 15 de las Reglas de la FCC. Estos límites están diseñados para proporcionar una protección razonable contra interferencias en una instalación residencial.

Este equipo genera, utiliza y puede irradiar energía de radiofrecuencia y, si no se instala y utiliza de acuerdo con las instrucciones, puede causar interferencia en las comunicaciones de radio. Sin embargo, no hay garantía de que no se produzcan interferencias en una instalación en particular.

Si este equipo causa interferencias en la recepción de radio o televisión, lo que puede determinarse apagando y encendiendo el equipo, se recomienda al usuario que intente corregir la interferencia mediante una o más de las siguientes medidas:

1. Reorientar o reubicar la antena receptora.
2. Aumente la separación entre el equipo y el receptor.
3. Conecte el equipo a una toma de corriente en un circuito distinto al que está conectado el receptor.
4. Consulte al distribuidor o a un técnico de radio / TV experimentado para obtener ayuda.

Los cambios o modificaciones no aprobados por la parte responsable del cumplimiento de la FCC podrían anular la autoridad del usuario para operar el equipo. Este aparato cumple con la Parte 15 de las Reglas de la FCC.

El funcionamiento está sujeto a las dos condiciones siguientes:

1. Este dispositivo no puede causar interferencias.
2. Este dispositivo debe aceptar cualquier interferencia recibida, incluida la interferencia que pueda causar un funcionamiento no deseado.

GARANTÍA LIMITADA "ACARREADO SOLAMENTE"

Este producto de calidad está garantizado contra defectos de fabricación, incluyendo partes y mano de obra, siempre y cuando la unidad se utilice bajo las condiciones normales de funcionamiento para las que fue diseñado.

Esta garantía está solamente disponible para la persona que haya comprado originalmente esta unidad directamente de Danby Products Limited (Canada) o Danby Products Inc. (U.S.A.) (en adelante "Danby") o uno de sus distribuidores autorizados, y no es transferible.

CONDICIONES DE LA GARANTÍA

Las piezas plásticas, se autorizan por treinta (30) días solamente a partir de la fecha de la compra, sin las extensiones proporcionadas.

Primeros 24 meses Durante los primeros **veinticuatro (24) meses**, cualquier parte en buen estado de este producto que resulte defectuosa, incluyendo cualquier sistema sellado, será reparado o reemplazado, a opción del fabricante, sin cargo para el comprador original.

Para obtener servicio Póngase en contacto con el distribuidor donde adquirió el electrodoméstico o póngase en contacto con el centro de servicio autorizado más cercano de Danby, donde el servicio debe ser realizado por un técnico cualificado. Si el servicio es realizado por cualquier persona que no sea un depósito de servicio autorizado, todas las obligaciones de Danby bajo esta garantía serán nulas.

Es responsabilidad del comprador transportar el aparato al centro de servicio autorizado más cercano.

Los cargos de transporte desde y hacia el lugar de servicio no están protegidos por esta garantía y son responsabilidad del comprador.

Nada dentro de esta garantía implica que Danby será responsable por cualquier daño que hayan sufrido los alimentos u otros contenidos de este aparato, ya sea debido a un defecto del aparato, o su uso, adecuado o inadecuado.

EXCLUSIONES

Salvo lo aquí indicado por Danby, no existen otras garantías, condiciones o representaciones, explícitas o implícitas, concretas o intencionales por parte de Danby o sus distribuidores autorizados y todas las demás garantías, condiciones o representaciones, incluyendo cualquier garantía, condiciones o representaciones bajo cualquier Acta de Venta de Productos o legislación o estatuto similar, quedan de esta forma expresamente excluidas. **Salvo lo aquí indicado, Danby no serán responsables por ningún daño a personas o bienes, incluyendo la propia unidad, sin importar su causa, o de ningún daño indirecto causado por el desperfecto de la unidad, y al comprar esta unidad, el comprador acepta por la presente, indemnizar y proteger a Danby contra cualquier reclamo por daños a personas o bienes causados por la unidad.**

CONDICIONES GENERALES

No se considerará ninguna de estas garantías o seguros cuando el daño o la necesidad de reparación sea el producto de los siguientes casos:

- 1) Falla del suministro eléctrico.
- 2) Daños en tránsito o durante el transporte de la unidad.
- 3) Alimentación incorrecta, como bajo voltaje, instalación eléctrica defectuosa o fusibles inadecuados.
- 4) Accidente, modificación, abuso o uso incorrecto del artefacto, tal como insuficiente ventilación del ambiente o condiciones de operación anormales (temperatura ambiente extremadamente alta o baja).
- 5) Utilización comercial o industrial (v.g., si el electrodoméstico no está instalado en una vivienda particular).
- 6) Incendio, daños por agua, robo, guerra, disturbios, hostilidades, actos de fuerza mayor como huracanes, inundaciones, etc.
- 7) Pedidos de servicio debido a desinformación del usuario.
- 8) Instalación inadecuada (v.g., instalación de un electrodoméstico independiente o uso de un aparato al aire libre que no esté aprobado para aplicaciones en exteriores, incluyendo pero no limitado a: garajes, patios, porches o cualquier lugar que no esté bien aislado o controlado por el clima).

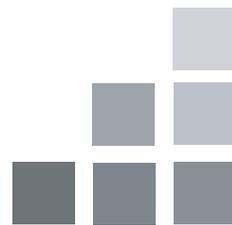
Se requerirá una prueba de la fecha de compra para reclamaciones de garantía; conservar las facturas de venta. En el caso de que se requiera servicio de garantía, presente el comprobante de compra a nuestro depósito de servicio autorizado.

Servicio de Garantía
Acarreado Solamente

Danby Products Limited
PO Box 1778, Guelph, Ontario, Canada N1H 6Z9
Telephone: (519) 837-0920 FAX: (519) 837-0449

1-800-263-2629
04/17

Danby Products Inc.
PO Box 669, Findlay, Ohio, U.S.A. 45840
Telephone: (419) 425-8627 FAX: (419) 425-8629



MODEL • MODÈLE • MODELO

DAC080B5WDB