

OWNER'S MANUAL

MANUEL DE L'UTILISATEUR

Model • Modèle 3.3SM4R

CAUTION:

Read and follow all safety rules and operating instructions before first use of this product.

PRÉCAUTION:

Veillez lire attentivement les consignes de sécurité et les instructions d'utilisation avant l'utilisation initiale de ce produit.



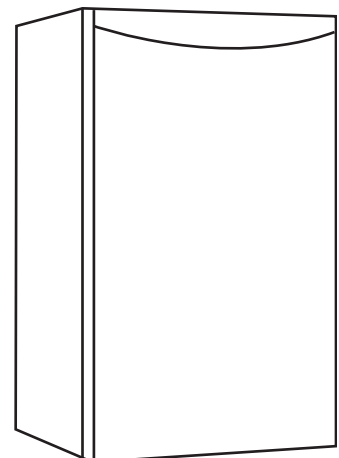
ALL REFRIGERATORS

• Before Putting Into Use	2
• Important	2
• Placing and Installation.....	3
• Refrigerator bracket & Microwave installation	4
• Description of the Appliance.....	5
• Operation Control	6
• Maintenance and Cleaning	7
• Changing the Direction of opening the Door	8
• Trouble Shooting Guide	9
• Bulb Replacement	10
• WARRANTY	11

LES TOUT RÉFRIGÉRATEURS

• Avant la mise en marche	13
• Important	13
• Placement et installation	14
• Support du réfrigérateur et installation du micro-ondes	15
• Description de l'appareil	16
• Contrôle du fonctionnement	17
• Entretien et nettoyage	18
• Changer le sens d'ouverture de la porte	19
• Guide de dépannage	20
• Changer l'ampoule	21
• GARANTIE	22

3.3SM4R



All Refrigerators

This Refrigerator is for domestic use only and is intended for storing fresh foods at temperatures higher than 0° / 32°F.

SAVE THESE INSTRUCTIONS

Before Putting Into Use	2	Maintenance and Cleaning	7
Instructions for Use		Automatic Defrosting of the Refrigerator	
Tips for Energy Savings		Cleaning the Appliance	
Important	2	Switch Off the Appliance When Not In Use	
Placing and Installation	3	Changing the Direction of the	
Choosing the Right Place		Door Opening (swing)	8
Placing the Self-standing Appliance		Trouble-Shooting Guide	9
Connection to Power Supply		Bulb Replacement	10
Refrigerator bracket & Microwave		Warranty	11
Installation	4		
Description of the Appliance	5		
Operation Control	6		
Temperature Selection			

Before Putting Into Use

- Before connecting the appliance to electrical power supply, let it stand for about 2 hours, which will reduce the possibility of malfunctions in the cooling system due to transport handling.
- Clean the appliance thoroughly, especially in the interior (See Cleaning and Maintenance).
- In case the interior accessories are not correctly placed, rearrange them as described in chapter "Description of the Appliance".

Instructions for Use

These instructions for use are intended for the user. They describe the appliance and correct operating procedures for safe use.

SAVE THESE INSTRUCTIONS

Tips for Energy Savings

- Try not to open the door too often, especially when the weather is hot and humid. Once you open the door, close it as soon as possible. This is especially important if you have an upright model.
- Every now and then check if the appliance is sufficiently ventilated (adequate air circulation behind the appliance).
- Set the thermostat from higher to lower settings as soon as possible (depends on how loaded the appliance is, ambient temperatures, etc.)
- Before loading the appliance with packages of fresh foods, make sure that they are cooled to ambient temperature. (excluding soups).
- Ice and frost layers increase energy consumption, so clean the appliance as soon as the frost layer is 1/8-1/4 inch thick.
- If the gasket is damaged or the door seal is poor, energy consumption is substantially higher. To restore efficiency, replace the gasket.
- Always consider instructions stated in sections Positioning and Energy Saving Tips, otherwise the energy consumption is substantially higher.

Important

Read all safety information before using

IMPORTANT WARNING!

An empty refrigerator is a very dangerous attraction to children. Remove the gasket, latches, lids or doors from unused appliances, or take some other action that will guarantee the appliance harmless.

DANGER: Risk of child entrapment. Before you throw away your old refrigerator:

- Take off the doors.
- Leave the shelves in place so that children may not easily climb in.

DON'T WAIT! DO IT NOW!

WARNING! EXPLOSION HAZARD!

Risk of fire or explosion due to puncturing of refrigerant tubing. Do not use sharp objects to aid in defrost. Please handle with care. Keep flammable materials and vapors such as gasoline away from the refrigerator. Use nonflammable cleaner.

Disposal of this unit should be in accordance with federal and local regulations.

- The appliance must be properly connected to an electrical power supply. (See: Connection to Power Supply).
- Always disconnect the appliance from the power supply before cleaning the appliance or replacing the light bulb.
WARNING: repairs should be performed by qualified service personnel only.
- Do not defrost the appliance with other electric appliances (for example a hair dryer) and never attempt to scrape/remove ice/frost with sharp objects.
- The rating plate containing Model No/Serial No and other technical data specific to this unit, is located either inside the appliance or outside on the rear wall.
- The refrigerator system of the appliance is filled with refrigerant and insulating substances which should be separately treated and processed. Call your nearest authorized service agent or specialized servicing center. If you are unable to locate one, contact your local authorities or your distributor. Be careful not to damage the tubes on the rear wall of the appliance (danger of pollution).

Please ensure that component parts shall be replaced with like components and that servicing shall be done by factory authorized service personnel, so as to minimize the risk of possible ignition due to incorrect parts or improper service.

Placing and Installation

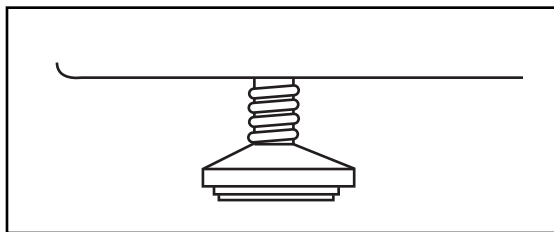
Choosing the right place

Place the appliance in a dry and regularly ventilated room. Never place the appliance near heat emitting devices (e.g. cooking appliances, radiators, water heaters or similar devices) and do not expose to direct sunlight.

The appliance should be positioned at least 1.2 inches (3 cm) away from electric or gas cooking appliances and at least 12 inches away from oil or coal fired stoves. If this is not possible, use an appropriate insulation barrier.

Installation

Place the appliance firmly on a solid base. Some appliances have adjustable feet on the front side; use them to level the appliance.



WARNING

Instructions pertaining to the risk of fire, electric shock, or injury to persons.

Grounding Instructions

This appliance must be grounded. In the event of an electrical short circuit, grounding reduces the risk of electrical shock by providing an escape wire for the electrical current. This appliance is equipped with a cord having a grounding wire with a grounding plug. The plug must be plugged into an outlet that is properly installed and grounded.

WARNING - Improper use of the grounding plug can result in a risk of electric shock. Consult a qualified electrician or serviceman if the grounding instructions are not completely understood, or if doubt exists as to whether the appliance is properly grounded.

Connection to Power Supply

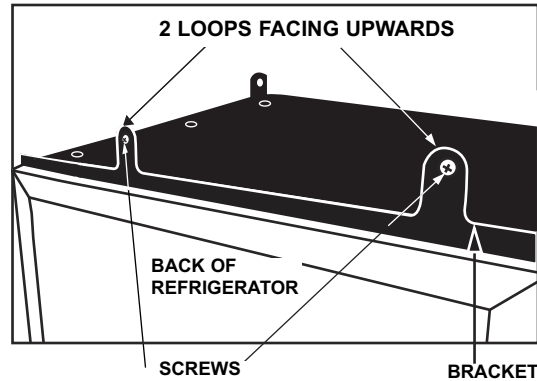
Connect the appliance power cord and plug to a properly grounded wall outlet. The required nominal voltage and frequency are indicated on the rating plate (inside the unit or on the exterior rear wall of the unit).

DO NOT USE AN EXTENSION CORD

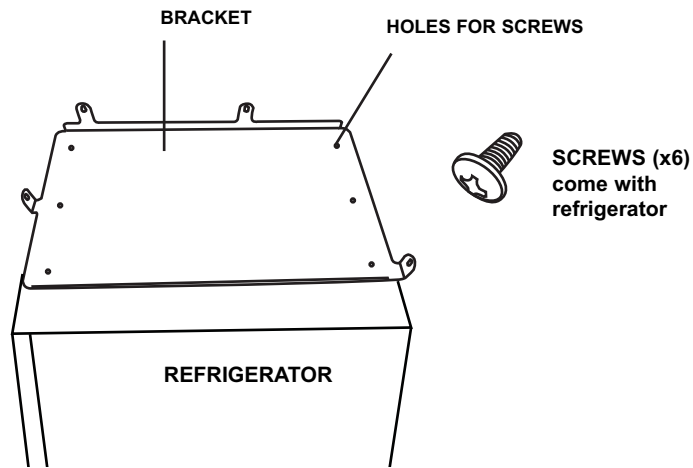
Use an exclusive 115V wall outlet. Do not connect your refrigerator to extension cords or together with any other appliance in the same wall outlet. Do not splice the cord.

REFRIGERATOR BRACKET & MICROWAVE INSTALLATION

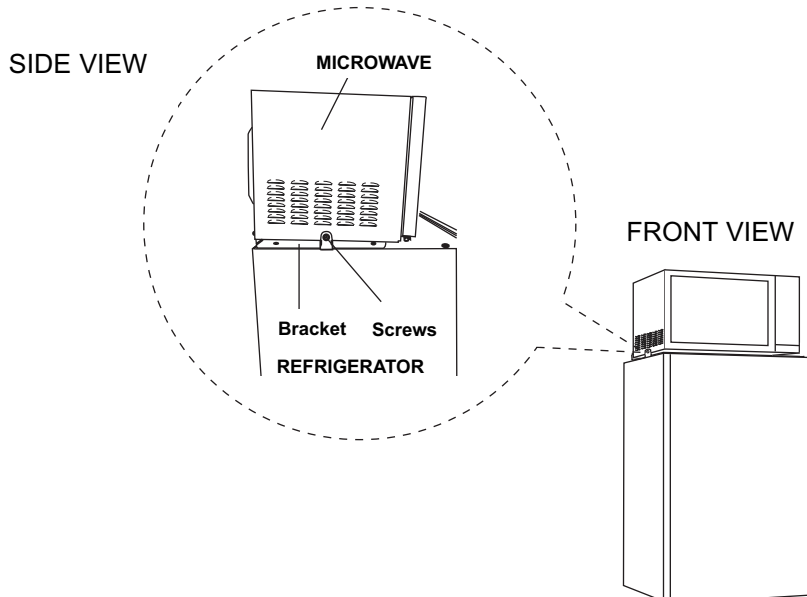
1. Place the bracket on top of the refrigerator with its rear lip with two loops facing upward. The rear lip of the bracket should be lined up with the back edge of the refrigerator, with the two side loops facing up to accept the microwave.



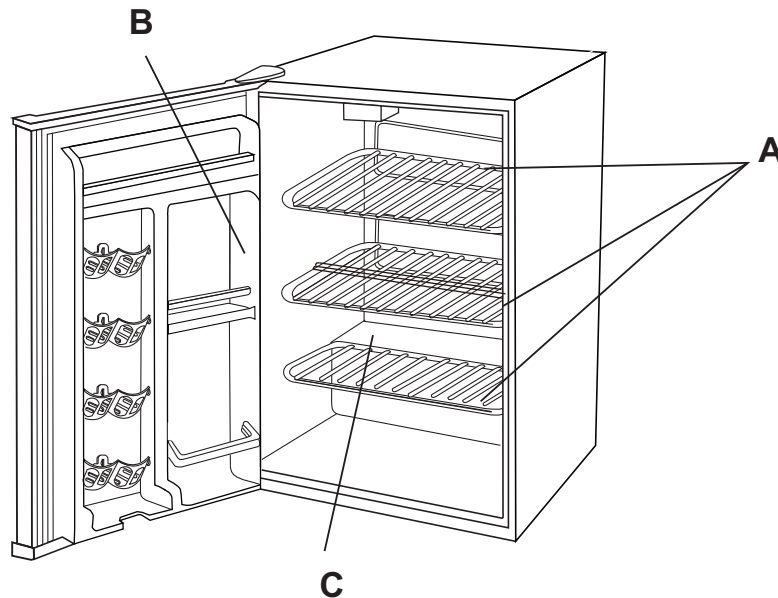
2. With the bracket lined up as stated above the preset holes on top of the refrigerator should be lined up with the holes on the bracket. Attach the bracket to the refrigerator using the six screws that come supplied with the refrigerator.



3. Place the microwave oven on top of the refrigerator and inside the two upright loops on the sides and in front of the two upright loops on the back of the bracket. Line up the holes on each side and on the back of the bracket and attach the microwave using the screws supplied. The two back screws come supplied with the refrigerator while the two side screws are already on the microwave. Please remove the two microwave screws prior to placing the microwave oven on top of the refrigerator.



Description of the Appliance



3.3SM4R

(A) Plastic Coated Shelves

Odor resistant, rustproof, and removable for easy cleaning.

(B) Door Liner

The door liner consists of tall, medium, and large bottles, cans or jars. The canstor door liner holds 355ml cans of pop, juice or beer.

(C) Defrost Water Outlet

The interior of the refrigerator is cooled with a cooling plate mounted in the rear wall. Under the plate there is a channel and an outlet for defrost water.

Regularly check the defrost water outlet and the drain channel for blockage. They should always be kept free and clean of food particles. If the drain outlet does become clogged, use a plastic straw to clean it.

Illumination in the Interior Of the Refrigerator

The light for illuminating the interior of the refrigerator is on when the door is opened, off when the door is closed.

Operation Control

The temperature of the refrigerator is controlled by setting thermostat knob to a desired setting.

Temperature Selection

To start the refrigerator, turn the temperature control knob to the position corresponding to the desired cooling (on the graduated blue dial)
Fig A

The refrigerator temperature will vary depending on the quantity of the food stored and on the frequency with which the door is opened.

To turn the control to the "OFF" position, rotate the control knob to the "0°" position. If the refrigerator has been left out of use for some time, set the control to maximum for 2-3 hours before turning to the desired position. If the refrigerator is not being used for long time periods, disconnect the plug and leave the door partially open. This will help to reduce mold/mildew from accumulating inside the refrigerator cabinet.

- Changes in ambient room temperature will affect internal refrigerator temperatures (choose correct setting of the thermostat knob).
- In STOP (0) position the appliance does not operate (cooling system is switched off), yet power supply is not interrupted (the light is on , when you open the refrigerator door).
- Temperature in the refrigerator also depends on how often the door is opened.

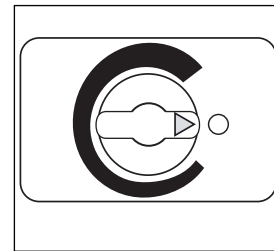


FIG A

Maintenance and Cleaning

Automatic Defrosting of the Refrigerator

There is no need to defrost the refrigerator, because ice depositing on the inner back wall is defrosted automatically.

Ice build-up on the inner back wall during the compressor operation; will (when the compressor has cycled off) defrost automatically. Defrost water collects inside the drain through passing through the drain outlet in the inner back wall into a drain pan situated above the compressor, from where it evaporates.

Cleaning the Appliance

Disconnect the power bar before cleaning the appliance.

Do not use coarse or aggressive cleaning agents as you can damage the surface.

Clean the exterior with water and detergent. Remove the detachable accessories in the interior of the appliance and clean with water and liquid detergent. Plastic parts cannot be washed in dishwashers.

Wash the interior of the appliance with lukewarm water, adding one or two spoonfuls of vinegar. After cleaning, connect the appliance to power supply and reload it.

Switch Off the Appliance When Not In Use

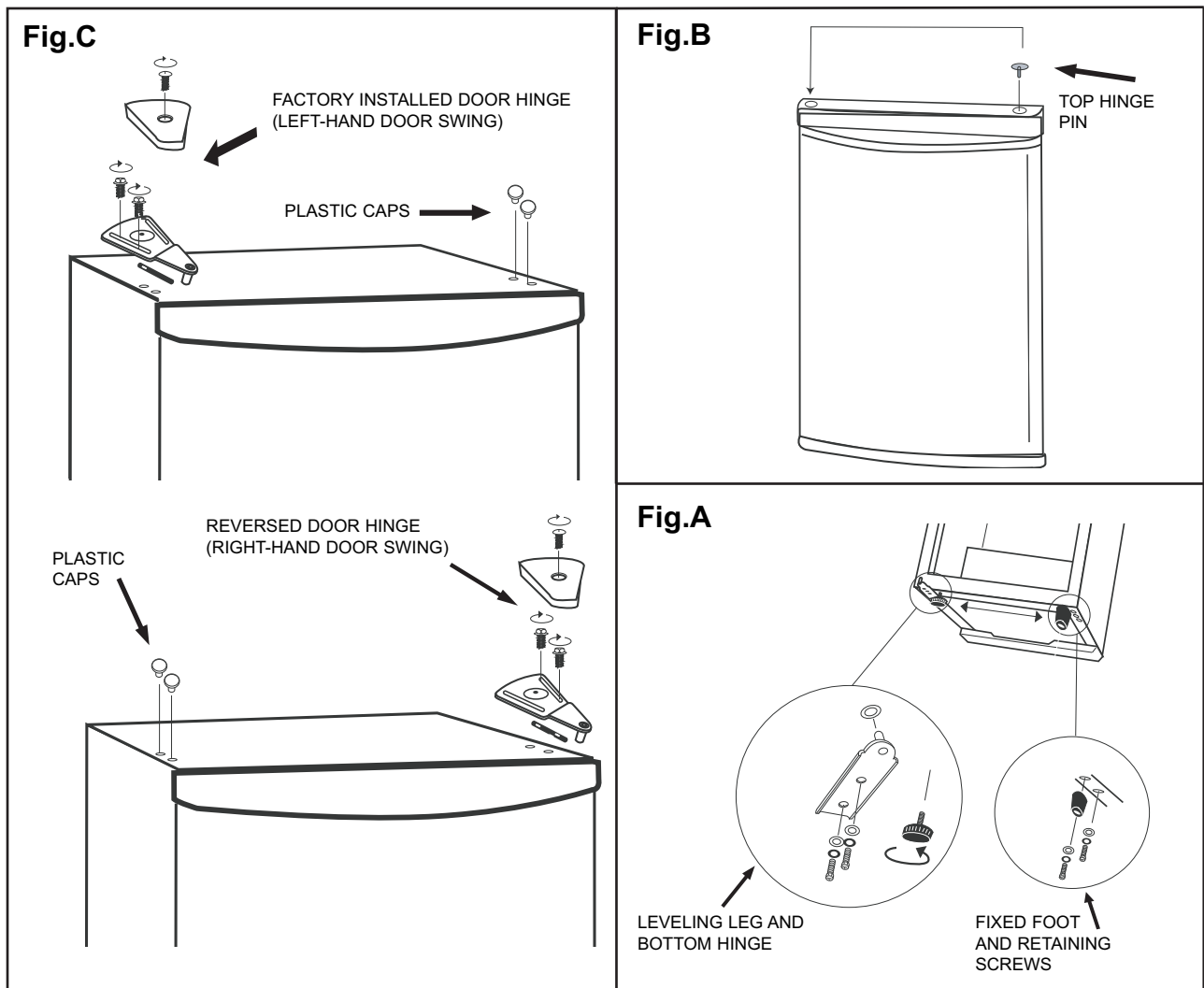
If you do not intend to use the appliance for long periods of time, (vacations) set the thermostat knob to the STOP (0) position, disconnect the power supply, take out the foods and defrost and clean the appliance. Leave the door slightly open.

Changing the Direction of the Door Opening (Swing)

Your refrigerator has a factory-installed left-hand door swing. To avoid personal injury to yourself and/or property, we recommend someone assist you during the door reversal process.

Tools needed: No. 2 Phillips screwdriver

1. Remove the upper hinge pin from the right side of the door frame and reinstall it on the left side of the door frame (the previous pin location)(See Fig.B)
2. Remove the plastic cap from the top right-hand side of the cabinet and reinstall on the left side of the cabinet (the previous pin location) (See fig.C)
3. Remove the upper door hinge from the left-hand side of the cabinet and reinstall on the right side of the cabinet (the previous pin location) (See fig.C)
4. Remove the three retaining screws on the bottom right side of the cabinet and reinstall the fixed foot on the left side in the former lower hinge assembly screw positions, remove the leveling leg and bottom hinge (See fig. A)
5. With the door closed, reinstall the lower hinge assembly on the right side of the refrigerator.(See fig. A)
6. Reinstall leveling leg. (See fig. A)



Trouble-Shooting Guide

Sometimes you may come across minor problems that in most cases do not require a service call and can be easily eliminated. The problem may have resulted from improper handling and/or installation of the appliance. Please refer to the below troubleshooting guide to assist you in identifying the possible cause and solution to your problem. Should the problem still persist after completing these checkpoints. Contact the closest authorized service agent in your area for assistance.

The Appliance Fails to Operate After Connecting to Electrical Power Supply

- Check the power cord is properly connected.
- Check the power supply in the electrical outlet. (blown fuse / circuit breaker)
- Make sure the appliance is switched on. (thermostat knob in operating position)

Continuous Operation of the Cooling System

- The door is frequently opened or left open for too long.
- The door is not properly closed (the door may sag, the gasket may be damaged).
- Perhaps you may have overloaded the appliance with fresh foods.
- The reason may be inadequate ventilation of the compressor (assure adequate air circulation).

Ice Formation on the Inner Rear Wall

As long as the defrost water runs to the channel and through the outlet to the drain pan on the compressor, automatic defrosting of the appliance is assured.

In case the ice formation on the inner back wall is increased (1/8 - 1/4 inches), ice should be manually defrosted.

Set the thermostat knob to **STOP (0)** position and leave the door open. Never use electric devices for defrosting and do not scrape the ice or frost layer with sharp objects.

After defrosting is complete, turn the knob to desired position and close the refrigerator door. The cause of increased ice formation may be one of the following: the door does not seal well (clean the gasket if it is dirty, or replace it if it is

- the door is frequently opened or left open too long;
- the food stored in the refrigerator was warm;
- the food or dish is touching the inner back wall.

Water is Leaking From the Refrigerator

If the discharge water outlet is clogged, or the defrost water drips over the channel, water will leak from the refrigerator.

- Clean the clogged outlet, for example with a plastic straw.
- Manually defrost the increased ice layer. See "Ice Formation on the Inner rear Wall"

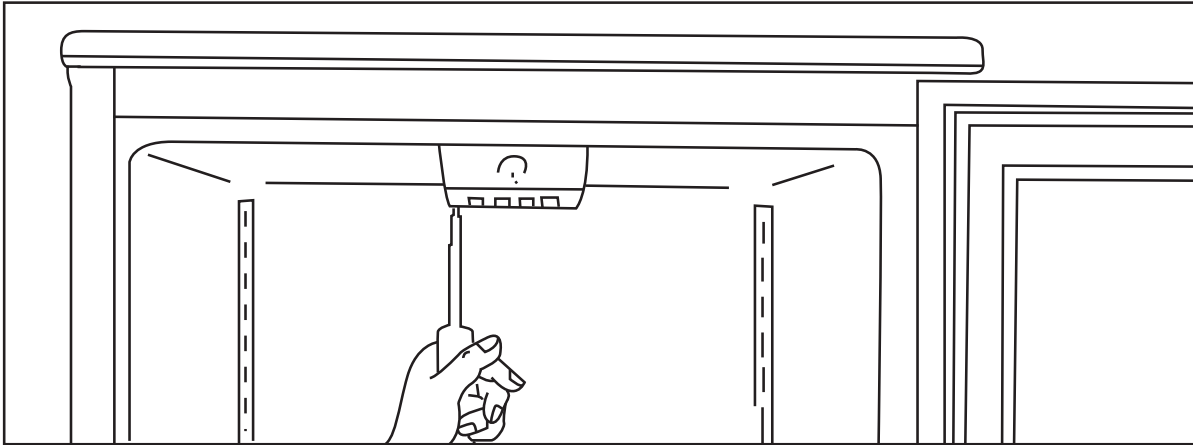
Noise

Cooling in a refrigerator-freezing appliance is made possible by cooling the system using a compressor, which will produce certain noise levels. How noisy the appliance is depends on where it is placed.

- **During the operation** of the compressor the noise of the liquid is heard and when the compressor is not operating, the refrigerant flow is heard. This is a normal condition and it has no influence on the lifetime of the appliance.
- **After starting the appliance**, the operation of the compressor and the refrigerant flow may be louder, which does not mean that something is wrong with the appliance and it has no influence on the lifetime of the appliance. Gradually the noise is reduced.
- Sometimes **unusual and louder** noise is heard, which is rather unusual for the appliance. This noise is often a consequence of inadequate installation.
 - The appliance must be level and installed on a firm solid base/floor.
 - It should not touch the wall or kitchen units standing next to it.
 - Check the accessories on the interior of the appliance, they should be placed correctly in their positions; also check, bottles, tins, and other vessels are not touching each other causing rattling and/or vibrations.

Bulb Replacement

Before replacing the light bulb, disconnect the appliance from the power supply. Using a phillips screwdriver, remove the screw located on the left (center) side of the light cover. Pull the light cover straight down. Replacement light bulb must be the same wattage as the original bulb.(15 watts only)



snackmate by MicroFridge[®], a Product of INTIRION[™] Corporation
Microwave Oven and Refrigerator/Freezer Residential Limited Warranty

INTIRION, a division of Danby Limited, is pleased to provide a comprehensive warranty on these products. INTIRION takes pride in its product and manufacturing standards and warrants its products and parts against defects in materials or workmanship to the original purchaser.

<u>Subassembly</u>	<u>Duration</u>
- Microwave oven and refrigerator/freezer components	1 year

All requests for service should be directed to Customer Service at INTIRION by calling 1-800-637-7567 if you are located in the U.S., and 1-800-263-2629 if you are located in Canada. INTIRION offers a quick response customer service program. Customer Service will diagnose the problem and either promptly replace or repair the unit, at the discretion of INTIRION.

snackmate by MicroFridge[®] warranty services are performed by **INTIRION authorized** service providers. INTIRION expects prompt, courteous and efficient service. INTIRION further expects that all **authorized service providers** will make every reasonable effort to enhance the image and reputation of INTIRION and its products. Inadequate service or customer dissatisfaction should be promptly reported to INTIRION.

Damage initiated by spark fires caused by using inappropriate material inside the microwave oven is specifically excluded from this warranty. INTIRION assumes no liability and does not guarantee or warrant any repairs and/or replacement parts not supplied or performed by an **authorized service provider**, nor any 50/60 cycle or 60/50 cycle conversions, damage caused by failure to follow the owner's manual as to adjustments and/or maintenance, customer adjustments that are not covered in the instruction booklet, broken or marred cabinet, misuse, neglect, accident, fire, flood or other acts of nature.

THIS WARRANTY WILL BECOME INVALID IF ANY SERIAL NUMBER ON THE PRODUCT IS ALTERED, REPLACED, DEFACED OR MISSING. THIS WARRANTY IS FOR INTIRION PRODUCTS PURCHASED AND USED IN THE UNITED STATES AND CANADA EXCEPT FOR UNITED STATES POSSESSIONS AND/OR DOMINIONS OF THE UNITED STATES.

This is the entire INTIRION warranty and it may not be changed or amended by any person, agency, distributor, dealer, or company. INTIRION assumes no liability and indeed specifically denies responsibility for any consequential damages beyond the repair or replacement of the product or its components.

The warranty period begins on the date of sale and proof of that date (evidenced by an original sales slip or bill of sale) will be necessary to initiate a warranty claim.

SNACKMATE BY MICROFRIDGE[®], A PRODUCT OF INTIRION[™] CORPORATION
 2 Annette Rd Ste 3, Foxborough, MA 02035 1-800-637-7567 U.S. Customers
 PO Box 1778, Guelph, Ontario, Canada N1H 6Z9 1-800-263-2629 Canada Customers

**For your protection in the event of theft or loss of this product,
 Please fill in the information below:**

Model No. _____
 (Located on rear and inner right wall)

Serial No. _____
 (Located on rear and inner right wall)

Date of Purchase _____

INTIRION CORP.
 2 Annette Road, Suite 3
 Foxborough, MA 02035
 1-800-637-7567

4/14 Printed in China

Les tout réfrigérateurs

Ce réfrigérateur est réservé à l'usage domestique uniquement et il est conçu pour la conservation d'aliments frais à des températures supérieures à 0° C / 32°F.

CONSERVEZ CES INSTRUCTIONS

Avant la mise en marche	13	Entretien et nettoyage	18
Instructions d'utilisation		Dégivrage automatique du réfrigérateur	
Conseils d'économie d'énergie		Nettoyer l'appareil	
Important	13	Couper l'alimentation de l'appareil lorsqu'il n'est pas utilisé	
Placement et installation	14	Changer le sens d'ouverture de la porte	19
Choix de l'emplacement approprié		Guide de dépannage	20
Placer l'appareil autoporteur		Changer l'ampoule	21
Branchement à l'alimentation électrique		Garantie	22
Support du réfrigérateur et installation du micro-ondes	15		
Description de l'appareil	16		
Contrôle du fonctionnement	17		
Sélection de la température			

Avant la mise en marche

- Avant de brancher l'appareil à l'alimentation électrique, laissez-le reposer pendant environ 2 heures, ce qui réduira la possibilité que le système de refroidissement présente des dysfonctionnements en raison de la manutention au cours du transport.
- Nettoyez bien l'appareil, surtout à l'intérieur (voir la section relative au nettoyage et à l'entretien).
- Si les accessoires intérieurs ne sont pas bien placés, remettez-les en ordre selon les instructions figurant dans le chapitre intitulé « Description de l'appareil ».

Instructions d'utilisation

Ces instructions d'utilisation sont destinées à l'utilisateur. Il décrit l'appareil et les procédures permettant de l'utiliser de manière sécuritaire.

CONSERVEZ CES INSTRUCTIONS

Conseils d'économie d'énergie

- Essayez de ne pas ouvrir la porte trop fréquemment, surtout lorsque les conditions météorologiques sont chaudes et humides. Une fois la porte ouverte, fermez-la dès que possible. Cela est particulièrement important si votre modèle est de type armoire.
- Vérifiez de temps en temps si l'appareil est suffisamment ventilé (si l'air circule bien derrière l'appareil).
- Réglez le thermostat dès que possible pour que les paramètres passent d'une valeur élevée à moins élevée (en fonction du degré de remplissage de l'appareil, de la température de la pièce, etc.)
- Avant de mettre au réfrigérateur des emballages contenant des aliments frais, assurez-vous qu'ils sont refroidis à la température de la pièce. (À l'exception des soupes).
- La présence de couches de glace et de givre augmente la consommation d'énergie; nettoyez l'appareil dès que l'épaisseur de la couche de givre atteint 0,3 à 0,6 cm (1/8 à 1/4 po).
- Lorsque le joint d'étanchéité est endommagé ou que la porte ne ferme pas hermétiquement, la consommation d'énergie est considérablement plus élevée. Afin de rétablir l'efficacité, remplacez le joint d'étanchéité.
- Il convient de toujours prendre en compte les directives figurant dans les sections relatives à la mise en place et aux conseils en matière d'économie d'énergie, sans quoi la consommation d'énergie sera considérablement plus élevée.

Important

Veillez lire attentivement les consignes de sécurité et les instructions d'utilisation avant l'utilisation initiale de ce produit.

AVERTISSEMENT IMPORTANT!

Un réfrigérateur vide peut représenter un attrait dangereux aux enfants. Retirer le joint d'étanchéité, les loquets, les couvercles ou portes des appareils ménagers inutilisés, ou prenez d'autres mesures qui assureront que l'appareil ne posera aucun danger.

DANGER: Risque de piéger un enfant. Avant de mettre votre vieux congélateur ou réfrigérateur au rebut:

- Enlever les portes.
- Laisser les tablettes en place afin que les enfants ne puissent pas facilement y entrer.

N'ATTENDEZ PAS! FAITES-LE IMMÉDIATEMENT!

AVERTISSEMENT! DANGER D'EXPLOSION!

Risque d'incendie ou d'explosion causé par la perforation de tuyaux frigorigènes. Ne jamais utiliser un objet pointu pour assister au dégel. Manipuler avec soin. Garder les matériaux et vapeurs inflammables comme de l'essence loin du réfrigérateur. Utiliser un nettoyeur ininflammable.

La mise au rebut de cet item doit être faite selon les lois locales et fédérales.

Important

Veillez lire attentivement les consignes de sécurité et les instructions d'utilisation avant l'utilisation initiale de ce produit.

- L'appareil doit être correctement branché à l'alimentation électrique. (Voir la section relative au branchement à l'alimentation électrique).
- Débranchez toujours l'appareil avant de le nettoyer ou de changer l'ampoule. -AVERTISSEMENT : les réparations ne peuvent être effectuées que par le personnel d'entretien agréé.
- Ne faites pas dégivrer l'appareil à l'aide d'autres appareils électriques (par exemple, un séchoir à cheveux) et n'essayez jamais de gratter ou d'éliminer la glace ou le givre à l'aide d'objets pointus.
- La plaque signalétique sur laquelle figure le numéro de modèle ou de série et d'autres données techniques propres à cet appareil se trouve soit à l'intérieur de celui-ci ou à l'extérieur sur la paroi arrière.
- Le système frigorifique de l'appareil contient un fluide frigorigène et des substances isolantes qui doivent être transformés et traités séparément. Appelez votre réparateur autorisé ou centre de réparations spécialisé le plus proche. Si vous êtes dans l'impossibilité d'en trouver un, contactez les autorités ou le distributeur de votre localité. Prenez soin de ne pas endommager les tubes situés sur la paroi arrière de l'appareil (risque de pollution).

Veillez vous assurer que les pièces de rechange sont remplacées par des pièces similaires, et que l'entretien soit effectué par un technicien agréé par l'usine, afin de réduire le risque d'incendie à cause de mauvaises pièces ou d'entretien mal fait.

Placement et installation

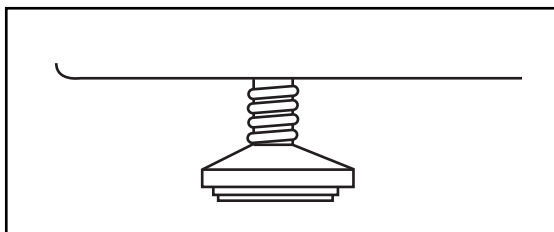
Choix de l'emplacement approprié

Placez l'appareil dans une pièce sèche et régulièrement ventilée. Ne placez jamais l'appareil près d'appareils émettant de la chaleur (p. ex. des appareils de cuisson, des radiateurs, des chauffe-eau ou des appareils similaires) et n'exposez pas l'appareil à la lumière directe du soleil.

L'appareil doit être placé à au moins 3 cm (1.2 po) de tous les appareils électriques ou à gaz et à au moins 30 cm (12 po) des cuisinières fonctionnant au charbon ou au mazout. Si cela n'est pas possible, utilisez une barrière d'isolation appropriée.

Installation

Placez l'appareil de manière à ce qu'il repose de manière ferme sur une base solide. Certains appareils possèdent des pieds réglables à l'avant; utilisez-les pour mettre l'appareil à niveau.



AVERTISSEMENT

Instructions concernant le risque d'incendie, de choc électrique ou de blessures.

Directives relatives à la mise à la terre

Cet appareil doit être mis à la terre. En cas de court-circuit, la mise à la terre réduit les risques de décharge électrique en fournissant un échappatoire au courant électrique. L'appareil est muni d'un cordon électrique comprenant un fil de mise à la terre et une fiche de terre. Branchez la fiche dans une prise de courant correctement installée et mise à la terre.

AVERTISSEMENT - Une fiche de mise à la terre mal branchée peut entraîner un risque d'incendie, de choc électrique ou de blessures aux personnes qui utilisent l'appareil. Consultez un électricien ou un technicien qualifié si vous ne comprenez pas bien les instructions de mise à la terre ou si vous avez un doute quelconque sur la bonne mise à la terre de l'appareil.

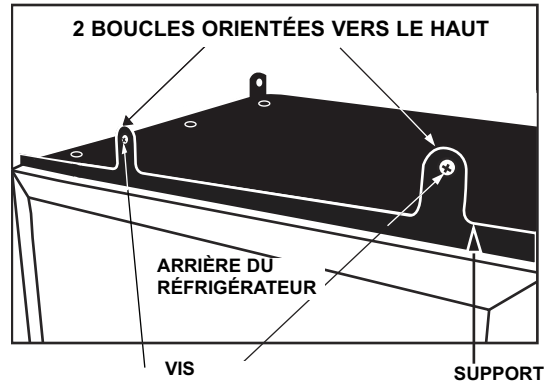
Branchement à l'alimentation électrique

Branchez le cordon d'alimentation de l'appareil à une prise murale mise à la terre de manière appropriée. La tension et la fréquence nominales requises sont indiquées sur la plaque signalétique (à l'intérieur de l'appareil ou sur sa paroi arrière extérieure).

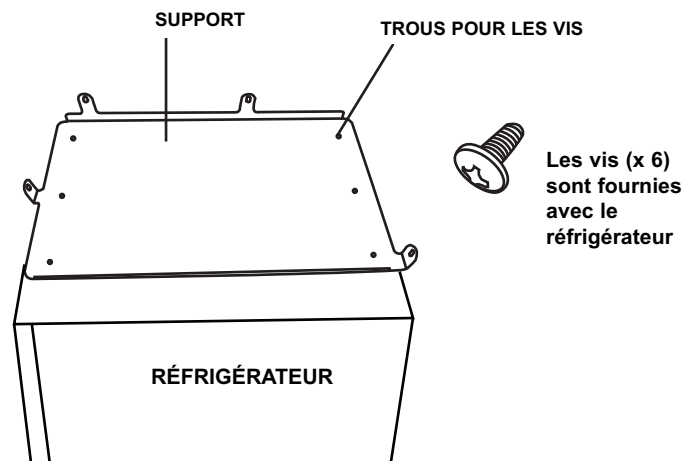
N'UTILISER JAMAIS DE FIL DE RALLONGE - Brancher le réfrigérateur à son propre circuit de 115V. N'utilisez pas de rallonge électrique pour brancher votre réfrigérateur. Ne branchez pas le réfrigérateur à une prise femelle multiple qui sera également utilisée pour d'autres appareils électriques. N'épissez pas le cordon électrique.

SUPPORT DU RÉFRIGÉRATEUR ET INSTALLATION DU MICRO-ONDES

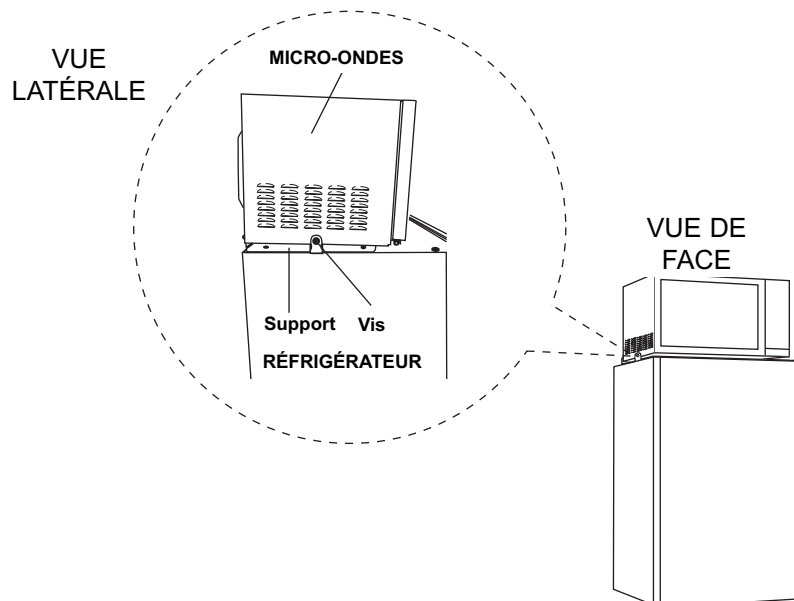
1. Placez le support sur le réfrigérateur avec la lèvre arrière avec deux boucles orientées vers le haut. La lèvre arrière du support doit être alignée avec le rebord arrière du réfrigérateur, avec les deux boucles latérales vers le haut pour accueillir le four à micro-ondes.



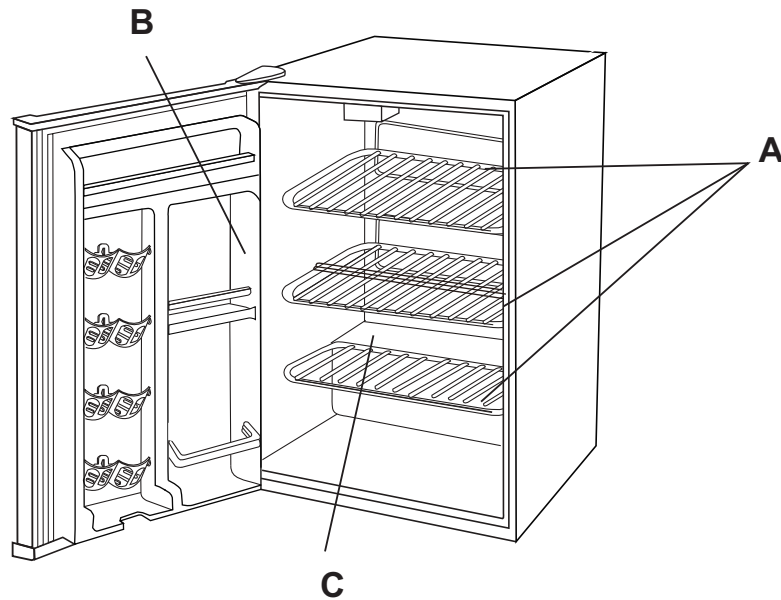
2. Une fois le support aligné tel qu'indiqué ci-dessus, les trous prépercés sur le réfrigérateur doivent être alignés avec les trous du support. Fixez le support sur le réfrigérateur à l'aide des six vis fournies avec le réfrigérateur.



3. Placez le micro-ondes sur le réfrigérateur et dans les deux boucles droites situées sur les côtés et devant les deux boucles droites à l'arrière du support. Alignez les trous de chaque côté et à l'arrière du support et fixez le micro-ondes à l'aide des vis fournies. Les deux vis arrière sont fournies avec le réfrigérateur alors que les deux vis latérales sont déjà sur le micro-ondes. Veuillez retirer les deux vis du micro-ondes avant de le placer sur le réfrigérateur.



Description de l'appareil



3.3SM4R

(A) Clayettes recouvertes de plastique

Résistantes aux odeurs, à l'épreuve de la rouille et amovibles pour faciliter le nettoyage.

(B) Contre-porte

La contre-porte comporte des supports pour les bouteilles, les cannettes ou les bocaux, qu'ils soient petits, moyens ou grands. La partie Canstor de la contre-porte peut contenir cannettes de soda, de jus de fruit ou de bière de 355 ml.

(C) Orifice d'évacuation de l'eau de dégivrage

L'intérieur du réfrigérateur est refroidi à l'aide d'une plaque de refroidissement montée sur la paroi arrière. Un conduit et un orifice d'évacuation de l'eau de dégivrage sont logés sous cette plaque. Vérifiez régulièrement que l'orifice d'évacuation de l'eau de dégivrage et le conduit d'égouttement ne sont pas bloqués. Ils doivent constamment être propres et exempts de tout débris d'aliments. Si l'orifice d'égouttement s'obstrue, utilisez une paille en plastique pour la nettoyer.

Éclairage de l'intérieur du réfrigérateur

La lumière à l'intérieur du réfrigérateur est allumée lorsque la porte est ouverte, elle s'éteint lorsque la porte est refermée.

Contrôle du fonctionnement

La température du réfrigérateur est contrôlée en réglant le bouton du thermostat au niveau désiré.

Sélection de la température

Pour démarrer le réfrigérateur, tournez le bouton de réglage de la température vers la position correspondant au niveau de refroidissement désiré (sur le cadran bleu gradué)

Schéma A

La température du réfrigérateur variera en fonction de la quantité d'aliments entreposés et de la fréquence à laquelle la porte est ouverte.

Pour mettre le bouton en position « ARRÊT » (OFF), tournez le bouton de réglage jusqu'à la position « 0 ° ». Si le réfrigérateur n'a pas été utilisé pendant un certain temps, réglez le bouton de réglage sur la position « maximum » pendant 2 à 3 heures avant de le régler à la position désirée. Si le réfrigérateur n'est pas utilisé pendant de longues périodes, débranchez-le de la prise et laissez la porte entrouverte. Cela contribuera à réduire l'accumulation de moisissures à l'intérieur du réfrigérateur.

- Les changements de température de la pièce influent sur la température interne du réfrigérateur (réglez le bouton du thermostat au niveau approprié).
- L'appareil ne fonctionne pas lorsqu'il est réglé sur la position « ARRÊT (0) » (STOP (0)) (le système de refroidissement est mis hors tension), mais l'alimentation n'est pas interrompue (la lumière s'allume lorsque vous ouvrez la porte du réfrigérateur).
- La température interne du réfrigérateur dépend également de la fréquence à laquelle la porte est ouverte.

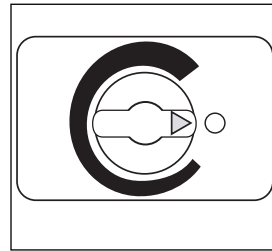


Schéma A

Entretien et nettoyage

Dégivrage automatique du réfrigérateur

Nul besoin de dégivrer le réfrigérateur car les dépôts de glace se forment sur la paroi arrière intérieure sont dégivrés de manière automatique.

L'accumulation de glace sur la paroi arrière intérieure occasionnée par le fonctionnement du compresseur sera automatiquement éliminée par le dégivrage (lorsque le compresseur aura terminé son cycle). L'eau de dégivrage s'accumule dans la gouttière d'évaporateur, passant de l'orifice d'égouttement situé dans la paroi arrière intérieure au plateau de dégivrage situé au-dessus du compresseur, où elle s'évapore.

Nettoyage de l'appareil

Débranchez la barre d'alimentation avant de nettoyer l'appareil.

N'utilisez pas de produit de nettoyage grossier ou agressif, car vous pourriez endommager la surface.

Nettoyez l'extérieur avec de l'eau et du détergent.

Retirez les accessoires amovibles de l'intérieur de l'appareil et nettoyez avec de l'eau et du détergent liquide. Les pièces en plastique ne peuvent pas être lavées dans un lave-vaisselle.

Nettoyez l'intérieur de l'appareil avec de l'eau tiède en ajoutant une ou deux cuillères de vinaigre. Après avoir nettoyé le réfrigérateur, branchez-le et remplacez les éléments à l'intérieur.

Coupez l'alimentation de l'appareil lorsqu'il n'est pas utilisé

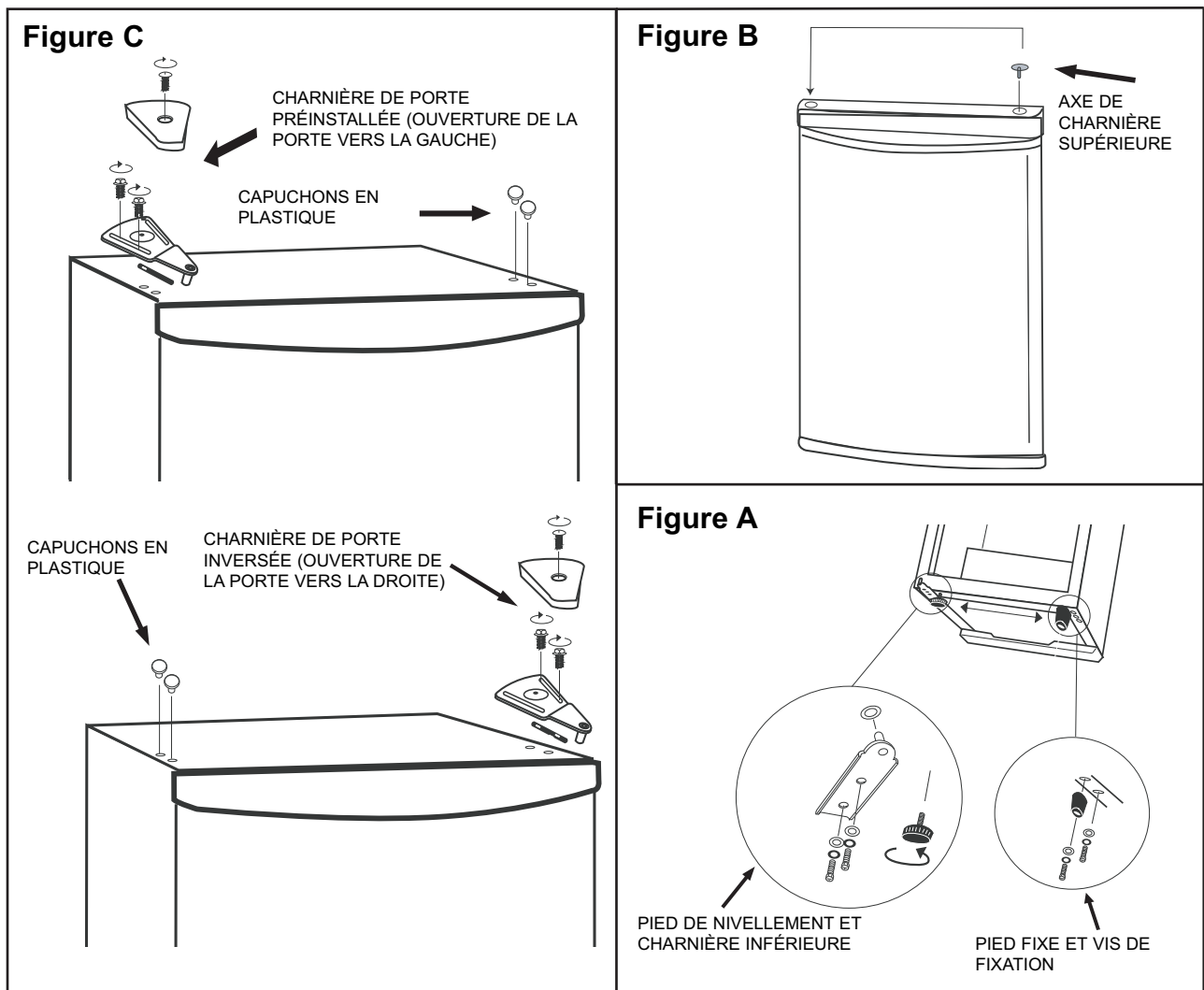
Si vous ne comptez pas utiliser l'appareil pendant de longues périodes (vacances), réglez le thermostat sur STOP (0), débranchez l'appareil, retirez les aliments, dégivrez et nettoyez l'appareil. Laissez la porte entrouverte.

Changer le sens d'ouverture de la porte (rotation)

Votre réfrigérateur a une porte préinstallée s'ouvrant vers la gauche. Afin d'éviter de vous blesser ou de causer des dégâts matériels, nous vous recommandons de solliciter l'aide d'autrui lors des manœuvres liées à l'inversion de la porte.

Outils nécessaires : un tournevis cruciforme n° 2

1. Retirez l'axe de charnière supérieure du côté droit du cadre de la porte et réinstallez-le sur le côté gauche du cadre de la porte (l'ancien emplacement de l'axe) (voir la figure B)
2. Retirez le capuchon en plastique en haut à droite du meuble et réinstallez-le du côté gauche du meuble (l'ancien emplacement de l'axe) (voir la figure C)
3. Retirez la charnière supérieure de la porte du côté gauche du meuble et réinstallez-la du côté droit du meuble (l'ancien emplacement de l'axe) (voir la figure C)
4. Retirez les trois vis restantes en bas à droite du meuble et réinstallez le pied fixe du côté gauche à l'endroit où les vis de l'ancienne charnière se trouvaient, retirez le pied de nivellement et la charnière inférieure (voir la figure A)
5. Une fois la porte fermée, réinstallez la charnière inférieure du côté droit du réfrigérateur. (Voir la figure A)
6. Réinstallez le pied de nivellement. (Voir la figure A)



Guide de dépannage

Vous pouvez parfois rencontrer un problème mineur qui, dans la plupart des cas, ne nécessite pas d'appel de service et qui peut être facilement résolu. Le problème peut avoir été causé par une manipulation ou une installation inappropriée de l'appareil. Veuillez vous référer au guide de dépannage ci-dessous pour vous aider à identifier la cause possible et la solution à votre problème. Une fois que vous avez suivi ces étapes de vérification, si le problème demeure, veuillez communiquer avec le réparateur autorisé le plus proche de chez vous.

L'appareil ne fonctionne pas après avoir été branché.

- Vérifiez que le cordon d'alimentation est bien branché.
- Vérifiez l'alimentation électrique de votre prise. (fusible grillé / disjoncteur)
- Assurez-vous que l'appareil est allumé. (Le thermostat est en position de fonctionnement)

Fonctionnement continu du système de refroidissement

- La porte est ouverte fréquemment ou elle est laissée ouverte trop longtemps.
- La porte n'est pas correctement fermée (la porte peut être déformée, le joint peut être endommagé).
- Vous avez peut-être mis trop d'aliments frais dans l'appareil.
- Le problème peut découler d'une mauvaise ventilation du compresseur (assure la circulation adéquate de l'air).

De la glace se forme sur la paroi arrière intérieure

Tant que l'eau de dégivrage circule dans le conduit et de l'orifice d'évacuation au bac récepteur du compresseur, le dégivrage automatique de l'appareil est assuré.

Si la formation de glace sur la paroi arrière intérieure augmente (de 0,3 à 0,6 cm ou de 1/8 à 1/4 po), la glace doit être ôtée manuellement.

Réglez le thermostat sur **STOP (0)** et laissez la porte ouverte. N'utilisez jamais d'appareil électrique pour le dégivrage et ne grattez pas la glace ou le givre à l'aide d'objets pointus.

Une fois le dégivrage terminé, réglez le thermostat sur la position souhaitée et fermez la porte du réfrigérateur. La glace peut s'accumuler pour les raisons suivantes : la porte ne se ferme pas correctement (nettoyez le joint s'il est sale ou remplacez-le s'il est endommagé);

- la porte est ouverte fréquemment ou elle est laissée ouverte trop longtemps;
- la nourriture entreposée dans le réfrigérateur était chaude;
- les aliments ou le plat touchent la paroi arrière intérieure.

De l'eau s'échappe du réfrigérateur.

Si l'orifice d'évacuation de l'eau est obstrué ou si l'eau de dégivrage dégoutte du conduit, de l'eau s'échappera du réfrigérateur.

- Nettoyez l'orifice d'évacuation de l'eau obstrué à l'aide, par exemple, d'une paille en plastique.
- Dégivrez à la main la couche de glace qui s'épaissit. Voir « De la glace se forme sur la paroi arrière intérieure »

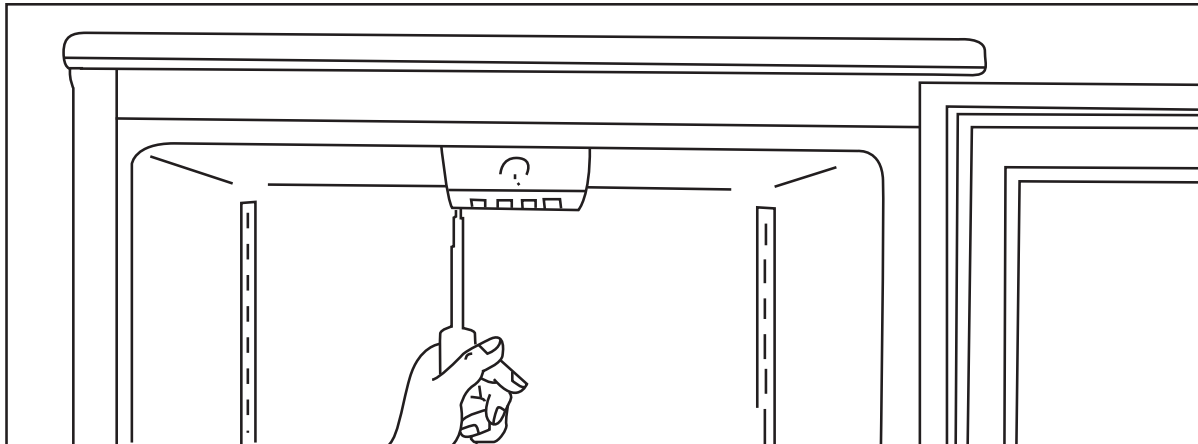
Bruit

Le froid dans un appareil réfrigérateur/congélateur est obtenu en refroidissant le système à l'aide d'un compresseur, ce qui produira un certain niveau de bruit. Le niveau sonore de l'appareil dépend de l'endroit où il est placé.

- **Pendant le fonctionnement** du compresseur, le liquide peut faire du bruit et lorsque le compresseur ne fonctionne pas, le flux frigorigène peut être entendu. Cela est normal et n'a aucune incidence sur la durée de vie de l'appareil.
- **Après avoir démarré l'appareil**, le bruit de fonctionnement du compresseur et du flux frigorigène peut être plus élevé, ce qui ne signifie pas qu'il y a un problème avec l'appareil et cela n'a aucune incidence sur la durée de vie de l'appareil. Le bruit diminue de façon graduelle.
- Parfois, **vous pouvez entendre** un bruit plus fort ou inhabituel, ce qui est plutôt inhabituel pour cet appareil. Ce bruit résulte souvent d'une installation inadéquate.
- L'appareil doit être droit et installé sur un sol ferme et solide.
- Il ne doit pas toucher le mur ou les éléments de la cuisine qui l'entourent.
- Vérifiez les accessoires à l'intérieur du réfrigérateur, ils peuvent être mal placés; vérifiez également que les bouteilles, les cannettes et les autres récipients ne sont pas en contact, causant des cliquetis ou des vibrations.

Changer l'ampoule

Avant de changer l'ampoule, débranchez l'appareil de l'alimentation électrique. À l'aide d'un tournevis cruciforme, retirez la vis qui se trouve sur le côté gauche du protège-lampe, en son centre. Tirez le protège-lampe vers le bas. L'ampoule de rechange doit être de la même puissance que l'ampoule d'origine.(15 watts uniquement)



snackmate de MicroFridge^{MD}, un produit d'INTIRIONTM Corporation
Garantie limitée du four à micro-ondes et du réfrigérateur/congélateur pour usage résidentiel

INTIRION, une division de Danby Limited, a le plaisir de fournir une garantie exhaustive sur ces produits. INTIRION est fière de ses produits et de ses normes de fabrication, et garantit que ses produits et ses pièces sont exempts de défauts de fabrication ou de main-d'œuvre pour le premier acheteur.

<u>Sous-assemblage</u>	<u>Durée</u>
- Four à micro-ondes et éléments de réfrigérateur/de congélateur	1 an

Toutes les demandes d'entretien ou de réparation doivent être adressées au service à la clientèle d'INTIRION, en composant le 1-800-637-7567 si vous êtes situé aux États-Unis et le 1-800-263-2629 si vous êtes situé au Canada. INTIRION offre un programme de service à la clientèle ayant une réponse rapide. Le service à la clientèle diagnostiquera le problème et soit remplacera ou réparera l'appareil dans les délais les plus brefs, à la discrétion d'INTIRION.

Les services au titre de la garantie des appareils snackmate de MicroFridge^{MD} sont assurés par les fournisseurs de services **autorisés d'INTIRION**. INTIRION s'attend à un service rapide, courtois et efficace. INTIRION prévoit que tous les **fournisseurs de services autorisés** feront de leur mieux pour rehausser l'image et la réputation d'INTIRION et de ses produits. Un service inadéquat ou l'insatisfaction d'un client doit être signalé à INTIRION dans les plus brefs délais.

Les dommages générés par des feux allumés par des étincelles, causés par l'utilisation d'un matériau inapproprié dans le four à micro-ondes, sont spécifiquement exclus de cette garantie. INTIRION n'assume aucune responsabilité et ne garantit aucune réparation qui n'est pas effectuée ou pièce de rechange qui n'est pas fournie par un **fournisseur de services autorisé** ni une conversion de cycle 50/60 ou 60/50, des dommages causés par un manquement à respecter les consignes du mode d'emploi en ce qui concerne les réglages ou l'entretien, les réglages effectués par le client qui ne sont pas couverts dans le mode d'emploi, une carrosserie brisée ou abîmée, un mauvais usage, la négligence, un accident, un incendie, une inondation ou d'autres actes naturels.

LA PRÉSENTE GARANTIE DEVIENDRA INVALIDE SI UN NUMÉRO DE SÉRIE FIGURANT SUR LE PRODUIT EST MODIFIÉ, REMPLACÉ, OBLITÉRÉ OU MANQUANT. LA PRÉSENTE GARANTIE S'APPLIQUE UNIQUEMENT AUX PRODUITS INTIRION ACHETÉS ET UTILISÉS AUX ÉTATS-UNIS ET AU CANADA, SAUF DANS LE CAS DES POSSESSIONS OU DES DOMINIONS DES ÉTATS-UNIS.

La présente garantie constitue la garantie complète d'INTIRION. Elle ne peut pas être changée ou modifiée par une personne, une agence, un distributeur, un détaillant ou une entreprise quelconque. INTIRION n'assume aucune responsabilité et, en fait, dénie expressément toute responsabilité pour des dommages consécutifs dépassant la réparation ou le remplacement du produit ou de ses composants.

La période de garantie commence à la date de la vente et une preuve de cette date, attestée par l'original d'une facture ou d'un reçu de vente, sera nécessaire pour présenter une réclamation au titre de la garantie.

SNACKMATE DE MICROFRIDGE^{MD}, UN PRODUIT D'INTIRIONTM CORPORATION

2 Annette Rd Ste 3, Foxborough, MA 02035 1-800-637-7567 aux États-Unis
 PO Box 1778, Guelph, Ontario, Canada N1H 6Z9 1-800-263-2629 au Canada

Pour votre protection en cas de vol ou de perte de l'appareil, remplissez les informations dans les espaces prévus à cet effet ci-dessous.

N° de modèle _____
 (Localisé sur l'arrière et le mur juste intérieur)

N° DE SÉRIE _____
 (Localisé sur l'arrière et le mur juste intérieur)

Date d'achat _____

INTIRION CORP.
 2 Annette Road, Suite 3
 Foxborough, MA 02035
 1-800-637-7567

4/14 Imprimé en Chine



INTIRION™ CORP.
2 Annette Road, Suite 3
Foxborough, MA 02035
1-800-637-7567

4/14 Printed in China
4/14 Imprimé en Chine