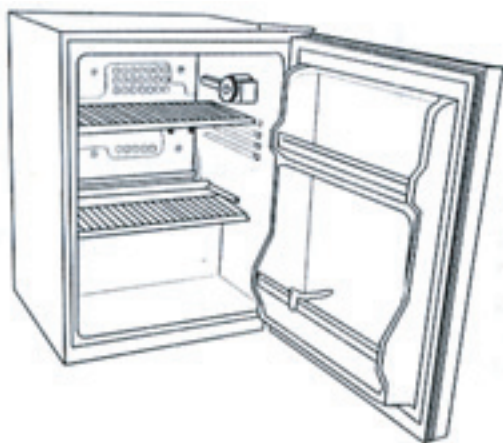


# **MICRO FRIDGE®**



## **Compact Refrigerator**



***User Manual-***

***Model #***

***MHR-2.7E***



# SAFETY PRECAUTIONS

**Read all of the instructions before using this appliance. When using this appliance, always exercise basic safety precautions, including the following:**

- 1) Use this appliance only for its intended purpose as described in this use and care guide.
- 2) This refrigerator must be properly installed in accordance with the installation instructions before it is used. See grounding instructions in the installation section.
- 3) Never unplug your refrigerator by pulling on the power cord. Always grasp the plug firmly and pull straight out from the outlet.
- 4) Repair or replace immediately, all electric service cords that have become frayed or otherwise damaged. Do not use a cord that shows cracks or abrasion damage along its length, the plug or the connector end.
- 5) Unplug your refrigerator before cleaning or before making any repairs.  
**Note:** *If for any reason this product requires service, we strongly recommend that a certified technician performs the service.*
- 6) If your old refrigerator is not being used, we recommend that you remove the doors and leave the shelves in place. This will reduce the possibility of danger to children.
- 7) This refrigerator should not be recessed or built-in an enclosed cabinet. It is designed for freestanding installation only.
- 8) Do not operate your refrigerator in the presence of explosive fumes.

## SAVE THESE INSTRUCTIONS

**For Future Use**

# DANGER

**Risk of child entrapment. Before you throw away your old refrigerator or freezer, take off the doors. Leave the shelves in place so that children may not easily climb inside.  
As per UL 250 Standards**

Thank you for using our MicroFridge® product. This easy-to-use manual will guide you in getting the best use of your refrigerator.

Remember to record the model and serial number. They are on a label on the inside right liner of the refrigerator.

---

*Model number*

---

*Serial number*

---

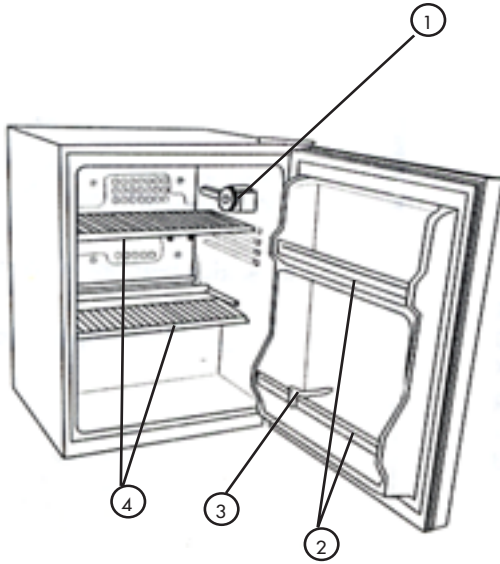
*Date of purchase*

Staple your receipt to your manual. **You will need it to obtain warranty service.**

# Table Of Contents

	PAGE
<b>Safety Precautions</b> .....	<b>1</b>
<b>Parts And Features</b> .....	<b>4</b>
<b>Installing Your Refrigerator</b> .....	<b>5</b>
Unpacking Your Refrigerator .....	<b>5</b>
Leveling Your Refrigerator .....	<b>5</b>
Assembly Instructions .....	<b>5</b>
Proper Air Circulation .....	<b>6</b>
Electrical Requirements.....	<b>7</b>
Use of Extension Cords .....	<b>7</b>
Install Limitations .....	<b>7</b>
Door Alignment.....	<b>7</b>
Reversing the Door Hinge.....	<b>8-9</b>
<b>Refrigerator Features And Use</b> .....	<b>10</b>
General Features.....	<b>10</b>
Refrigerator Interior Shelves .....	<b>10</b>
Adjusting Bottle Hugger .....	<b>10</b>
Food Storage Information .....	<b>11</b>
Normal Operating Sounds.....	<b>11</b>
<b>Proper Refrigerator Care and Cleaning</b> .....	<b>12</b>
Cleaning and Maintenance .....	<b>12</b>
Power Interruptions .....	<b>12</b>
Vacation and Moving Care .....	<b>12</b>
<b>Troubleshooting</b> .....	<b>13</b>
<b>Warranty Information</b> .....	<b>14</b>

# Parts And Features



1. Adjustable Temperature Control

2. 2 Fixed Door Shelves

3. Door Hugger

4. 2 Refrigerator Shelves

# Installing Your Refrigerator

## Unpacking Your Refrigerator

1. Remove all packaging material. This includes the foam base and all adhesive tape holding the refrigerator accessories inside and outside. Slide out and remove plastic or foam guard used to secure the compressor from shipping damage due to vibration and shock.
2. Inspect and remove any remains of packing, tape or printed materials before powering on the refrigerator.

## Leveling Your Refrigerator

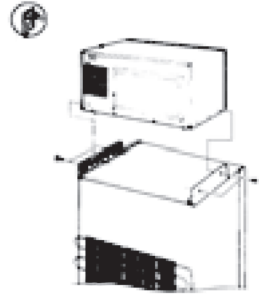
- Your refrigerator has two leveling legs which are located in the front corners of your refrigerator. After properly placing your refrigerator in its final position, you can level your refrigerator.
- Leveling legs can be adjusted by turning them clockwise to raise your refrigerator or by turning them counterclockwise to lower your refrigerator. The refrigerator door will close easier when the leveling legs are extended.

## Assembly Instructions-Installation of Microwave Models

Remove all packaging material and accessories. Examine the oven for any damage, such as dents or broken door. Do not install if oven is damaged.

1. Place the oven on top of the approved MicroFridge® refrigerator carefully lining up screw holes of the refrigerator sash with microwave side holes.
  - Do not block the inlet and outlet openings located at the rear and bottom of the oven.
  - Do not remove the feet from the bottom of the oven.
  - Blocking the inlet and/or outlet openings can damage the oven.
2. Attach the microwave oven to the refrigerator by screwing in the 4 front side and 1 rear screws.
  - Six screws can be found in the attached bag.

3. Plug your oven and refrigerator into a standard 120-volt/60Hz household outlet. Be sure the electrical circuit is at least 15 amperes and that your microwave oven is the only appliance on the circuit.



**NOTE:** If your oven does not operate properly, unplug it from the 120 volt household outlet and then plug it back in. This unit is not designed for 50Hz or any circuit other than 120 volt/60 Hz AC current.

## Proper Air Circulation

- To assure your refrigerator works at the maximum efficiency it was designed for, you should install it in a location where there is proper air circulation, plumbing and electrical connections.
- The following are recommended clearances around the refrigerator:  
Sides.....3/4 "(19mm)  
Top.....2" (50mm)  
Back.....4" (50mm)

## Electrical Requirement

- Make sure there is a suitable power outlet (115 volts, 15 amps outlet) with proper grounding to power the refrigerator.
- Avoid the use of three plug adapters or cutting off the third grounding in order to accommodate a two plug outlet. This is a dangerous practice since it provides no effective grounding for the refrigerator and may result in shock hazard.

## Use of Extension Cords

- Avoid the use of an extension cord because of potential safety hazards under certain conditions. If it is necessary to use an extension cord, use only a 3-wire extension cord that has a 3-prong grounding plug and a 3 slot outlet that will accept the plug. The marked rating of the extension cord must be equal to or greater than the electrical rating of the appliance.

## Install Limitations

- Do not install your refrigerator in any location not properly insulated or heated e.g. garage etc. Your refrigerator was not designed to operate in temperature settings below 55° Fahrenheit.
- Select a suitable location for the refrigerator on a hard even surface away from direct sunlight or heat source e.g. radiators, baseboard heaters, cooking appliances etc.

## Door Alignment (see fig. # 1)

1. Remove the top hinge cover.
2. Loosen the top hinge screws using a phillips head screwdriver.
3. Adjust the door or put a spacer in between and then tighten the screws.
4. Replace the top hinge cover.

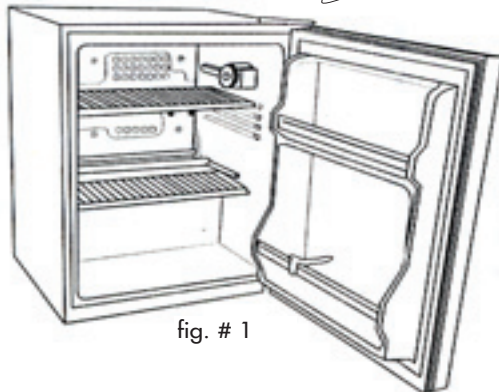
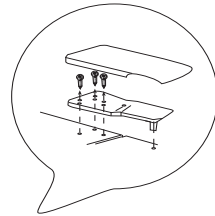


fig. # 1



## Reversing the Door Hinge

1. Remove the top hinge cover. (see fig. # 1)
2. Using a Phillips Head Screwdriver, loosen and remove the screws holding the top hinge in place. (see fig. # 1)
3. Remove the top hinge and carefully lift off the door.
4. Remove the screw hole plug from the opposite side and insert the plug in the screw hole openings of the just removed screws. (see fig. # 2)
5. Remove the door pin from the bracket of the lower hinge by turning counter clockwise. Move the pin to the opposite hole and tighten. (see fig. # 3)
6. Loosen the screws holding the lower hinge bracket and remove the hinge. (see fig. # 3)
7. Align the holes in the lower hinge bracket to the corresponding holes in the opposite side of the cabinet. Insert and tighten the screws. (see fig. # 3)
8. Align the bottom hole on the left side of the door with the pin of the lower hinge and slide into place.

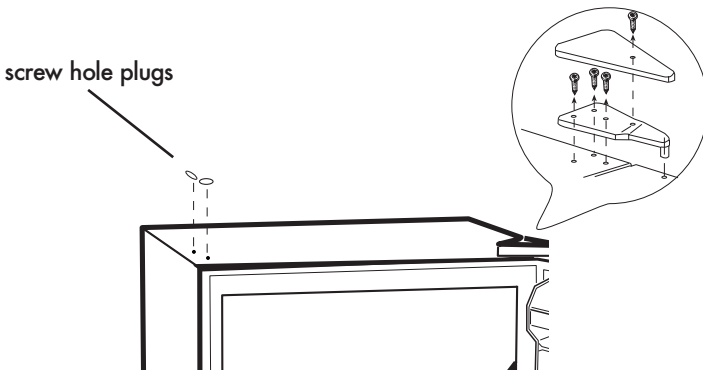
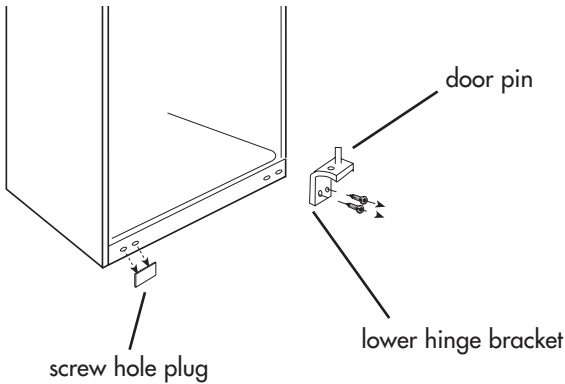


fig. # 2

9. Align the pin of the top hinge with top hole on the left side of the door and push into place. Replace the screws in the upper hinge bracket but do not tighten all the way. (see fig. # 2)
10. Make sure the door closes easily but forms a tight seal. Adjust the door as needed. Once you are satisfied with the door alignment, completely tighten the upper door hinge screws.
11. Replace the hinge cover. (see fig. # 2)
12. If the door does not close properly, refer to the section titled "Door Alignment".



**Note:** As the door gasket gets pressed-in during shipping, after reversing the door the gasket may have to be reset. This is done to prevent the cool refrigerated air from escaping. If there is a gap between the door gasket and the cabinet, set the gasket by gently pulling it out to seal the gap.

# Refrigerator Features And Use

## General Features

### Adjustable temperature dial:

Your refrigerator will automatically maintain the temperature level you select. The temperature control dial has 7 settings plus off. 1 is the warmest. 7 is the coldest. Turning the dial to OFF stops cooling in both the refrigerator and ice compartment sections. At first, set the dial to 4 and allow 24 hours to pass before adjusting the temperature to your needs.

**(Note: If the refrigerator has been placed in a horizontal or tilted position for any period of time wait 24 hours before plugging the unit in.)**

## Refrigerator Interior Shelves

### To remove or replace a full-width slide-out shelf: (see fig. # 4)

1. Gently tilt the shelf up and slide forward until the shelf has been completely removed.
2. To replace the shelf, gently slide the shelf back.

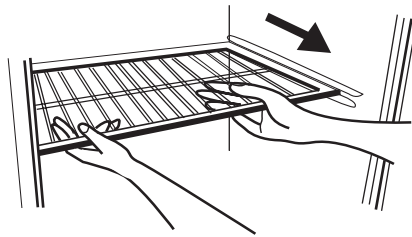


fig. # 4

### Adjusting Bottle Hugger (see fig # 5)

1. Grasp the hugger firmly and slide right or left until it is snug against the items stored on the shelf.

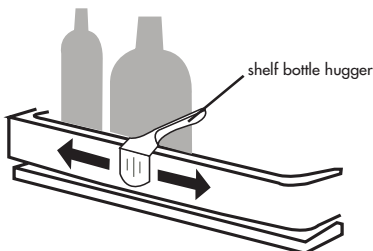


fig. # 5

## **Food Storage Information**

### **Fresh Food**

- When storing fresh food, which is not prepackaged, be sure to wrap or store food in airtight and moisture proof material unless otherwise noted. This will ensure proper shelf life and prevent the transfer of odors and tastes.
- Wipe containers before storing to avoid needless spills.
- Eggs should be stored in an upright position in their original carton to maximize shelf life.
- Fruit should be washed and dried then stored in sealed plastic bags before storing in the refrigerator.
- Vegetables with skins should be stored in plastic bags or containers.
- Leafy vegetables should be washed and drained and then stored in plastic bags or containers.
- Hot food should be allowed to cool before storing in the refrigeration. This will prevent unnecessary energy use.
- Fresh seafood should be used the same day as purchased.
- When storing meats in the fresh food section, keep in the original packaging or rewrap as necessary. Follow the suggestions below for safe storage:
  - Chicken 1-2 Days
  - Ground Beef 1-2 Days
  - Cold Cuts 3-5 Days
  - Steaks/Roasts 3-5 Days
  - Smoked/Cured Meats 7-10 Days
  - All others 1-2 Days

## **Normal Operating Sounds You May Hear**

- Boiling water, gurgling sounds or slight vibrations that are the result of the refrigerant circulating through the cooling coils.
- The thermostat control will click when it cycles on and off.

# Proper Refrigerator Care and Cleaning

## Cleaning and Maintenance

**Warning:** To avoid electric shock always unplug your refrigerator before cleaning. Ignoring this warning may result in death or injury.

**Caution:** Before using cleaning products, always read and follow manufacturer's instructions and warnings to avoid personal injury or product damage.

**General:**

- Prepare a cleaning solution of 3-4 tablespoons of baking soda mixed with warm water. Use sponge or soft cloth, dampened with the cleaning solution, to wipe down your refrigerator.
- Rinse with clean warm water and dry with a soft cloth.
- Do not use harsh chemicals, abrasives, ammonia, chlorine bleach, concentrated detergents, solvents or metal scouring pads. SOME of these chemicals may dissolve, damage and/or discolor your refrigerator.

**Door Gaskets:**

- Clean door gaskets every three months according to general instructions. Gaskets must be kept clean and pliable to assure a proper seal.
- Petroleum jelly applied lightly on the hinge side of gaskets will keep the gasket pliable and assure a good seal.

## Power Interruptions

- Occasionally there may be power interruptions due to thunderstorms or other causes. Remove the power cord from AC outlet when a power outage occurs. When power has been restored, replug power cord to AC outlet. If outage is for a prolonged period, inspect and discard spoiled or thawed food in freezer and refrigerator. Clean refrigerator before reusing.

## Vacation and Moving Care

- For long vacations or absences, empty food from refrigerator and freezer, move the temperature DIAL to the OFF position and clean the refrigerator and door gaskets according to "General cleaning" section. Prop doors open, so air can circulate inside. When moving always move the refrigerator vertically. Do not move with the unit lying down. Possible damage to the sealed system could occur.

# Troubleshooting

## **Refrigerator Does Not Operate**

- Check that thermostat control is not in the "OFF" position.
- Check that refrigerator is plugged in.
- Check that there is power at the ac outlet, by checking the circuit breaker.

## **Food temperature appears too warm**

- Frequent door openings.
- Allow time for recently added warm food to reach fresh food or freezer temperature.
- Check gaskets for proper seal.
- Adjust temperature control to colder setting.

## **Food temperature is too cold**

- If temperature control setting is too cold, adjust to a warmer setting and allow several hours for temperature to adjust.

## **Refrigerator runs too frequently**

- This may be normal to maintain constant temperature during high temperature and humid days.
- Doors may have been opened frequently or for an extended period of time.
- Check gasket for proper seal.
- Check to see if doors are completely closed.

## **Moisture build up on interior or exterior of the refrigerator:**

- This is normal during high humidity periods.
- Prolonged or frequent door openings.
- Check door gaskets for proper seal.

## **Refrigerator has an odor:**

- Interior needs cleaning.
- Foods improperly wrapped or sealed are giving off odors.

## **Refrigerator door does not shut properly:**

- Re-align refrigerator door.
- Check for blockages e.g. food containers, crisper cover, shelves, bins etc.

## **MicroFridge®, a Product of INTIRION Corporation Microwave Oven and Refrigerator Residential Limited Warranty**

INTIRION is pleased to provide a comprehensive warranty on these products. INTIRION takes pride in its product and manufacturing standards and warrants its products and parts against defects in materials or workmanship to the original purchaser.

<u>Subassembly</u>	<u>Duration</u>
- Microwave oven magnetron	2 years
- Refrigerator sealed system and compressor	2 years
- Microwave oven and refrigerator mechanical components	1 year

All requests for service should be directed to Customer Service at INTIRION by calling 1-800-637-7567. INTIRION offers a quick response customer service program. Customer service will diagnose the problem and either replace or the original purchaser will carry-in the appliance to an **authorized service provider** for repair, at the discretion of INTIRION.

MicroFridge® warranty services are performed by INTIRION **authorized service providers**. INTIRION expects prompt, courteous and efficient service. INTIRION further expects that all **authorized service providers** will make every reasonable effort to enhance the image and reputation of INTIRION and its products. Inadequate service or customer dissatisfaction should be promptly reported to INTIRION.

Damage initiated by spark fires caused by using inappropriate material inside the microwave oven is specifically excluded from this warranty. INTIRION assumes no liability and does not guarantee or warrant any repairs and/or replacement parts not supplied or performed by an **authorized service provider**, nor any 50/60 cycle or 60/50 cycle conversions, damage caused by failure to follow the owner's manual as to adjustments and/or maintenance, customer adjustments that are not covered in the instruction booklet, broken or marred cabinet, misuse, neglect, accident, fire, flood or other acts of nature.

THIS WARRANTY WILL BECOME INVALID IF ANY SERIAL NUMBER ON THE PRODUCT IS ALTERED, REPLACED, DEFACED OR MISSING. THIS WARRANTY IS FOR INTIRION PRODUCTS PURCHASED AND USED IN THE UNITED STATES EXCEPT FOR UNITED STATES POSSESSIONS AND/OR DOMINIONS OF THE UNITED STATES.

This is the entire INTIRION warranty and it may not be changed or amended by any person, agency, distributor, dealer, or company. INTIRION assumes no liability and indeed specifically denies responsibility for any consequential damages beyond the repair or replacement of the product or its components.

The warranty period begins on the date of sale and proof of that date (evidenced by an original sales slip or bill of sale) will be necessary to initiate a warranty claim.

MICROFRIDGE®, A PRODUCT OF INTIRION CORPORATION, 10 Walpole Park South, Walpole MA 02081  
**1-800-637-7567**

# IMPORTANT

If you have a problem with this product, please contact INTIRION at  
1-800-637-7567

DATED PROOF OF PURCHASE REQUIRED FOR WARRANTY SERVICE

115V, 60 Hz

Made in China

**MICRO  
FRIDGE®**



**10 Walpole Park South  
Walpole, MA 02081**

Printed in China



0060510133