

Danby[®]
Designer

OWNER'S MANUAL

Model • Modèle • Modelo

DAR440BL
DAR440W

CAUTION:

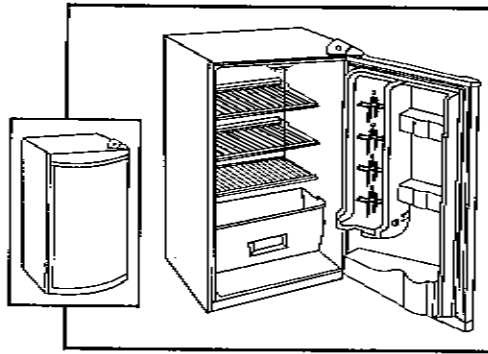
Read and follow all safety rules and operating instructions before first use of this product.

PRÉCAUTION:

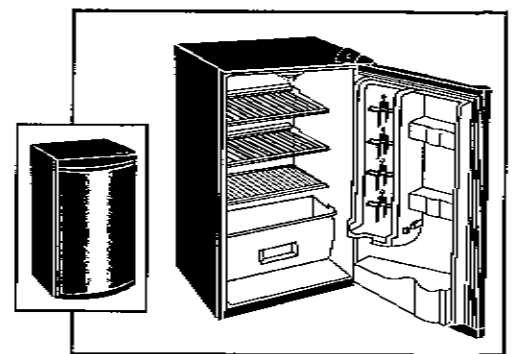
Veuillez lire attentivement les consignes de sécurité et les instructions d'utilisation avant l'utilisation initiale de ce produit.

ADVERTENCIA:

Lea y siga todas las reglas de seguridad e instrucciones de funcionamiento antes de usar este artefacto por primera vez.



DAR440W



DAR440BL

ALL REFRIGERATOR

• Before Putting Into Use	2
• Important	3
• Placing and Installation	4
• Description of the Appliance	5
• Operation Control	6
• Use	7
• Maintenance and Cleaning	8
• Changing the Direction of opening the Door	9
• Trouble Shooting Guide	10
• Bulb Placement	11

TOUT RÉFRIGÉRATEUR

• Avant la première mise en service	16
• Conseils importants	17
• Installation et raccordement	18
• Description de l'appareil	19
• Commande	20
• Utilisation	21
• Entretien et nettoyage	22
• Changement du sens d'ouverture de la porte	23
• En cas de problème	24
• Pour remplacer la lampe	25

TODA REFRIGERADORA

• Antes de comenzar a usarla	30
• Importante	31
• Ubicación e instalación	32
• Descripción del artefacto eléctrico	33
• Controles de operación	34
• Uso	35
• Mantenimiento y limpieza	36
• Cambio de dirección de la apertura de la puerta	37
• Guía de solución de averías	38
• Cambio de la bombilla	39



All Refrigerator

**Thank you for buying a Danby Designer appliance.
We hope it will successfully serve your requirements for many years.**

This Refrigerator is for domestic use only and is intended for storing fresh foods at temperatures higher than 0°/ 32°F.

SAVE THESE INSTRUCTIONS

Before Putting Into Use	2	Use	7
Instructions for Use		Storing Fresh Foods	
We Care for the Environment		Maintenance and Cleaning	8
Tips for Energy Savings		Automatic Defrosting of the Refrigerator	
Important	3	Cleaning of the Appliance	
Disposing of Worn Out Appliances		Switch Off the Appliance When Not In Use	
Placing and Installation	4	Changing the Direction of	
Choosing the Right Place		Opening the Door	9
Placing the Self-standing Appliance		Trouble-Shooting Guide	10
Connection to Power Supply			
Description of the Appliance	5		
Operation Control	6		
Temperature Selection			

Before Putting Into Use

- Before connecting the appliance to electrical power supply, leave it stand for about 2 hours, which will reduce the possibility of malfunctions in the cooling system due to transport handling.
- Clean the appliance thoroughly, especially in the interior (See Cleaning and Maintenance).
- In case the interior accessories are not correctly placed, rearrange them as described in chapter "Description of the Appliance".
- If the gasket is damaged or the door seal is poor, energy consumption is substantially higher. To restore efficiency, replace the gasket.
- Always consider instructions stated in sections Positioning and Energy Saving Tips, otherwise the energy consumption is substantially higher.

Instructions for Use

These instructions for use are intended for the user. They describe the appliance and correct operating procedures for safe use.

SAVE THESE INSTRUCTIONS:

We Care for the Environment

- Our products use environmentally friendly manner. To this end, individual packaging materials are clearly marked.
- These instructions are printed either on recycled paper or chlorine free bleached paper.
- When your appliance finally wears out, please try not to burden the environment with it; call your nearest authorized service agent. (See Disposing of Worn Out Appliance)

Tips for Energy Savings

- Try not to open the door too often, especially when the weather is hot and humid. Once you open the door, close it as soon as possible. This is especially important if you have an upright model.
- Every now and then check if the appliance is sufficiently ventilated (adequate air circulation behind the appliance).
- Set the thermostat from higher to lower settings as soon as possible (depends on how loaded the appliance is, ambient temperatures etc).
- Before loading the appliance with packages of fresh foods, make sure that they are cooled to ambient temperature. (excluding soups)
- Ice and frost layers increase energy consumption, so clean the appliance as soon as the frost layer is 3-5 mm thick.

Important

- If you have bought this appliance to replace an old one equipped with a door lock that cannot be opened from the inside (lock, bolt), make sure that the lock is removed, disabled or destroyed before discarding. This will make it impossible for children to accidentally lock themselves inside the appliance and suffocate.
- The appliance must be properly connected to an electrical power supply. (See: Connection to Power Supply).
- If the food has a strange smell or color, throw it away, because it is very likely that it is spoiled and therefore is dangerous to consume.
- Always disconnect the appliance from the power supply before cleaning the appliance, replacing the light bulb and / or attempting repairs. **WARNING:** repairs should be performed by qualified service personnel only.
- Do not defrost the appliance with other electric appliances (for example a hair dryer) and never attempt to scrape/remove ice/frost with sharp objects. Use only enclosed tools or tools recommended by the manufacturer.
- The refrigerating system of the appliance is filled with refrigerant and oil, so when the appliance is damaged, handle it with care and dispose of it in compliance with environmental protection safeguards. (See: We Care for the Environment).
- The rating plate containing Model No/Serial No and other technical data specific to this unit, is located either inside the appliance or outside on the rear wall.
- The refrigerator system of the appliance is filled with refrigerant and insulating substances which should be separately treated and processed. Call your nearest authorized service agent or specialized servicing center. If you are unable to locate one, contact your local authorities or your distributor. Be careful not to damage the tubes on the rear wall of the appliance (danger of pollution).

IMPORTANT WARNING

An empty refrigerator is a very dangerous attraction to children. Remove either the gasket, latches, lids or doors from unused appliances, or take some other action that will guarantee it harmless.

DANGER: Risk of child entrapment. Before you throw away your old refrigerator or freezer:

- Take off the doors
- Leave the shelves in place so that children may not easily climb inside.

DON'T WAIT DO IT NOW!

Dispose of Worn Out Appliances

- When your appliance finally wears out, dispose of it in a safe and harmless manner. If the appliance is equipped with a door lock that cannot be opened from the inside (lock, bolt), make sure the lock is removed, disabled or destroyed before being discarded. This will make it impossible for children to accidentally lock themselves inside the appliance and suffocate.

Placing and Installation

CHOOSING THE RIGHT PLACE

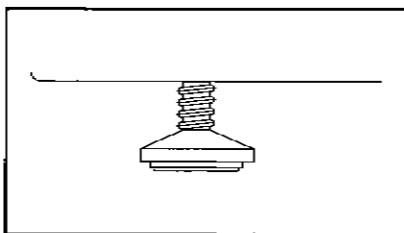
Place the appliance in a dry and regularly ventilated room. Never place the appliance near heat emitting devices (e.g. cooking appliances, radiators, water heaters or similar devices) and do not expose to direct sunlight.

The appliance should be positioned at least 3 cm away from electric or gas cooking appliances and at least 30 cm away from oil or coal fired stoves. If this is not possible, use an appropriate insulation barrier.

Behind the appliance there should be a free space at least 200 cm² wide and above the appliance kitchen units (cupboards) should be at least 5 cm away from the appliance in order to assure adequate ventilation.

INSTALLATION

Place the appliance firmly on a solid base. Some appliances have adjustable feet on the front side; use them to level the appliance.



WARNING

Instructions pertaining to the risk of fire, electric shock, or injury to persons.

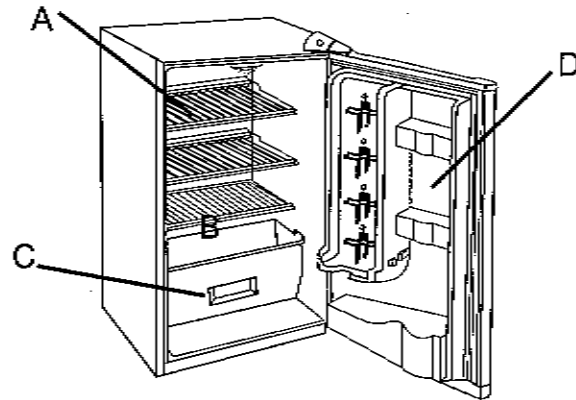
GROUNDING INSTRUCTIONS

For your personal safety, this appliance must be grounded. In the event of a malfunction or breakdown, grounding will reduce the risk of electric shock by providing a path of least resistance for electric current. This appliance is equipped with a power cord having an equipment grounding conductor and grounding plug. The plug must be plugged into an appropriate wall outlet that is installed and grounded in accordance with all existing local codes and ordinances. Consult a qualified electrician or serviceman if the grounding instructions are not clearly understood, or if doubt exists as to whether the appliance is properly grounded.

CONNECTION TO POWER SUPPLY

Connect the appliance power cord and plug to a properly grounded wall outlet. The required nominal voltage and frequency are indicated on the rating plate (inside the unit or on the exterior rear wall of the unit).

Description of the Appliance



DAR440W/BL

(A) Wire Cantilever Shelves

(number and type of shelves depends on the model) Shelf can be optionally placed on the guides inside the appliance. It is protected against being pulled out accidentally. If you want to remove a shelf, slightly lift up the front part and pull it out. Perishable foods should be stored towards the back/rear of the shelves.
(ie: the coldest part of the shelf).

(B) Defrost Water Outlet

The interior of the refrigerator is cooled with a cooling plate mounted in the rear wall. Under the plate there is a channel and an outlet for defrost water.

Regularly check the defrost water outlet and the drain channel for blockage. They should always be kept free and clean of food particles. If the drain outlet does become clogged, use a plastic straw to clean it.

(D) Door Liner

The door liner consists of various shelves or holders used for storing eggs, cheese butter and yogurt as well as other smaller packages, tubes, cans etc.

The lower shelf is used for storing large bottles.

Illumination in the Interior of the Refrigerator

The light for illuminating the interior of the refrigerator is on, when the door is opened, off when the door is closed.

Operation Control

The temperature of the refrigerator is controlled by setting thermostat knob. (ceiling of the cabinet) to a desired setting.

Temperature Selection

To start the refrigerator, turn the temperature control knob to the position corresponding to the desired cooling (on the graduated blue dial)

Fig A

The refrigerator temperature will vary depending on the quantity of the food stored and on the frequency with which the door is opened.

To turn the control to the "OFF" position, rotate the control knob to the "0" position. If the refrigerator has been left out of use for some time, set the control to maximum for 2-3 hours before turning to the desired position. If the refrigerator is not being used for long time periods, disconnect the plug and leave the door

partially open. This will help to reduce mold/mildew from accumulating inside the refrigerator cabinet.

- Changes in ambient room temperature will affect internal refrigerator temperatures (choose correct setting of the thermostat knob).
- In STOP (0) position the appliance does not operate (cooling system is switched off), yet power supply is not interrupted (the light is on , when you open the refrigerator door).
- Temperature in the refrigerator also depends on how often the door is opened.

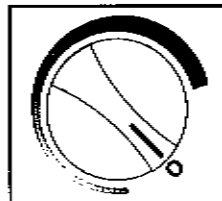


FIG A

Use

Storing Fresh Foods

Proper use of the appliance, adequately packed food, correct temperature and taking into account hygienic precautions will substantially influence the quality of the food stored.

- Foods to be stored in the refrigerator should be properly packed so as to prevent mixing various moisture degrees and odors (in polyethylene bags or sheet, aluminum foil, wax paper, or stored in covered containers or bottles).
- Before storing food in the refrigerator, remove excessive packaging (like yogurt in multi-package).
- Pack systematically and make sure that foodstuffs do not touch each other (various odors may mix). Assure adequate air circulation around packages.
- Never store flammable, volatile or explosive substances.
- Beverages with high alcohol percentage shall be stored in tightly sealed bottles in vertical position.
- Food should not touch the rear wall of the refrigerator
- Foods should be cooled down before storing.
- Crispy and delicate foods should be stored in the coldest parts of the refrigerator.
- Try not to open the door too often.
- Set the thermostat to a setting where lowest temperatures are reached. Set the thermostat gradually so as to avoid freezing of foods. Use a thermometer and measure the temperature in the individual compartments. Place the thermostat in a glass vessel filled with water. Temperature readings are most reliable a few hours after a steady state condition is reached.
- Some organic solutions like volatile oils in lemon and orange peel, acid in butter etc. can cause damage when in contact with plastic surfaces or gaskets for long periods of time.
- Unpleasant odors inside the refrigerator is a sign that something is wrong with foods or that your refrigerator needs cleaning. Unpleasant odors can be eliminated or reduced by washing the interior of the refrigerator with mild solution of water and vinegar. We also recommend using activated carbon filters to clean the air or to neutralize odors.
- If you are planning a long journey, make sure to remove perishable articles of food out of the appliance before you leave.

Maintenance and Cleaning

Automatic Defrosting of the Refrigerator

There is no need to defrost the refrigerator, because ice depositing on the inner back wall is defrosted automatically.

Ice build-up on the inner back wall during the compressor operation; will (when the compressor has cycled off) defrost automatically. Defrost water collects inside the drain through passing through the drain outlet in the inner back wall into a drain pan situated above the compressor, from where it evaporates.

Cleaning the Appliance

Disconnect the power bar before cleaning the appliance.

Do not use coarse or aggressive cleaning agents as you can damage the surface.

Clean the exterior with water and detergent.

Remove the detachable accessories in the interior of the appliance and clean with water and liquid detergent. Plastic parts cannot be washed in dishwashers.

Wash the interior of the appliance with lukewarm water, adding one or two spoonfuls of vinegar.

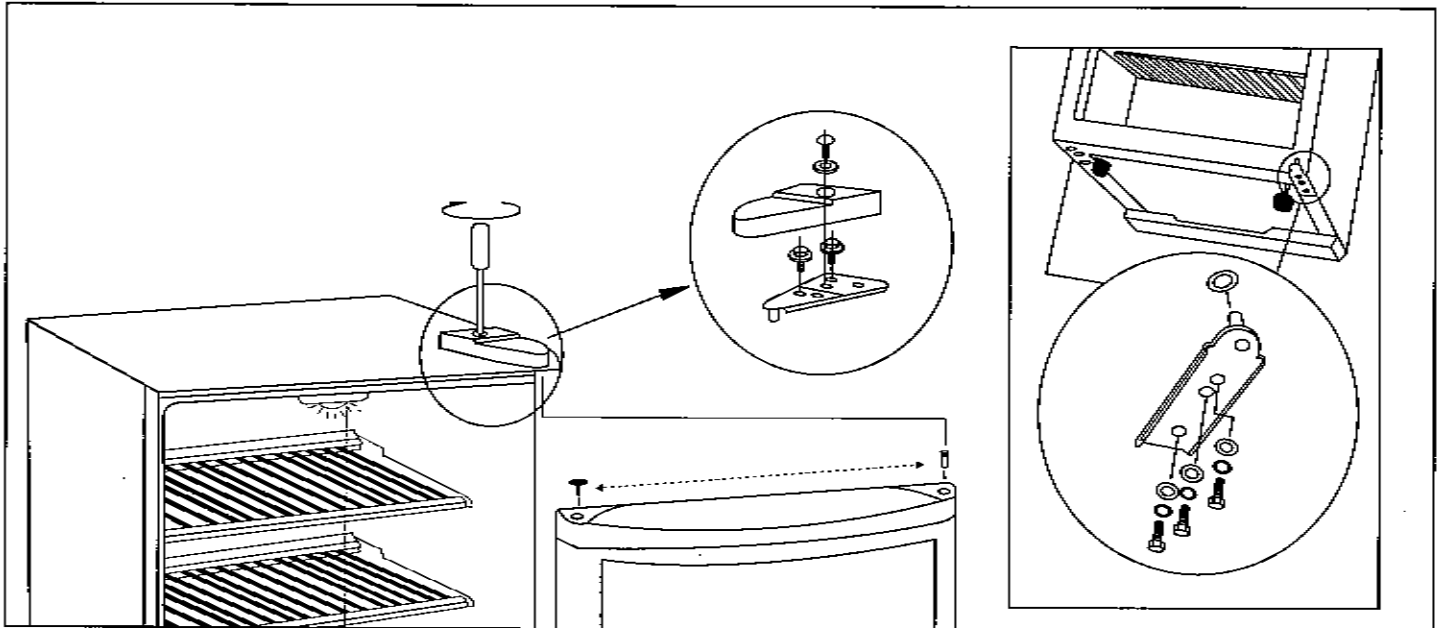
After cleaning, connect the appliance to power supply and reload it.

Switch Off the Appliance When Not In Use

If you do not intend to use the appliance for long periods of time, (vacations) set the thermostat knob to the STOP (0) position, disconnect the power supply, take out the foods and defrost and clean the appliance. Leave the door slightly open.

Changing the Direction of the Door Opening (Swing)

If you find the direction of opening the door on your appliance inconvenient, you can change it. Holes on the opposite side have already been prepared in the factory.



Trouble-Shooting Guide

Sometimes you may come across minor problems that in most cases do not require a service call and can be easily eliminated. The problem may have resulted from improper handling and/or installation of the appliance. Please refer to the below trouble-shooting guide to assist you in identifying the possible cause and solution to your problem. Should the problem still persist after completing these checkpoints. Contact the closest authorized service agent in your area for assistance.

The Appliance Fails to Operate After Connecting to Electrical Power Supply

- Check the power cord is properly connected.
- Check the power supply in the electrical outlet. (blown fuse / circuit breaker)
- Make sure the appliance is switched on. (thermostat knob in operating position)

Continuous Operation of the Cooling System

- The door is frequently opened or left open for too long.
- The door is not properly closed (the door may sag, the gasket may be polluted or damaged).
- Perhaps you may have overloaded the appliance with fresh foods.
- The reason may be inadequate ventilation of the compressor (assure adequate air circulation).

Ice Formation on the Inner Rear Wall

As long as the defrost water runs to the channel and through the outlet to the drain pan on the compressor, automatic defrosting of the appliance is assured.

In case the ice formation on the inner back wall is increased (3-5 mm), ice should be manually defrosted.

Set the thermostat knob to **STOP (0)** position and leave the door open. Never use electric devices for defrosting and do not scrape the ice or frost layer with sharp objects.

After defrosting is complete, turn the knob to desired position and close the refrigerator door. The cause of

increased ice formation may be one of the following: the door does not seal well (clean the gasket if it is contaminated, or replace it if it is damaged);
–the door is frequently opened or left too long;
–the food stored in the refrigerator was warm;
–the food or dish is touching the inner back wall.

Water is Leaking From the Refrigerator

If the discharge water outlet is clogged, or the defrost water drips over the channel, water will leak from the refrigerator.

- Clean the clogged outlet, for example with a plastic straw.
- Manually defrost the increased ice layer. See "Ice Formation on the Inner rear Wall"

Noise

Cooling in a refrigerator-freezing appliance is made possible by cooling the system using a compressor, which will produce certain noise levels. How noisy the appliance is depends on where it is placed, how it is used and how old the appliance is.

- **During the operation** of the compressor the noise of the liquid is heard and when the compressor is not operating, the refrigerant flow is heard. This is a normal condition and it has no influence whatsoever on the lifetime of the appliance.

- **After starting the appliance**, the operation of the compressor and the refrigerant flow may be louder, which does not mean that something is wrong with the appliance and it has no influence on the lifetime of the appliance. Gradually the noise is reduced.

- Sometimes **unusual and louder** noise is heard, which is rather unusual for the appliance. This noise is often a consequence of inadequate installation.

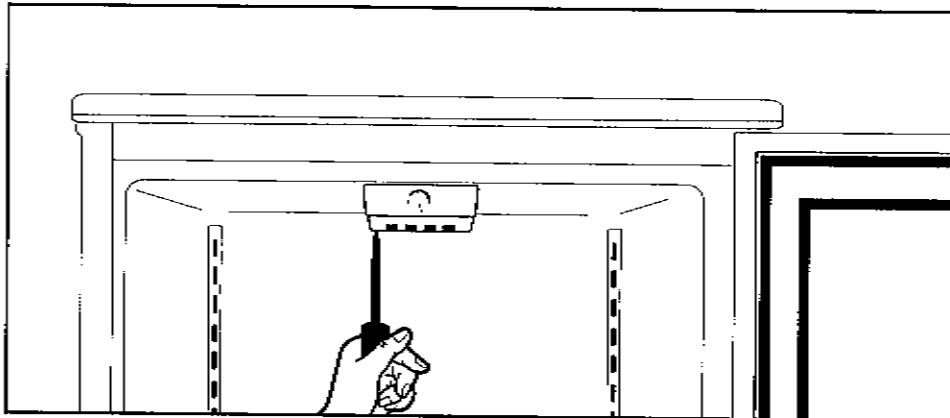
- The appliance must be level and installed on a firm solid base/floor.

- It should not touch the wall or kitchen units standing next to it.

- Check the accessories on the interior of the appliance, they should be placed correctly in their positions; also check, bottles, tins, and other vessels are not touching each other causing rattling and/or vibrations.

Bulb Replacement

Before replacing the light bulb, disconnect the appliance from the power supply. Using a phillips screwdriver, remove the screw located on the center side of the light cover. Pull the light cover straight down. Replacement light bulb must be the same wattage as the original bulb.(15 watts only) If you cannot locate this size bulb locally, contact Danby's toll free number 1-800-26-DANBY.



WE RESERVE THE RIGHT TO ALTER THE SPECIFICATIONS WITH NO INFLUENCE ON THE OPERATION OF THE APPLIANCE.

Le tout Réfrigérateur

Nous sommes reconnaissants de votre achat d'un appareil Danby de l'année designer. Nous espérons qu'il vous remplira vos exigences pendant plusieurs années.

Ce réfrigérateur est pour l'utilisation domestique seulement et doit être utilisé pour le rangement des aliments frais à la température supérieure à 0°C/32°F.

Prier à la mise en marche initiale	16	Utilisation	21
Directives d'utilisation		Rangement des aliments frais	
Nous prenons soins de l'environnement		Soins et entretien	22
Truc pour la conservation de l'énergie		Décongélation automatique du réfrigérateur	
Important	17	Comment nettoyer l'appareil	
Comment se défaire des vieux appareils		Arrêter l'appareil lorsqu'il n'est pas utiliser	
Position et installation	18	Changement de direction de l'ouverture de porte ..	23
Choisir le bon emplacement		En cas de problème	24
Positionnement de l'appareil		Pour remplacer la lampe	25
Raccord à l'alimentation électrique			
Description de l'appareil	19		
Description des commandes	20		
Choix de la température			

SAUVEGARDEZ CES INSTRUCTIONS

Prieur à la mise en marche

- Laisser reposer le réfrigérateur pendant 2 heures avant de le brancher à l'alimentation électrique. Ceci réduit la possibilité de problèmes du système de refroidissement causés par la manutention durant le transport.
- Nettoyer complètement l'appareil, spécifiquement l'intérieur (Voir la section de Soins et entretien).
- Dans les cas où les accessoires à l'intérieur de l'appareil ne sont pas en bonne position, placez-les de nouveau selon la 'Description de l'appareil'.
- Les couches de glace et de gèle augmentent la consommation énergétique. Nettoyez alors l'appareil aussitôt que la couche atteint de 3 à 5 mm.
- Si le joint étanche est endommagé ou si l'étanchéité de la porte est insuffisante, la consommation énergétique est beaucoup plus élevée. Pour rétablir l'énergie, remplacez le joint étanche.
- Prenez toujours notes des directives données dans la section 'Position et trucs pour la conservation énergétique', autrement la consommation est bien plus élevée.

Directives d'utilisation

Ces directives sont pour l'utilisateur. Elles décrivent l'appareil et les procédés appropriés pour le fonctionnement sécuritaire.

SAUVEGARDEZ CES INSTRUCTIONS

NOUS PRENONS SOINS DE L'ENVIRONNEMENT

- Nos produits sont sécuritaires pour l'environnement. Pour ce bât, les matières individuelles d'emballage sont bien étiquetées.
- Ces instructions sont imprimées soit sur du papier recyclé, soit sur du papier sans javellisant.
- Lorsque votre appareil est finalement trop vieux, veuillez ne pas endommager l'environnement: Appelez votre agent régional de service. (Voir Comment se défaire d'un vieil appareil).

Truc pour la conservation de l'énergie

- Essayer de ne pas ouvrir la porte trop souvent, spécifiquement lorsqu'il fait chaud et humide. Une fois la porte est ouverte, fermez-la aussitôt que possible. Ceci est très important si vous possédez un modèle vertical.
- De temps à autre, vérifiez que l'appareil a une ventilation suffisante (une circulation d'air adéquate à l'arrière de l'appareil).
- Réglez le thermostat de la position plus haute à une plus basse aussitôt que possible (selon la charge d'aliments, la température ambiante, etc.)
- Avant de ranger les aliments frais dans l'appareil, il faut s'assurer qu'ils sont à la température ambiante (à l'exception des soupes).

Important

- Si vous avez acheté cet appareil pour remplacer un vieil appareil équipé d'une serrure de porte qui ne s'ouvre pas de l'intérieur (verrou), ce verrou doit être enlevé, mis hors fonctionnement ou détruit avant de se défaire de l'appareil. Ceci empêche la possibilité qu'un enfant s'embarre accidentellement à l'intérieur de l'appareil et prévient l'asphyxie.
- L'appareil doit être correctement raccordé à l'alimentation de puissance. (Voir : Raccord à l'alimentation d'électricité).
- Si les denrées ont une odeur ou couleur étrange, jetez-les car elles sont sûrement pourries et ne doivent pas être consommées.
- Débranchez toujours l'appareil de l'alimentation de puissance avant de le nettoyer, de remplacer la lampe et/ou pour accomplir l'entretien.
PRÉCAUTION: les réparations doivent être accomplies seulement par un technicien qualifié.
- Ne jamais décongeler l'appareil à l'aide d'autres appareils électriques (tels que les sècheurs à cheveux) et ne grattez/enlevez pas la glace/givre à l'aide d'un instrument coupant. Utilisez seulement les outils fournis par le fabricant.
- Le système de réfrigération de l'appareil contient un réfrigérant et de l'huile. Si l'appareil est endommagé, maniez-le avec soins et débarrassez-vous de l'appareil en suivant les directives de protection de l'environnement. (Voir: Nous prenons soins de l'environnement).
- La plaque signalétique qui contient les numéros de série et de modèle, ainsi que les données techniques de l'appareil, se trouve soit à l'intérieur de l'appareil ou sur la paroi arrière à l'extérieur de l'appareil.
- Le système de réfrigération de votre appareil contient un réfrigérant et des matières d'isolation qui devraient être traitées séparément. Téléphonnez votre représentant régional de service ou un centre de service spécialisé. Si vous ne pouvez pas en trouver un, consultez les autorités régionales ou votre distributeur. Prenez soins de ne pas endommager les serpentins qui se trouvent sur le mur arrière de l'appareil (danger de pollution).

PRÉCAUTION IMPORTANTE

Un réfrigérateur vide est une attraction dangereuse aux enfants. Enlever les joints étanches, les loquets, les couvercles ou les portes des appareils qui ne sont pas utilisés, ou faites de soit que l'appareil ne présente aucun danger.

DANGER: Risque des enfants deviennent coincés dans l'appareil

Avant de jeter votre ancien réfrigérateur ou congélateur:

- Enlevez les portes
- Laissez les clayettes à leurs places afin que des enfants ne puissent pas monter facilement dans l'appareil.

N'ATTENDEZ PAS! FAITES-LE IMMÉDIATEMENT!

Pour se défaire des vieux appareils

- Lorsque vous devez enfin vous défaire de votre vieil appareil, faites-le d'une façon sécuritaire qui ne causera pas de dommage. Si l'appareil est équipé d'une serrure de porte qui ne s'ouvre pas de l'intérieur (verrou), ce verrou doit être enlevé, mis hors fonctionnement ou détruit avant de se défaire de l'appareil. Ceci empêche la possibilité qu'un enfant s'embarre accidentellement à l'intérieur de l'appareil et prévient l'asphyxie.

Position et Installation

CHOISIR LE BON EMBLACEMENT

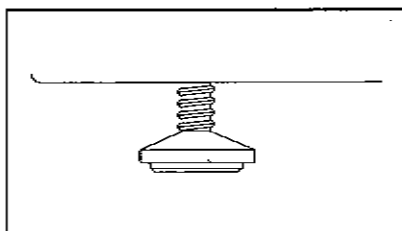
Situer l'appareil dans un endroit sec et à bonne circulation d'air. Ne jamais positionner l'appareil proche d'un générateur de chaleur (ex. Appareil de cuisson, radiateurs, chauffe eau, ou autres appareils semblables) et jamais exposer l'appareil au rayon direct du soleil.

L'appareil doit être situé à au moins 3 cm d'un appareil de cuisson au gaz ou électrique et au moins 30 cm des fours à mazout ou au charbon. Si ceci est impossible, utilisez un dispositif approprié d'isolation.

L'espace libre à l'arrière de l'appareil devrait être d'une largeur d'au moins 200 cm² et celle entre l'appareil et les armoires au-dessus devrait être au moins 5 cm pour assurer une ventilation adéquate.

INSTALLATION

Situer l'appareil sur une base solide. Certains appareils ont des pattes avant réglables, utilisez-les pour mettre l'appareil à niveau.



PRÉCAUTION

Consignes de sécurité au sujet du risque d'incendie, de choc électrique, ou blessures corporelles.

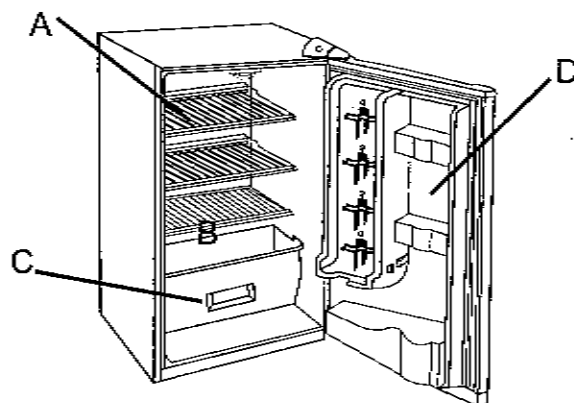
INSTRUCTIONS DE MISE À LA TERRE

Pour votre sécurité, cet appareil doit être mis à la terre. En cas de mauvais fonctionnement ou de pannes, la mise à la terre réduit le risque de choc électrique en fournissant une échappatoire au courant électrique. L'appareil est muni d'un cordon électrique comprenant un fil de mise à la terre et une fiche de terre. Brancher la fiche dans une prise de courant correctement installée et mise à la terre selon les normes et codes régionaux. Consulter un électricien ou un technicien qualifié si vous ne comprenez pas les instructions de mise à la terre ou si vous avez un doute quelconque sur la bonne mise à la terre de l'appareil.

RACCORD À L'ALIMENTATION ÉLECTRIQUE

Brancher le cordon d'alimentation de l'appareil à une prise de courant murale correctement mise à la terre. La tension nominale et la fréquence exigées sont indiquées sur la plaque de classification de l'appareil (à l'intérieur de l'appareil ou sur le caisson au dos de l'appareil).

Description de l'appareil



DAR440W/BL

(A) En Porte à faux

(Le nombre et le type de tablettes dépendent du modèle)
La tablette peut être située sur les guides à l'intérieur de l'appareil selon votre goût. Elle est dotée d'un dispositif sécuritaire qui empêche que la tablette soit glissée et déplacée. Si vous voulez enlever la tablette, soulevez-la légèrement par le devant et retirez-la. Les aliments périssables devraient ranger vers l'arrière du réfrigérateur. (C'est-à-dire, la section plus froide de la tablette.)

(B) Bouche d'écoulement d'eau de dégivrage

L'intérieur du réfrigérateur est refroidi par une plaque de refroidissement installé dans la paroi du fond du réfrigérateur. Sous la plaque se trouve une rainure et une bouche pour l'eau de dégivrage.

Vérifier régulièrement cette bouche de dégivrage et la rainure contre toute obstruction. Elles doivent toujours être propres et libres de toutes particules d'aliments. Si la bouche est bloquée, nettoyez-la à l'aide d'une paille en plastique.

(D) Paroi de porte

La paroi de porte contient des clayettes en porte-à-faux pour le rangement des œufs, fromages, beurres et yaourt ainsi que plusieurs autres petits contenants, tubes, cannettes, etc. La clayette inférieure est utilisée pour le rangement de grosses bouteilles.

Illumination de l'intérieur du réfrigérateur

La lampe de l'intérieur du réfrigérateur s'allume lorsque la porte est ouverte et s'éteint lorsqu'elle est fermée.

Description des commandes

La température à l'intérieur du réfrigérateur est contrôlée en réglant le cadran du thermostat (Au plafond de l'intérieur du caisson) à la température désirée.

Choix de la température

Pour mettre le réfrigérateur en marche, tournez le cadran du thermostat à la position qui correspond à la température désirée sur le cadran bleu à échelle. Fig. A.

La température du réfrigérateur varie selon la quantité d'aliments rangés dans l'appareil et le nombre de fois que la porte est ouverte.

Pour tourner le cadran à la positions 'OFF', tournez le cadran à '0'. Si le réfrigérateur n'a pas été utilisé pendant un long délai, régler le cadran à la position maximale pendant 2 à 3 heures avant de le régler de nouveau à la température désirée. Si le réfrigérateur ne doit pas être utilisé pendant un long délai, débranchez-le et laissez la porte entre-ouverte. Cette mesure aide à réduire l'accumulation de moisissure sur les parois du réfrigérateur.

- Des changements de température ambiante affectent aussi la température du réfrigérateur. (Choisissez la température appropriée sur le cadran).
- À la position STOP (0), l'appareil ne fonctionne pas, (le système de refroidissement est arrêté) mais l'alimentation de courant continue (la lampe fonctionne lorsque vous ouvrez la porte)
- La température intérieure du réfrigérateur dépend aussi du nombre de fois que la porte est ouverte.

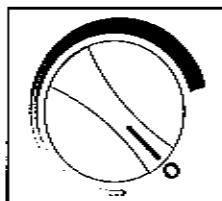


FIG A

Utilisation

Rangement des aliments frais

La qualité des denrées rangées est grandement affectée par l'utilisation appropriée de l'appareil, le bon emballage des aliments, la température appropriée, et les bonnes mesures hygiéniques.

- Les aliments qui doivent être ranger dans le réfrigérateur devraient être bien emballés pour empêcher des variantes d'humidité et d'odeurs (utilisez les sacs ou feuille en polyéthylène, les feuilles d'acier ou cirés, les contenants couverts ou bouteilles).
- Avant de ranger les denrées dans le réfrigérateur, enlevez l'emballage supplémentaire (comme les boîtes de contenants individuels de yaourt).
- Rangez les aliments systématiquement en s'assurant qu'ils ne se touchent pas car les odeurs peuvent se répandre. Il faut s'assurer qu'il y aura une circulation adéquate autour des emballages.
- Ne jamais ranger de matières inflammables, volatiles ou explosibles.
- Les breuvages qui contiennent un haut pourcentage d'alcool doivent être rangés en position verticale dans des bouteilles scellées.
- Les denrées ne doivent pas toucher la paroi arrière du réfrigérateur.
- Les aliments doivent être à la température ambiante avant de les ranger dans le réfrigérateur.
- Les aliments croustillants et délicats doivent être ranger dans la section la plus froide du réfrigérateur.
- Essayez de ne pas ouvrir la porte trop souvent.
- Réglez le thermostat à un niveau où les plus basses températures sont atteintes.
- Réglez le thermostat graduellement pour ne pas surgeler les denrées. À l'aide d'un thermomètre, mesurez la température de chaque compartiment. Déposez le thermomètre dans un récipient en verre rempli d'eau. La température indiquée est plus fiable quelques heures après que le thermomètre repose dans le réfrigérateur à une température constante.
- Quelques solutions organiques comme les huiles volatiles qui se trouvent dans la peau de citron ou d'orange, les acides contenues dans le beurre, etc. peuvent endommager les surfaces en plastique ou les joints étanches qu'ils touchent pendant des longues durées.
- Les odeurs désagréables provenant du réfrigérateur indiquent qu'ils s'y trouvent des aliments pourris ou que le réfrigérateur doit être nettoyer. Les odeurs déplaisantes peuvent être éliminées ou réduites en lavant l'intérieur du réfrigérateur avec une solution douce d'eau et de vinaigre. Nous recommandons aussi l'utilisation des filtres de charbon activé pour nettoyer l'air ou pour arrêter les odeurs.
- Si vous planifier une longue absence, assurez-vous d'enlever les denrées périssables du réfrigérateur avant de partir.

Soins et entretiens

Dégivrage automatique du réfrigérateur

Il n'est pas nécessaire de dégivrer le réfrigérateur car la glace qui est déposée sur la paroi arrière est automatiquement dégivrée.

L'accumulation de glace sur l'intérieur de la paroi arrière durant le fonctionnement du compresseur (une fois le compresseur arrêté) se décongèlera automatiquement. L'eau de décongélation s'accumule à l'intérieur du drain en passant par la bouche d'écoulement qui se trouve dans la paroi arrière vers le bac d'écoulement situé au-dessus du compresseur. De là l'eau s'évapore.

Comment nettoyer l'appareil

Débrancher l'appareil du courant électrique avant d'accomplir le nettoyage.

Il ne faut pas utiliser de nettoyeurs puissants ou abrasifs qui peuvent endommager la surface.

Nettoyer l'extérieur au savon et à l'eau.

Enlever les accessoires amovibles de l'intérieur de l'appareil et nettoyer à l'eau et détergent liquide doux.

Les pièces en plastiques peuvent être lavées au lave-vaisselle.

Laver l'intérieur de l'appareil à l'eau tiède et 2 cuillères à thé de vinaigre.

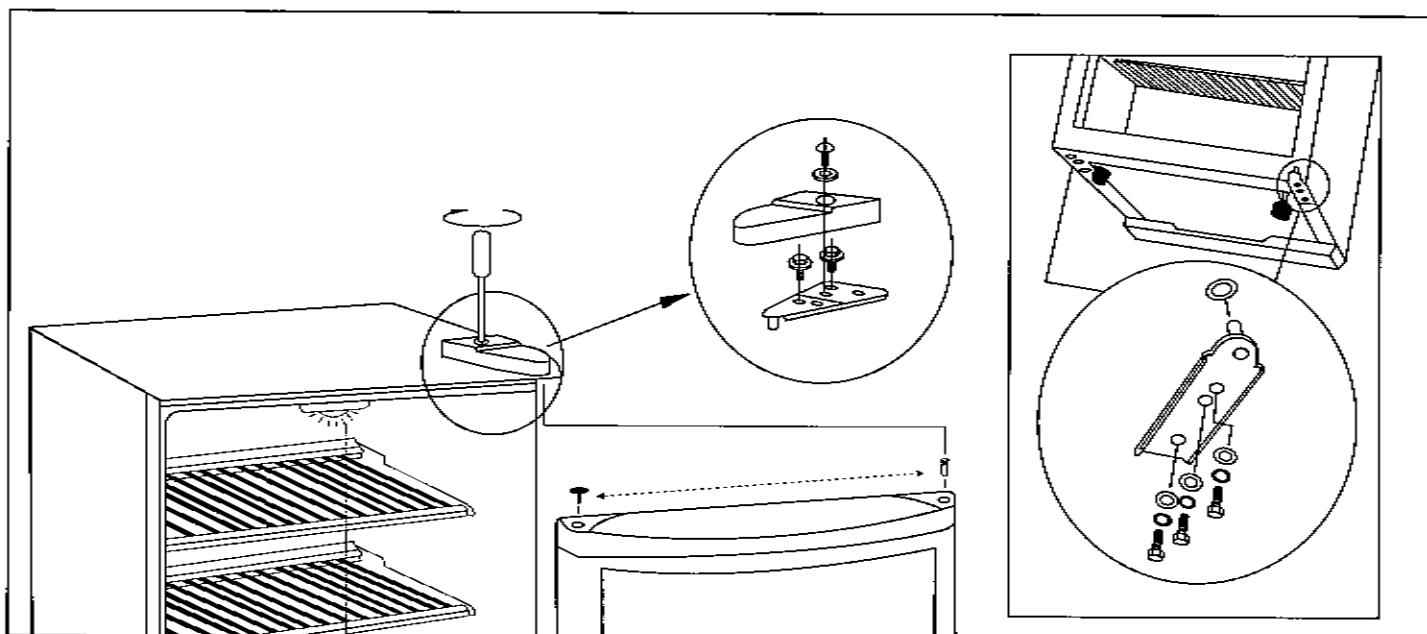
Brancher l'appareil de nouveau après le nettoyage.

Arrêter l'appareil lorsqu'il n'est pas utilisé

Si vous ne devez pas utiliser l'appareil pendant un long délai, (vacances) régler le cadran du thermostat à la position STOP (0), débranchez-le de la prise de courant, enlevez les aliments, décongelez et nettoyez l'appareil. Laissez la porte entre-ouverte.

Changement de direction de l'ouverture de porte

Si vous trouvez que la direction de l'ouverture de la porte de votre réfrigérateur est inconvenue, elle peut être changée. Des trous qui se trouvent sur le côté opposé de la porte ont été percés à l'usine.



En cas de problème

Souvent, le problème est mineur et n'exige pas un appel de service. Le problème peut être occasionné par une mauvaise maintenance et/ou installation de l'appareil. Utilisez ce guide pour vous aider à identifier, à trouver la cause et des solutions au problème. Si l'appareil ne fonctionne toujours pas, appelez votre agent de service régional pour de plus amples renseignements.

Une fois branchée à la prise de courant, l'appareil ne fonctionne pas

- Le cordon d'alimentation n'est pas bien branché
- La source du courant électrique est défectueuse (fusible/coupe circuit)
- L'appareil est mis en marche? (Le cadran du thermostat est à la position de fonctionnement)

Le système de refroidissement ne cesse pas de fonctionner

- La porte est souvent ouverte et elle reste ouverte pendant longtemps
- La porte n'est pas bien fermée (elle penche, le joint étanche est sale ou endommagé)
- L'appareil peut être surchargé avec trop d'aliments
- Il n'y a peut-être pas suffisamment de ventilation pour le compresseur (vérifier la circulation d'air)

Formation de glace sur la paroi arrière

Il suffit que l'eau de décongélation coule dans la rainure et à travers la bouche et vers le bac d'écoulement du compresseur pour que la décongélation automatique de l'appareil se produise. Dans les cas où il se trouve de la glace sur la paroi arrière en excès de 3 à 5 cm, la décongélation devrait se faire à la main.

Régler le thermostat à la position **STOP (0)** et laissez la porte ouverte. Ne jamais utiliser des appareils électriques pour la décongélation, et ne jamais gratter la glace ou la couche de givre avec des dispositifs coupants.

Lorsque la décongélation est complétée, tournez le cadran à la position désirée et fermez la porte du réfrigérateur. La cause de la formation excessive de glace peut être une des suivantes: la porte n'est pas suffisamment étanche (nettoyez le joint étanche s'il

est sale, ou remplacez-le s'il est endommagé);

- la porte est souvent ouverte, et trop longtemps;
- les aliments rangés dans le réfrigérateur étaient trop chauds;
- des aliments ou récipients touchent la paroi arrière du réfrigérateur

De l'eau s'écoule du réfrigérateur

Si la bouche d'écoulement est bloquée, ou si l'eau de dégivrage s'égoutte par-dessus la rainure, de l'eau s'écoulera du réfrigérateur.

- Nettoyer la bouche bloquée à l'aide d'une paille en plastique
- Décongeler à la main la couche de glace. Voir 'Formation de glace sur la paroi arrière'.

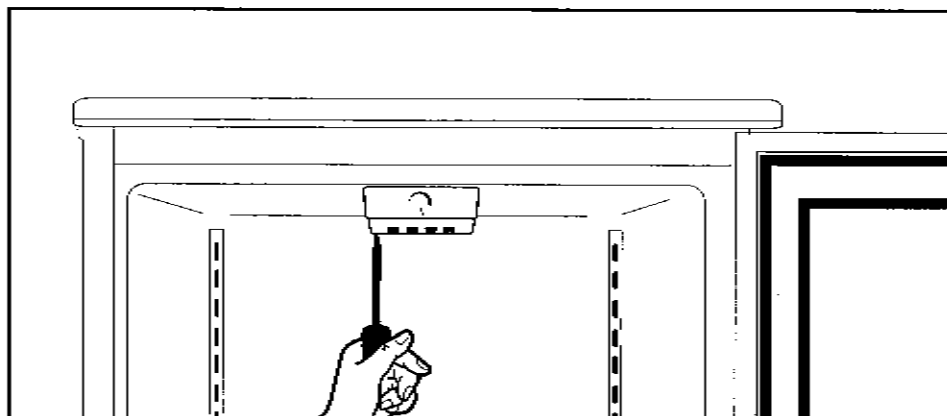
Bruit

Le refroidissement dans un appareil réfrigérateur/congélateur est accompli par un système de réfrigération à l'aide d'un compresseur qui produit certains niveaux de bruit. Le niveau de bruit de l'appareil dépend de sa position, son utilisation et de son âge.

- Durant le fonctionnement du compresseur, le bruit du liquide peut être entendu. Lorsque le compresseur ne fonctionne pas, le son de la circulation du liquide de réfrigération est entendu. Celle-ci est une condition de fonctionnement normale et n'affecte aucunement la durée de vie de l'appareil.
- Une fois que l'appareil est mis en marche, le fonctionnement du compresseur et la circulation du liquide réfrigérant peuvent être plus bruyants. Ceci ne veut pas dire qu'il y a un problème de fonctionnement et ne change pas la durée de vie de l'appareil. Le bruit se réduit graduellement.
- Des bruits exceptionnels et plus forts sont entendus. Ces bruits sont souvent occasionnés par une installation inadéquate de l'appareil.
- L'appareil doit être à niveau et installé sur une surface/un plancher solide.
- Il ne doit pas toucher le mur ou les armoires de cuisine à côté de l'appareil.
- Vérifiez les accessoires à l'intérieur de l'appareil. Ils doivent être correctement installés en bonne position. Vérifiez aussi les bouteilles, cannettes et autres récipients qui peuvent s'entrechoquer ou causer des vibrations si elles se touchent.

Pour remplacer la lampe

Avant de remplacer la lampe intérieure, débranchez l'appareil de l'alimentation de puissance. À l'aide d'un tournevis à tête cruciforme, dévissez la vis située sur le côté gauche (centre) du couvercle de la lampe. Tirez le couvercle vers le bas. Remplacez la lampe avec une de la même intensité que la lampe originale (15 watts seulement). Si une lampe de cette intensité n'est pas disponible dans votre région, téléphonez le numéro sans frais de Danby: 1-800-26-DANBY.



**NOUS RÉSERVONS LE DROIT DE MODIFIER LES
SPÉCIFICATIONS QUI N'ONT AUCUNE INFLUENCE SUR LE
FONCTIONNEMENT DE L'APPAREIL.**

Todo Refrigeradora

Gracias por comprar este artefacto eléctrico Danby Designer. Esperamos que satisfaga exitosamente sus requerimientos durante muchos años.

Esta refrigeradora es sólo para uso doméstico y almacenar alimentos frescos a temperaturas superiores a 0°C / 32°F.

GUARDE ESTAS INSTRUCCIONES

Antes de comenzar a usarla	30	Uso	35
Instrucciones de uso		Almacenamiento de alimentos frescos	
Nos preocupamos por el medio ambiente		Mantenimiento y limpieza	36
Consejos para ahorrar energía		Descongelación automática de la refrigeradora	
Importante	31	Limpieza del artefacto eléctrico	
Eliminación de los artefactos eléctricos agotados		Desconexión del artefacto eléctrico cuando no lo usa.	
Ubicación e instalación	32	Cambio de dirección de la	
Elección del lugar correcto		apertura de la puerta	37
Ubicación del artefacto eléctrico autónomo		Guía de solución de averías	38
Conexión a la fuente de energía eléctrica		Cambio de la bombilla	39
Descripción del artefacto eléctrico . . .	33		
Controles de operación	34		
Selección de la temperatura			

Antes de comenzar a usarla

- Antes de conectar el artefacto eléctrico a la fuente de energía eléctrica, déjelo reposar durante dos horas. Esto reducirá la posibilidad de malos funcionamientos en el sistema de enfriado debido a la manipulación para su transporte.
- Limpie bien el artefacto eléctrico, especialmente en el interior (Consulte la sección: Limpieza y Mantenimiento).
- En caso de que los accesorios internos no estuvieran correctamente colocados, colóquelos de la forma que se describe en el capítulo "Descripción del artefacto eléctrico".
- Antes de cargar la refrigeradora con envases de alimentos frescos, asegúrese de que estén a temperatura ambiente (excluyendo las sopas).
- Las capas de hielo y escarcha aumentan con el consumo de energía, por lo tanto debe limpiar la refrigeradora cuando la capa de escarcha sea de 3-5 mm de espesor.
- Si el burlete o el cierre hermético es deficiente, el consumo de energía es sustancialmente mayor. Para restablecer la eficiencia, reemplace el burlete.
- Siempre tenga en cuenta las instrucciones que se detallan en las secciones: "Consejos para ahorrar electricidad y ubicación", pues de otra manera el consumo de energía será considerablemente mayor

Instrucciones de uso

Estas instrucciones de uso están hechas para el usuario. Las mismas describen al artefacto eléctrico y al correcto funcionamiento para utilizarlo en forma segura.

GUARDE ESTAS INSTRUCCIONES:

Nos preocupamos por el medio ambiente

- Nuestros productos utilizan materiales de embalaje ecológicos que pueden reciclarse o eliminarse de forma que no dañen el medio ambiente. Con este fin, cada uno de los materiales de embalaje está claramente marcado.
- Estas instrucciones están impresas en papel reciclado o papel sin contenido de cloro.
- Cuando su artefacto eléctrico se desgaste, trate de no sobrecargar el medio ambiente con él, llame al agente de servicio autorizado más cercano. (Consulte la sección: Eliminación de artefactos eléctricos agotados).

Consejos para ahorrar energía

- Trate de no abrir la puerta muy seguido, especialmente cuando el tiempo esté caluroso y húmedo. Cuando abra la puerta, ciérrela lo antes posible. Este consejo es especialmente importante si tiene un modelo vertical.
- De vez en cuando revise que el artefacto eléctrico cuente con la suficiente ventilación (adecuada circulación de aire detrás del artefacto).
- Fije el termostato desde las posiciones más altas a las más bajas en el menor tiempo posible (esto depende de cuán cargada esté la refrigeradora, la temperatura ambiente, etc.).

Importante

- Si ha comprado este artefacto eléctrico para reemplazar otro equipado con un seguro de puerta que no puede abrirse desde adentro (seguro, pestillo) asegúrese de retirar, inutilizar o destruir el cerrojo antes de deshacerse de la refrigeradora. Esto evitará que los niños puedan quedar accidentalmente atrapados dentro de ésta y asfixiarse.
- El artefacto eléctrico debe estar conectado a la fuente de energía eléctrica. (Consulte la sección: Conexión a la fuente de energía eléctrica).
- Si los alimentos tuvieran un olor o color fuera de lo normal, arrójelos a la basura ya que es muy probable que estén en malas condiciones y por lo tanto sean peligrosos si se consumieran.
- Siempre desconecte el artefacto eléctrico del tomacorriente antes de limpiarlo, reemplazar la bombilla y/o realizar alguna reparación. **ADVERTENCIA:** Las reparaciones deben realizarlas sólo el personal de mantenimiento calificado.
- No descongele la refrigeradora con otro artefacto eléctrico (por ejemplo un secador de cabellos) ni trate de raspar o quitar hielo o escarcha con objetos afilados. Sólo utilice las herramientas que se suministran o las herramientas recomendadas por el fabricante.
- El sistema de refrigeración del artefacto eléctrico tiene refrigerante y aceite, por lo tanto cuando se dañe el artefacto eléctrico, manipúlelo con cuidado y deshágase de él según las normas de protección del medio ambiente. (Consulte la sección: Nos preocupamos por el medio ambiente).
- La placa de calificación que contiene el No. de modelo/No. de serie y otros datos técnicos específicos de esta unidad, está ubicada en el interior del artefacto eléctrico o en el exterior, sobre la pared posterior.
- El sistema de refrigeración del artefacto eléctrico está lleno de sustancias refrigerantes y aislantes que deben ser tratadas y procesadas por separado. Llame al agente del servicio autorizado más cercano a su domicilio o centro de servicio especializado. Si no puede localizar uno, comuníquese con las autoridades locales o con su distribuidor. Tenga cuidado de no dañar los tubos en la pared posterior del artefacto eléctrico (peligro de contaminación).

ADVERTENCIA IMPORTANTE:

Un refrigerador vacío es una atracción muy peligrosa para los niños. Saque todas las juntas, pestillos, tapas o la puerta de todo electrodoméstico que no esté en uso, o tome alguna medida para asegurar que no presente peligro.

¡ PELIGRO !

Peligro de atrapar los niños en la unidad

Antes de desechar su antiguo refrigerador o congelador:

- quite las puertas
- Deje las tablas en sus lugares exactos a fin de que los niños no pusieran subir fácilmente a la unidad.

¡NO ESPERE, HÁGALO AHORA MISMO!

Eliminación de los artefactos eléctricos agotados

- Cuando su artefacto eléctrico ya esté agotado, deshágase de él en forma segura y que no sea dañina. Si el artefacto eléctrico está equipado con un cerrojo en la puerta que no puede abrirse desde adentro (cerrojo, pestillo) asegúrese de sacar el cerrojo, inutilizarlo o destruirlo antes de deshacerse de él. Esto evitará que los niños puedan quedar accidentalmente atrapados dentro de ésta y asfixiarse.

Ubicación e instalación

Elección del lugar correcto

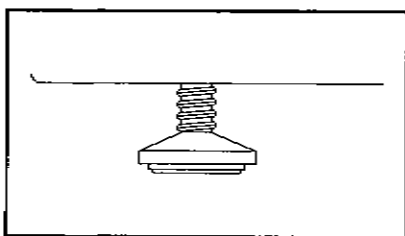
Coloque el artefacto eléctrico en una habitación seca y que se ventile con regularidad. Nunca coloque el artefacto eléctrico cerca de aparatos emisores de calor (por ejemplo: cocinas, radiadores, calentadores de agua o aparatos similares) y no lo exponga a la luz solar directa.

Se debe ubicar el artefacto eléctrico a 3 cm por lo menos, de cocinas eléctricas o de gas y por lo menos a 30 cm. de cocinas que funcionan con petróleo o carbón. Si no fuera posible, use una barrera aislante apropiada.

Detrás de cada artefacto eléctrico debe haber un espacio libre de por lo menos 200 cm² de ancho y los armarios sobre el artefacto eléctrico deben estar a por lo menos 5 cm. del mismo para asegurar la ventilación adecuada.

Instalación

Coloque el artefacto eléctrico firmemente sobre una base sólida. Algunos artefactos eléctricos tienen patas graduables en la parte de adelante, utilícelas para nivelar el artefacto eléctrico.



Advertencia

Instrucciones correspondientes al riesgo de incendio, choque eléctrico o lesiones a las personas.

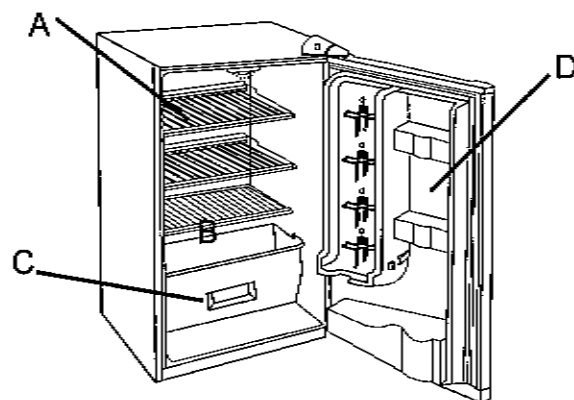
Instrucciones de puesta a tierra

Para su seguridad personal, este artefacto eléctrico debe estar puesto a tierra. En el caso de un mal funcionamiento o avería, la puesta a tierra reducirá el riesgo de choque eléctrico brindando un paso de menor resistencia a la corriente eléctrica. Este artefacto eléctrico está equipado con un cordón eléctrico que tiene un conductor de puesta a tierra del equipo y un enchufe con puesta a tierra. El enchufe debe conectarse en un tomacorriente instalado y puesto a tierra según los códigos y ordenanzas locales vigentes. Consulte a un electricista calificado o a una persona que realiza mantenimiento si no entiende claramente las instrucciones sobre la puesta a tierra o si existiera alguna duda sobre si el artefacto eléctrico está puesto a tierra en forma correcta.

Conexión a la fuente de energía eléctrica

Conecte el cordón eléctrico del artefacto eléctrico y enchúfelo en un tomacorriente que esté puesto a tierra. El voltaje nominal requerido y la frecuencia se indican en la placa de calificación (dentro de la unidad o en el exterior, en la pared posterior de la unidad).

Descripción del artefacto eléctrico



DAR440W/BL

(A) (La cantidad y tipo de anaqueles depende del modelo)

El anaquel puede colocarse en forma opcional en las guías del interior del artefacto eléctrico. Éste está protegido contra la posibilidad de que se salga accidentalmente. Si quiere sacar un anaquel, levante ligeramente la parte frontal y tire hacia fuera. Los alimentos percederos se deben almacenar en la parte posterior de los anaqueles. (Es decir, en la parte más fría del anaquel).

(B) Salida para el agua descongelada

El interior de la refrigeradora es enfriado con una placa de refrigeración montada sobre la pared posterior. Debajo de la placa hay un canal y una salida para el agua descongelada.

Controle con regularidad que la salida del agua descongelada ni el canal de drenaje estén bloqueados. Siempre deben estar libres y limpios sin obstrucción de partículas de alimentos. Si el drenaje de salida se bloqueara, utilice una pajita plástica para limpiarlo.

(D) Recubrimiento de la puerta

El recubrimiento de la puerta está compuesto de varios anaqueles o cubetas que se utilizan para guardar huevos, queso, manteca y yogur así como otros envases pequeños, tubos, latas, etc.

El anaquel inferior se utiliza para guardar botellas grandes.

Iluminación en el interior de la refrigeradora

La luz para iluminar el interior de la refrigeradora se enciende cuando se abre la puerta y se apaga cuando ésta se cierra.

Controles de operación

La temperatura de la refrigeradora se controla ajustando la perilla del termostato, (en el techo de la caja) al punto deseado.

Selección de la temperatura

Para encender la refrigeradora, gire la perilla de control de la temperatura a la posición correspondiente a la refrigeración deseada. (En el disco graduado de color azul).

Fig. A

La temperatura de la refrigeradora variará de acuerdo a la cantidad de alimento que se almacene y la frecuencia con la que se abre la puerta.

Para girar el control a la posición "Off" (apagado), gire la perilla de control a la posición "0". Si no se ha utilizado la refrigeradora durante algún tiempo, coloque el control en máximo durante 2-3 horas antes de colocarlo en la temperatura deseada. Si no utiliza la refrigeradora por períodos prolongados, desconecte el enchufe y deje la

puerta parcialmente abierta. Esto reducirá la acumulación de moho en el interior de la refrigeradora.

- Los cambios en la temperatura ambiente afectan la temperatura interna de la refrigeradora. (Elija la posición correcta de la perilla del termostato).
- En la posición "Stop" (Detenida) (0) el artefacto eléctrico no funciona (el sistema de refrigeración está apagado), aun así la electricidad no se ha interrumpido (la luz está encendida, cuando usted abre la puerta de la refrigeradora).
- La temperatura en la refrigeradora depende además de la frecuencia con que se abre la puerta.

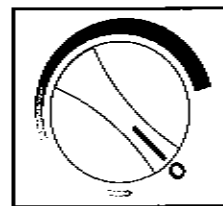


FIG A

Almacenamiento de alimentos frescos

El uso correcto del artefacto eléctrico, el adecuado envasado de los alimentos, la temperatura correcta y tener en cuenta las precauciones de higiene, influirán sustancialmente en la calidad de los alimentos almacenados.

- Los alimentos que se almacenen en la refrigeradora deben estar envueltos en forma adecuada para evitar la mezcla de humedad y olores diferentes (en bolsas u hojas de polietileno, papel de aluminio, papel de cera o se deben colocar en envases cerrado o botellas).
- Antes de guardar alimentos en la refrigeradora, quite los embalajes adicionales (como el yogur en varios envases).
- Empaquete en forma sistemática y asegúrese de que los alimentos no se toquen entre sí (se pueden mezclar los olores). Asegúrese de que haya adecuada circulación de aire entre los paquetes.
- Nunca almacene sustancias inflamables, volátiles o explosivas.
- Las bebidas con alto contenido de alcohol deben guardarse en botellas bien cerradas en posición vertical.
- Los alimentos no deben tocar la pared posterior de la refrigeradora.
- Se debe dejar enfriar los alimentos antes de guardarlos.
- Los alimentos más frescos y delicados deben guardarse en las partes más frías de la refrigeradora.
- Trate de no abrir la refrigeradora muy frecuentemente.
- Fije el termostato en una posición en donde se alcancen las temperaturas más bajas. Fije el termostato en forma gradual para evitar que se congelen los alimentos. Con un termómetro mida la temperatura en los compartimentos individuales. Coloque el termostato en un recipiente de vidrio lleno con agua. La lectura de la temperatura son más confiables unas horas después de alcanzar una condición estable.
- Algunas soluciones orgánicas como aceites volátiles en la cáscara del limón o naranja, el ácido en la manteca, etc. pueden causar daños cuando estén en contacto con las superficies plásticas o burletes durante períodos prolongados.
- Los olores desagradables en el interior de la refrigeradora es una señal de que algo no anda bien con los alimentos o que su refrigeradora necesita limpieza. Los olores desagradables se pueden eliminar o reducir lavando el interior de la refrigeradora con una solución suave de agua y vinagre. Además, recomendamos el uso de filtros de carbón activado para limpiar el aire o para neutralizar los olores.
- Si está planeando un viaje prolongado, asegúrese de retirar todos los artículos perecederos del artefacto eléctrico antes de partir.

Mantenimiento y limpieza

Descongelación automática de la refrigeradora

No hay necesidad de descongelar la refrigeradora ya que el hielo que se deposita en el interior de la pared posterior se descongela automáticamente.

La acumulación de hielo en el interior de la pared posterior durante el funcionamiento del compresor se descongelará automáticamente (cuando el compresor haya finalizado su ciclo). El agua descongelada se acumula dentro del recipiente de drenaje pasando por la salida de drenaje en el interior de la pared posterior dentro de una bandeja de drenaje ubicada sobre el compresor, donde se evapora.

Limpieza del artefacto eléctrico.

Desconecte la electricidad antes de proceder a la limpieza del artefacto.

No use agentes limpiadores gruesos ni abrasivos ya que podría dañar la superficie.

Limpie el exterior con agua y detergente.

Retire los accesorios desmontables del interior de la refrigeradora y limpie con agua y detergente líquido. Las piezas plásticas no se pueden lavar en lavaplatos.

Lave el interior del artefacto con agua tibia con una o dos cucharadas de vinagre.

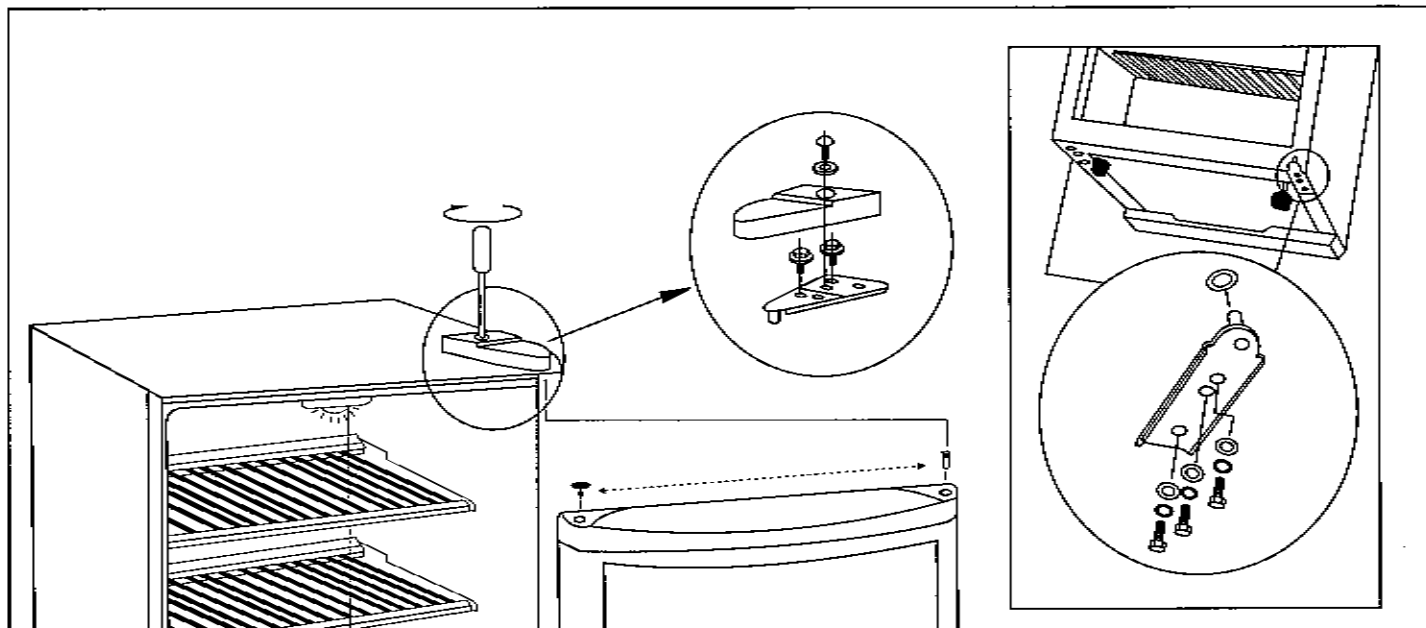
Después de la limpieza conecte el artefacto a la fuente de energía eléctrica y vuelva a cargarlo.

Desconexión del artefacto eléctrico cuando no lo usa

Si no utilizará el artefacto durante períodos prolongados (vacaciones), coloque la perilla del termostato en la posición "Stop"(0) (Apagado), desconecte la electricidad, saque todos los alimentos y descongele y limpie la refrigeradora. Deje la puerta entreabierta.

Cambio de la dirección de apertura de la puerta (vaivén)

Si la dirección de apertura de la puerta le resultara incómoda, puede cambiarla.
Se han preparado en fábrica los orificios en el lado opuesto.



Guía de solución de averías

En algunas oportunidades se encontrará con problemas menores que en la mayoría de los casos no necesitan que llame al servicio de reparación y que pueden resolverse fácilmente.

El origen del problema puede haber sido el manipuleo y/o la instalación incorrecta del artefacto.

Sírvase consultar la guía de solución de averías que se detalla a continuación para ayudarlo a identificar la posible causa y solución del problema. Si el problema persistiera después de completar el control, comuníquese con el agente de mantenimiento autorizado más cercano a su domicilio y solicite ayuda.

El artefacto no funciona después de conectar la electricidad

- Controle que el cordón de energía esté conectado correctamente.
- Controle que haya energía eléctrica en el tomacorriente (fusible quemado / disyuntor)
- Asegúrese de que el artefacto esté encendido (la perilla del termostato en posición de funcionamiento).

Funcionamiento continuo del sistema de refrigeración

- La puerta se abre muy frecuentemente o se deja abierta durante mucho tiempo.
- La puerta no está bien cerrada (la puerta puede combarse, el burlete puede estar dañado o sucio).
- Tal vez haya sobrecargado la refrigeradora con alimentos frescos.
- El motivo puede ser ventilación inadecuada del compresor. (Asegúrese de que haya una adecuada circulación de aire).

Formación de hielo en el interior de la pared posterior

Mientras el agua descongelada corra hacia el canal y a través de la salida a la bandeja de drenaje sobre el compresor la descongelación automática del artefacto está asegurada.

En caso de que aumente la formación de hielo en el interior de la pared posterior (3-5 mm), el hielo debe retirarse en forma manual.

Ponga la perilla del termostato en la posición "Stop"(0) (Detenido) y deje la puerta abierta. Nunca use artefactos eléctricos para descongelar y no raspe la capa de hielo o escarcha con objetos con filo.

Una vez que se haya descongelado, gire la perilla a la posición deseada y cierre la puerta de la refrigeradora. La

causa del aumento de la formación de hielo puede ser una de las siguientes:

- la puerta no se cierra bien (limpie el burlete si estuviera sucio o reemplácelo si estuviera dañado);
- la puerta se abre frecuentemente o se deja abierta durante mucho tiempo;
- los alimentos que se guardaron en el refrigerador estaban calientes; Los alimentos o el plato tocan el interior de la pared posterior.

Gotea agua de la refrigeradora

En caso de que la salida de agua estuviera tapada, goteara agua sobre el canal, o hubiera una fuga de agua de la refrigeradora.

- Limpie la salida tapada con una pajita plástica.
- Descongele manualmente la capa de hielo. Lea la sección: "Formación de hielo en el interior de la pared posterior".

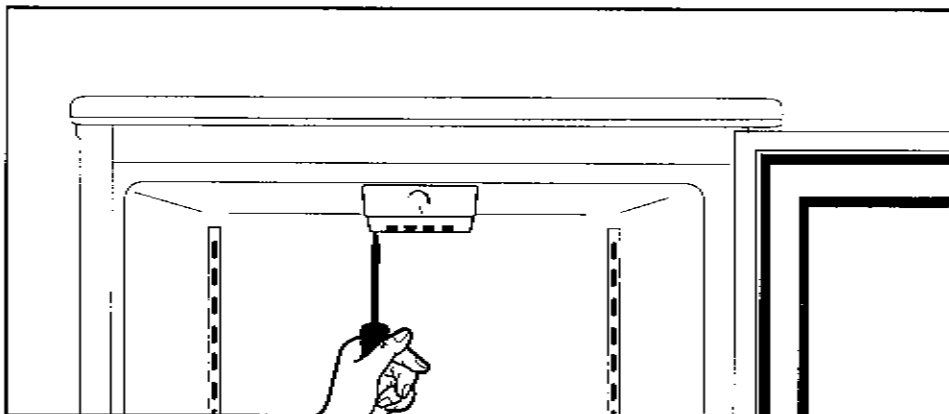
Ruido

La refrigeración en un artefacto de refrigeración/congelación es posible gracias a un sistema de refrigeración que utiliza un compresor que produce determinados niveles de ruido. El ruido que produce el artefacto eléctrico depende de dónde esté ubicado, cómo se utiliza y la antigüedad del mismo.

- **Durante el funcionamiento** del compresor se escucha el ruido de líquido y cuando no funciona se escucha el flujo del refrigerante. Este es el estado normal y no afecta de ninguna forma la vida útil del artefacto.
- **Después de encender el artefacto**, el funcionamiento del compresor y el flujo del refrigerante pueden ser más audibles lo que no significa que está sucediendo algo malo con el artefacto y no afecta de ninguna forma la vida útil de artefacto. El nivel de ruido se reduce gradualmente.
- En algunas oportunidades se escucha un ruido más fuerte e inusual. Este ruido es generalmente la consecuencia de la instalación inadecuada.
 - El artefacto debe estar nivelado e instalado sobre una base/un piso firme.
 - No debe estar en contacto con las paredes o muebles de cocina.
 - Controle los accesorios en el interior de la refrigeradora, deben estar correctamente colocados en sus lugares, además, controle que las botellas, latas y otros envases no se toquen causando ruidos y/o vibraciones.

Cambio de la bombilla

Antes de reemplazar la bombilla desconecte el artefacto eléctrico de la fuente de energía eléctrica. Quite los tornillos ubicados en el lado izquierdo (centro) de la tapa de la luz. Tire la tapa hacia abajo. La bombilla nueva debe tener el mismo voltaje que la bombilla original. (15 vatios solamente). Si no encontrara una bombilla de este tamaño en su localidad, comuníquese con Danby al número de llamada gratuita 1-800-26-DANBY



**NOS RESERVAMOS EL DERECHO DE MODIFICAR LAS
ESPECIFICACIONES QUE NO AFECTAN EL FUNCIONAMIENTO
DEL ARTEFACTO.**

Danby[®]
Designer

Model • Modèle • Modelo

**DAR440BL
DAR440W**

For service, contact
your nearest service depot or call:

1-800-26-Danby
to recommend a depot in
your area.

Pour obtenir le service, consultez
votre succursale régionale de service
ou téléphonez:

1-800-26-Danby
qui vous recommandera un
centre régional.

Para servicio, comuníquese con su
Departamento de Servicios más
cercano o llame al:

1-800-26-Danby
para que le recomienden un
Departamento de Servicios
en su zona.

COMPACT REFRIGERATORS

The model number of your compact refrigerator is found on the serial plate located on the back, top left-hand corner of the refrigerator.

All repair parts available for purchase or special order when you visit your nearest service depot. To request service and/or the location of the service depot nearest you, call the toll free number listed to the left in Canada and the U.S.

When requesting service or ordering parts, always provide the following information:

- Appliance
- Model Number
- Part Number
- Part Description

RÉFRIGÉRATEUR COMPACT

Le numéro de modèle de votre réfrigérateur compact se trouve sur la plaque d'identification qui se trouve sur le coin du haut gauche de l'arrière du réfrigérateur.

Toutes les pièces de rechange sont disponibles immédiatement ou peuvent être commandées de votre Centre de Service régional. Pour obtenir le service et/ou le Centre de Service le plus proche, téléphonez le numéro sans-frais indiqué à gauche pour le Canada et les États-Unis.

Ayez les informations suivantes à la portée de la main lors de la commande de pièces ou service:

- Appareil
- Numéro de modèle
- Numéro de pièce
- Description de la pièce

REFRIGERADOR COMPACTO

El número del modelo de su refrigerador compacto se encuentra en la placa de serie ubicada en el ángulo posterior superior izquierdo del refrigerador.

Todas las piezas de repuesto se encuentran disponibles la para compra o por pedido especial cuando Ud. visite su departamento de servicio más cercano. Para solicitar servicio y/o la ubicación del departamento de servicio más cercano, llame al número de marcando gratis que aparece a la izquierda en el Canadá y en los E.U.

Cuando solicite servicio o encargue repuestos, siempre proporcione la siguiente información:

- Aparato
- Número de modelo
- Número del repuesto
- Descripción del repuesto

Danby Products Limited, PO Box 1778, Ontario, Canada N1H 6Z9
Danby Products Inc., PO Box 669, Findlay, Ohio, USA 45839-0669