

## OWNER'S MANUAL

## MANUEL DE L'UTILISATEUR

### Model • Modèle 3.3SM4R

#### CAUTION:

Read and follow all safety rules and operating instructions before first use of this product.

#### PRÉCAUTION:

Veillez lire attentivement les consignes de sécurité et les instructions d'utilisation avant l'utilisation initiale de ce produit.



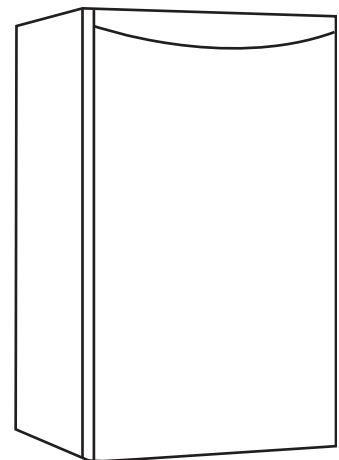
#### ALL REFRIGERATORS

• Before Putting Into Use .....	2
• Important .....	2
• Placing and Installation.....	3
• Refrigerator bracket & Microwave installation .....	4
• Description of the Appliance.....	5
• Operation Control .....	6
• Maintenance and Cleaning .....	7
• Changing the Direction of opening the Door .....	8
• Trouble Shooting Guide .....	9
• Bulb Replacement .....	10
• WARRANTY .....	11

#### LES TOUT RÉFRIGÉRATEURS

• Avant la mise en marche .....	13
• Important .....	13
• Placement et installation .....	14
• Support du réfrigérateur et installation du micro-ondes .....	15
• Description de l'appareil .....	16
• Contrôle du fonctionnement .....	17
• Entretien et nettoyage .....	18
• Changer le sens d'ouverture de la porte .....	19
• Guide de dépannage .....	20
• Changer l'ampoule .....	21
• GARANTIE .....	22

### 3.3SM4R



# All Refrigerators

---

This Refrigerator is for domestic use only and is intended for storing fresh foods at temperatures higher than 0° / 32°F.

## SAVE THESE INSTRUCTIONS

<b>Before Putting Into Use</b> .....	<b>2</b>	<b>Maintenance and Cleaning</b> .....	<b>7</b>
Instructions for Use		Automatic Defrosting of the Refrigerator	
Tips for Energy Savings		Cleaning the Appliance	
<b>Important</b> .....	<b>2</b>	Switch Off the Appliance When Not In Use	
<b>Placing and Installation</b> .....	<b>3</b>	<b>Changing the Direction of the</b>	
Choosing the Right Place		<b>Door Opening (swing)</b> .....	<b>8</b>
Placing the Self-standing Appliance		<b>Trouble-Shooting Guide</b> .....	<b>9</b>
Connection to Power Supply		<b>Bulb Replacement</b> .....	<b>10</b>
<b>Refrigerator bracket &amp; Microwave</b>		<b>Warranty</b> .....	<b>11</b>
<b>Installation</b> .....	<b>4</b>		
<b>Description of the Appliance</b> .....	<b>5</b>		
<b>Operation Control</b> .....	<b>6</b>		
Temperature Selection			

# Before Putting Into Use

---

- Before connecting the appliance to electrical power supply, let it stand for about 2 hours, which will reduce the possibility of malfunctions in the cooling system due to transport handling.
- Clean the appliance thoroughly, especially in the interior (See Cleaning and Maintenance).
- In case the interior accessories are not correctly placed, rearrange them as described in chapter "Description of the Appliance".

## Instructions for Use

These instructions for use are intended for the user. They describe the appliance and correct operating procedures for safe use.

**SAVE THESE INSTRUCTIONS**

## Tips for Energy Savings

- Try not to open the door too often, especially when the weather is hot and humid. Once you open the door, close it as soon as possible. This is especially important if you have an upright model.
- Every now and then check if the appliance is sufficiently ventilated (adequate air circulation behind the appliance).
- Set the thermostat from higher to lower settings as soon as possible (depends on how loaded the appliance is, ambient temperatures, etc.)
- Before loading the appliance with packages of fresh foods, make sure that they are cooled to ambient temperature. (excluding soups).
- Ice and frost layers increase energy consumption, so clean the appliance as soon as the frost layer is 1/8-1/4 inch thick.
- If the gasket is damaged or the door seal is poor, energy consumption is substantially higher. To restore efficiency, replace the gasket.
- Always consider instructions stated in sections Positioning and Energy Saving Tips, otherwise the energy consumption is substantially higher.

## Important

**Read all safety information before using**

---

### **IMPORTANT WARNING!**

An empty refrigerator is a very dangerous attraction to children. Remove the gasket, latches, lids or doors from unused appliances, or take some other action that will guarantee the appliance harmless.

**DANGER: Risk of child entrapment. Before you throw away your old refrigerator:**

- Take off the doors.
- Leave the shelves in place so that children may not easily climb in.

**DON'T WAIT! DO IT NOW!**

### **WARNING! EXPLOSION HAZARD!**

Risk of fire or explosion due to puncturing of refrigerant tubing. Do not use sharp objects to aid in defrost. Please handle with care. Keep flammable materials and vapors such as gasoline away from the refrigerator. Use nonflammable cleaner.

Disposal of this unit should be in accordance with federal and local regulations.

# Important

Read all safety information before using

- The appliance must be properly connected to an electrical power supply. (See: Connection to Power Supply).
- Always disconnect the appliance from the power supply before cleaning the appliance or replacing the light bulb.  
WARNING: repairs should be performed by qualified service personnel only.
- Do not defrost the appliance with other electric appliances (for example a hair dryer) and never attempt to scrape/remove ice/frost with sharp objects.
- The rating plate containing Model No/Serial No and other technical data specific to this unit, is located either inside the appliance or outside on the rear wall.
- The refrigerator system of the appliance is filled with refrigerant and insulating substances which should be separately treated and processed. Call your nearest authorized service agent or specialized servicing center. If you are unable to locate one, contact your local authorities or your distributor. Be careful not to damage the tubes on the rear wall of the appliance (danger of pollution).

Please ensure that component parts shall be replaced with like components and that servicing shall be done by factory authorized service personnel, so as to minimize the risk of possible ignition due to incorrect parts or improper service.

## Placing and Installation

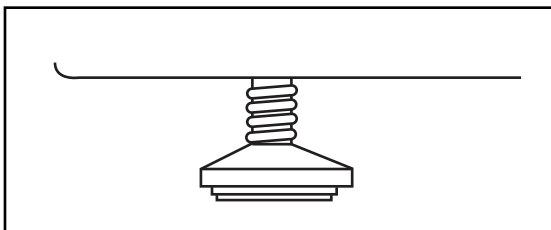
### Choosing the right place

Place the appliance in a dry and regularly ventilated room. Never place the appliance near heat emitting devices (e.g. cooking appliances, radiators, water heaters or similar devices) and do not expose to direct sunlight.

The appliance should be positioned at least 1.2 inches (3 cm) away from electric or gas cooking appliances and at least 12 inches away from oil or coal fired stoves. If this is not possible, use an appropriate insulation barrier.

### Installation

Place the appliance firmly on a solid base. Some appliances have adjustable feet on the front side; use them to level the appliance.



### WARNING

Instructions pertaining to the risk of fire, electric shock, or injury to persons.

### Grounding Instructions

This appliance must be grounded. In the event of an electrical short circuit, grounding reduces the risk of electrical shock by providing an escape wire for the electrical current. This appliance is equipped with a cord having a grounding wire with a grounding plug. The plug must be plugged into an outlet that is properly installed and grounded.

**WARNING** - Improper use of the grounding plug can result in a risk of electric shock. Consult a qualified electrician or serviceman if the grounding instructions are not completely understood, or if doubt exists as to whether the appliance is properly grounded.

### Connection to Power Supply

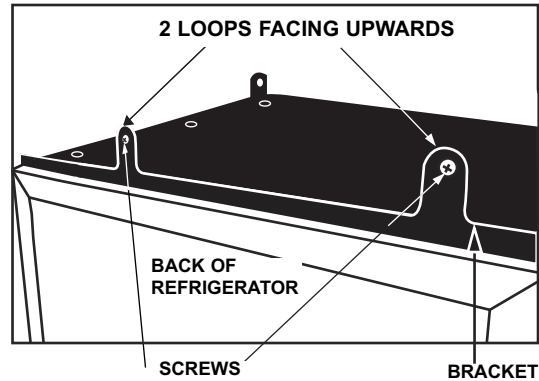
Connect the appliance power cord and plug to a properly grounded wall outlet. The required nominal voltage and frequency are indicated on the rating plate (inside the unit or on the exterior rear wall of the unit).

### DO NOT USE AN EXTENSION CORD

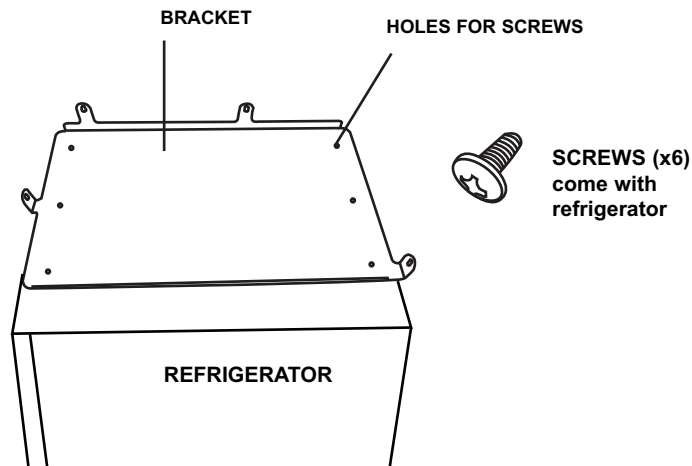
Use an exclusive 115V wall outlet. Do not connect your refrigerator to extension cords or together with any other appliance in the same wall outlet. Do not splice the cord.

## REFRIGERATOR BRACKET & MICROWAVE INSTALLATION

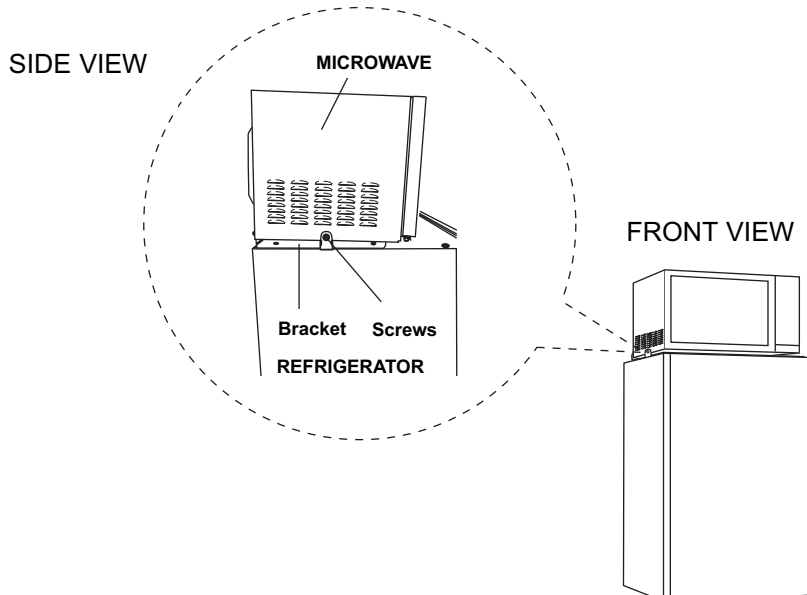
1. Place the bracket on top of the refrigerator with its rear lip with two loops facing upward. The rear lip of the bracket should be lined up with the back edge of the refrigerator, with the two side loops facing up to accept the microwave.



2. With the bracket lined up as stated above the preset holes on top of the refrigerator should be lined up with the holes on the bracket. Attach the bracket to the refrigerator using the six screws that come supplied with the refrigerator.

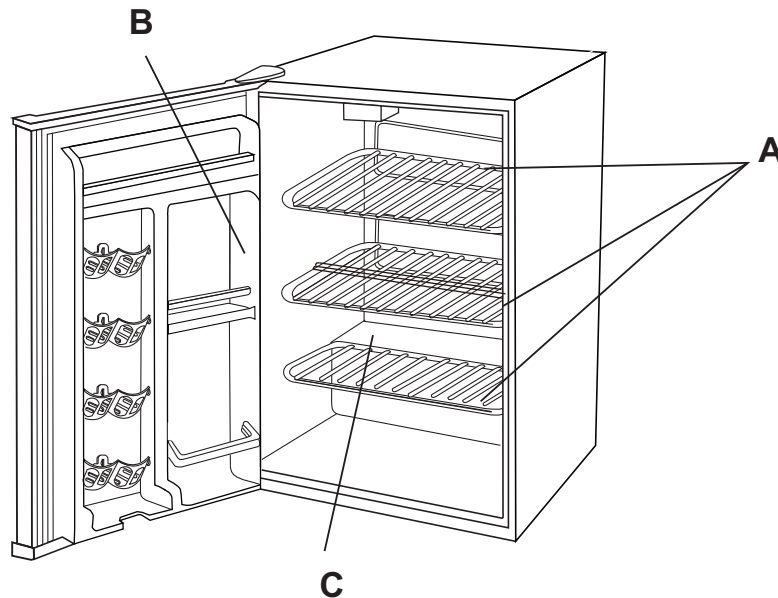


3. Place the microwave oven on top of the refrigerator and inside the two upright loops on the sides and in front of the two upright loops on the back of the bracket. Line up the holes on each side and on the back of the bracket and attach the microwave using the screws supplied. The two back screws come supplied with the refrigerator while the two side screws are already on the microwave. Please remove the two microwave screws prior to placing the microwave oven on top of the refrigerator.



# Description of the Appliance

---



## 3.3SM4R

### (A) Plastic Coated Shelves

Odor resistant, rustproof, and removable for easy cleaning.

### (B) Door Liner

The door liner consists of tall, medium, and large bottles, cans or jars. The canstor door liner holds 355ml cans of pop, juice or beer.

### (C) Defrost Water Outlet

The interior of the refrigerator is cooled with a cooling plate mounted in the rear wall. Under the plate there is a channel and an outlet for defrost water.

Regularly check the defrost water outlet and the drain channel for blockage. They should always be kept free and clean of food particles. If the drain outlet does become clogged, use a plastic straw to clean it.

## Illumination in the Interior Of the Refrigerator

The light for illuminating the interior of the refrigerator is on when the door is opened, off when the door is closed.

# Operation Control

---

The temperature of the refrigerator is controlled by setting thermostat knob to a desired setting.

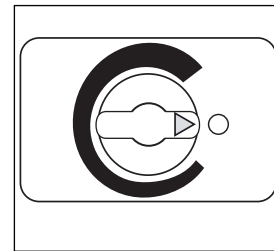
## Temperature Selection

To start the refrigerator, turn the temperature control knob to the position corresponding to the desired cooling (on the graduated blue dial )  
Fig A

The refrigerator temperature will vary depending on the quantity of the food stored and on the frequency with which the door is opened.

To turn the control to the "OFF" position, rotate the control knob to the "0°" position. If the refrigerator has been left out of use for some time, set the control to maximum for 2-3 hours before turning to the desired position. If the refrigerator is not being used for long time periods, disconnect the plug and leave the door partially open. This will help to reduce mold/mildew from accumulating inside the refrigerator cabinet.

- Changes in ambient room temperature will affect internal refrigerator temperatures (choose correct setting of the thermostat knob).
- In STOP (0) position the appliance does not operate (cooling system is switched off), yet power supply is not interrupted (the light is on , when you open the refrigerator door).
- Temperature in the refrigerator also depends on how often the door is opened.



**FIG A**

# Maintenance and Cleaning

---

## Automatic Defrosting of the Refrigerator

There is no need to defrost the refrigerator, because ice depositing on the inner back wall is defrosted automatically.

Ice build-up on the inner back wall during the compressor operation; will (when the compressor has cycled off) defrost automatically. Defrost water collects inside the drain through passing through the drain outlet in the inner back wall into a drain pan situated above the compressor, from where it evaporates.

## Cleaning the Appliance

Disconnect the power bar before cleaning the appliance.

Do not use coarse or aggressive cleaning agents as you can damage the surface.

Clean the exterior with water and detergent. Remove the detachable accessories in the interior of the appliance and clean with water and liquid detergent. Plastic parts cannot be washed in dishwashers.

Wash the interior of the appliance with lukewarm water, adding one or two spoonfuls of vinegar. After cleaning, connect the appliance to power supply and reload it.

## Switch Off the Appliance When Not In Use

If you do not intend to use the appliance for long periods of time, (vacations) set the thermostat knob to the STOP (0) position, disconnect the power supply, take out the foods and defrost and clean the appliance. Leave the door slightly open.

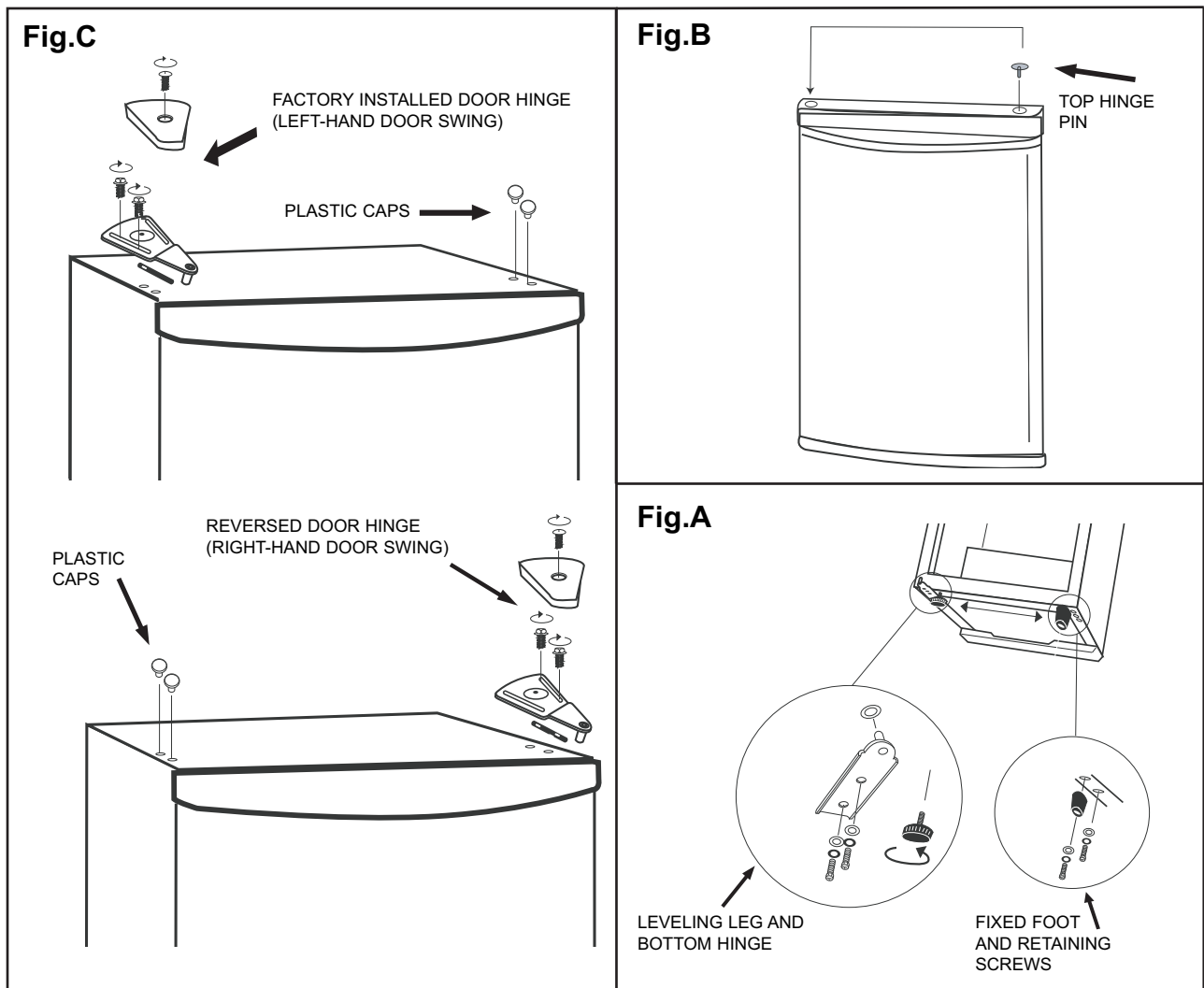


# Changing the Direction of the Door Opening (Swing)

Your refrigerator has a factory-installed left-hand door swing. To avoid personal injury to yourself and/or property, we recommend someone assist you during the door reversal process.

**Tools needed: No. 2 Phillips screwdriver**

1. Remove the upper hinge pin from the right side of the door frame and reinstall it on the left side of the door frame (the previous pin location)(See Fig.B)
2. Remove the plastic cap from the top right-hand side of the cabinet and reinstall on the left side of the cabinet (the previous pin location) (See fig.C)
3. Remove the upper door hinge from the left-hand side of the cabinet and reinstall on the right side of the cabinet (the previous pin location) (See fig.C)
4. Remove the three retaining screws on the bottom right side of the cabinet and reinstall the fixed foot on the left side in the former lower hinge assembly screw positions, remove the leveling leg and bottom hinge (See fig. A)
5. With the door closed, reinstall the lower hinge assembly on the right side of the refrigerator.(See fig. A)
6. Reinstall leveling leg. (See fig. A)



# Trouble-Shooting Guide

---

Sometimes you may come across minor problems that in most cases do not require a service call and can be easily eliminated. The problem may have resulted from improper handling and/or installation of the appliance. Please refer to the below troubleshooting guide to assist you in identifying the possible cause and solution to your problem. Should the problem still persist after completing these checkpoints. Contact the closest authorized service agent in your area for assistance.

## The Appliance Fails to Operate After Connecting to Electrical Power Supply

- Check the power cord is properly connected.
- Check the power supply in the electrical outlet. (blown fuse / circuit breaker)
- Make sure the appliance is switched on. (thermostat knob in operating position)

## Continuous Operation of the Cooling System

- The door is frequently opened or left open for too long.
- The door is not properly closed (the door may sag, the gasket may be damaged).
- Perhaps you may have overloaded the appliance with fresh foods.
- The reason may be inadequate ventilation of the compressor (assure adequate air circulation).

## Ice Formation on the Inner Rear Wall

As long as the defrost water runs to the channel and through the outlet to the drain pan on the compressor, automatic defrosting of the appliance is assured.

In case the ice formation on the inner back wall is increased (1/8 - 1/4 inches), ice should be manually defrosted.

Set the thermostat knob to **STOP (0)** position and leave the door open. Never use electric devices for defrosting and do not scrape the ice or frost layer with sharp objects.

After defrosting is complete, turn the knob to desired position and close the refrigerator door. The cause of increased ice formation may be one of the following: the door does not seal well (clean the gasket if it is dirty, or replace it if it is

- the door is frequently opened or left open too long;
- the food stored in the refrigerator was warm;
- the food or dish is touching the inner back wall.

## Water is Leaking From the Refrigerator

If the discharge water outlet is clogged, or the defrost water drips over the channel, water will leak from the refrigerator.

- Clean the clogged outlet, for example with a plastic straw.
- Manually defrost the increased ice layer. See "Ice Formation on the Inner rear Wall"

## Noise

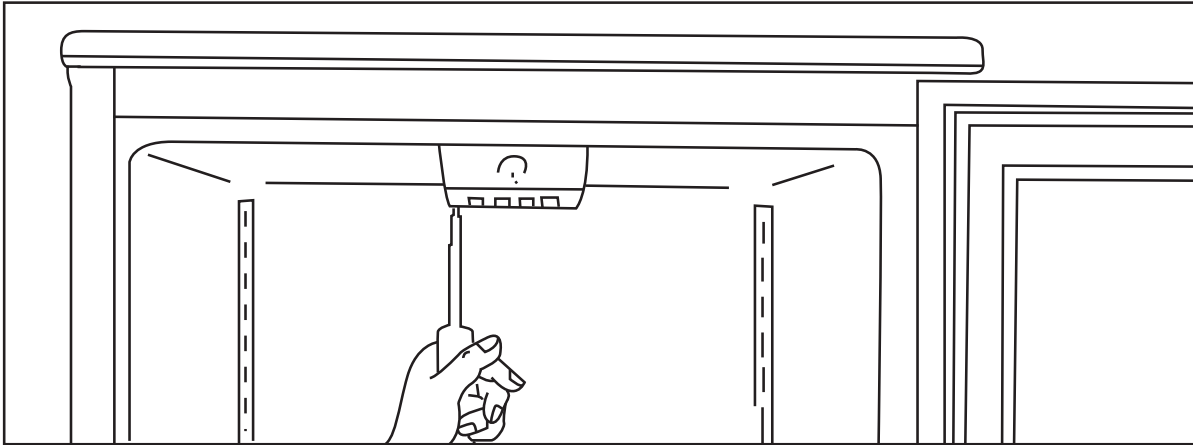
Cooling in a refrigerator-freezing appliance is made possible by cooling the system using a compressor, which will produce certain noise levels. How noisy the appliance is depends on where it is placed.

- **During the operation** of the compressor the noise of the liquid is heard and when the compressor is not operating, the refrigerant flow is heard. This is a normal condition and it has no influence on the lifetime of the appliance.
- **After starting the appliance**, the operation of the compressor and the refrigerant flow may be louder, which does not mean that something is wrong with the appliance and it has no influence on the lifetime of the appliance. Gradually the noise is reduced.
- Sometimes **unusual and louder** noise is heard, which is rather unusual for the appliance. This noise is often a consequence of inadequate installation.
  - The appliance must be level and installed on a firm solid base/floor.
  - It should not touch the wall or kitchen units standing next to it.
  - Check the accessories on the interior of the appliance, they should be placed correctly in their positions; also check, bottles, tins, and other vessels are not touching each other causing rattling and/or vibrations.

# Bulb Replacement

---

Before replacing the light bulb, disconnect the appliance from the power supply. Using a phillips screwdriver, remove the screw located on the left (center) side of the light cover. Pull the light cover straight down. Replacement light bulb must be the same wattage as the original bulb.( 15 watts only)



**snackmate by MicroFridge® , a Product of INTIRION™ Corporation**  
**Microwave Oven and Refrigerator/Freezer Residential Limited Warranty**

INTIRION, a division of Danby Limited, is pleased to provide a comprehensive warranty on these products. INTIRION takes pride in its product and manufacturing standards and warrants its products and parts against defects in materials or workmanship to the original purchaser.

<u>Subassembly</u>	<u>Duration</u>
- Microwave oven and refrigerator/freezer components	1 year

All requests for service should be directed to Customer Service at INTIRION by calling 1-800-637-7567 if you are located in the U.S., and 1-800-263-2629 if you are located in Canada. INTIRION offers a quick response customer service program. Customer Service will diagnose the problem and either promptly replace or repair the unit, at the discretion of INTIRION.

snackmate by MicroFridge® warranty services are performed by **INTIRION authorized** service providers. INTIRION expects prompt, courteous and efficient service. INTIRION further expects that all **authorized service providers** will make every reasonable effort to enhance the image and reputation of INTIRION and its products. Inadequate service or customer dissatisfaction should be promptly reported to INTIRION.

Damage initiated by spark fires caused by using inappropriate material inside the microwave oven is specifically excluded from this warranty. INTIRION assumes no liability and does not guarantee or warrant any repairs and/or replacement parts not supplied or performed by an **authorized service provider**, nor any 50/60 cycle or 60/50 cycle conversions, damage caused by failure to follow the owner’s manual as to adjustments and/or maintenance, customer adjustments that are not covered in the instruction booklet, broken or marred cabinet, misuse, neglect, accident, fire, flood or other acts of nature.

THIS WARRANTY WILL BECOME INVALID IF ANY SERIAL NUMBER ON THE PRODUCT IS ALTERED, REPLACED, DEFACED OR MISSING. THIS WARRANTY IS FOR INTIRION PRODUCTS PURCHASED AND USED IN THE UNITED STATES AND CANADA EXCEPT FOR UNITED STATES POSSESSIONS AND/OR DOMINIONS OF THE UNITED STATES.

This is the entire INTIRION warranty and it may not be changed or amended by any person, agency, distributor, dealer, or company. INTIRION assumes no liability and indeed specifically denies responsibility for any consequential damages beyond the repair or replacement of the product or its components.

The warranty period begins on the date of sale and proof of that date (evidenced by an original sales slip or bill of sale) will be necessary to initiate a warranty claim.

SNACKMATE BY MICROFRIDGE®, A PRODUCT OF INTIRION™ CORPORATION  
 2 Annette Rd Ste 3, Foxborough, MA 02035      1-800-637-7567      U.S. Customers  
 PO Box 1778, Guelph, Ontario, Canada N1H 6Z9      1-800-263-2629      Canada Customers

**For your protection in the event of theft or loss of this product,  
 Please fill in the information below:**

**Model No.** \_\_\_\_\_  
 (Located on rear and inner right wall)

**Serial No.** \_\_\_\_\_  
 (Located on rear and inner right wall)

**Date of Purchase** \_\_\_\_\_

INTIRION CORP.  
 2 Annette Road, Suite 3  
 Foxborough, MA 02035  
 1-800-637-7567

4/14 Printed in China