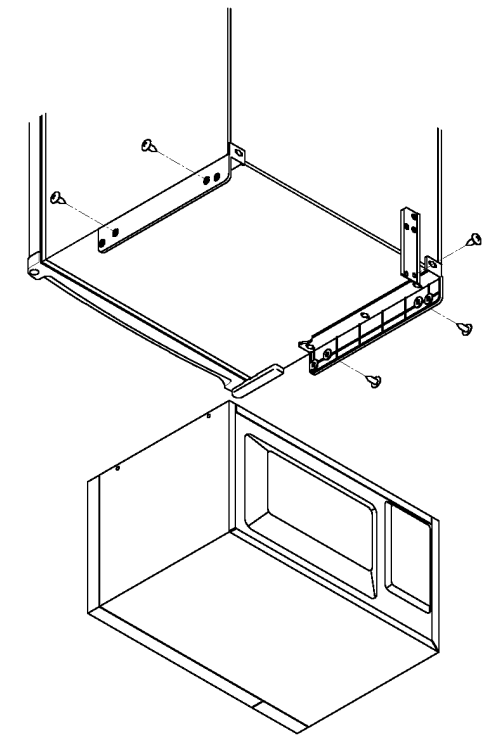


NOTE:
The MicroFridge® with Safe Plug® brand refrigerator and charging outlets will not operate when the oven is on. This is part of the patented MicroFridge® with Safe Plug® technology that prevents wiring overload.
If your oven does not operate properly, unplug it from the 115 volt household outlet and then plug it back in. This unit is not designed for 50 Hz or any circuit other than 115 volt/60Hz AC current.

4. Plug your oven into a standard 115-volt/60Hz household outlet. Be sure the electrical circuit is at least fifteen (15) amperes and that your microwave oven is the only appliance on the circuit.
The MicroFridge® with Safe Plug® combination appliance will now operate with eleven (11) - fifteen (15) amps of current draw.



MicroFridge® with Safe Plug®
Assembly Diagram - Model 2.3MF4R

Installation of Microwave Models

MicroFridge® with Safe Plug®, a Product of INTIRION™ Corporation Microwave Oven and Refrigerator/Freezer Residential Limited Warranty

INTIRION, a division of Danby Limited, is pleased to provide a comprehensive warranty on these products. INTIRION takes pride in its product and manufacturing standards and warrants its products and parts against defects in materials or workmanship to the original purchaser.

Subassembly	Duration
– Microwave oven magnetron	2 years
– Refrigerator/freezer sealed system and compressor	2 years
– Microwave oven and refrigerator/freezer mechanical components	1 year

All requests for service should be directed to Customer Service at INTIRION by calling 1-800-637-7567 if you are located in the U.S., and 1-800-263-2629 if you are located in Canada. INTIRION offers a quick response customer service program. Customer service will diagnose the problem and either replace or the original purchaser will carry-in the appliance to an authorized service provider for repair, at the discretion of INTIRION.

MicroFridge® with Safe Plug® warranty services are performed by INTIRION authorized service providers. INTIRION expects prompt, courteous and efficient service. INTIRION further expects that all authorized service providers will make every reasonable effort to enhance the image and reputation of INTIRION and its products. Inadequate service or customer dissatisfaction should be promptly reported to INTIRION.

Damage initiated by spark fires caused by using inappropriate material inside the microwave oven is specifically excluded from this warranty. INTIRION assumes no liability and does not guarantee or warrant any repairs and/or replacement parts not supplied or performed by an authorized service provider, nor any 50/60 cycle or 60/50 cycle conversions, damage caused by failure to follow the owner's manual as to adjustments and/or maintenance, customer adjustments that are not covered in the instruction booklet, broken or marred cabinet, misuse, neglect, accident, fire, flood or other acts of nature.

THIS WARRANTY WILL BECOME INVALID IF ANY SERIAL NUMBER ON THE PRODUCT IS ALTERED, REPLACED, DEFACED OR MISSING. THIS WARRANTY IS FOR INTIRION PRODUCTS PURCHASED AND USED IN THE UNITED STATES AND CANADA EXCEPT FOR UNITED STATES POSSESSIONS AND/OR DOMINIONS OF THE UNITED STATES.

This is the entire INTIRION warranty and it may not be changed or amended by any person, agency, distributor, dealer, or company. INTIRION assumes no liability and indeed specifically denies responsibility for any consequential damages beyond the repair or replacement of the product or its components.

The warranty period begins on the date of sale and proof of that date (evidenced by an original sales slip or bill of sale) will be necessary to initiate a warranty claim.

MICROFRIDGE® WITH SAFE PLUG® A PRODUCT OF INTIRION CORPORATION, A DIVISION OF DANBY PRODUCTS LIMITED

2 Annette Road, Suite 3, Foxborough, MA 02035 1-800-637-7567 U.S. Customers
PO Box 1778, Guelph, Ontario, Canada N1H 6Z9 1-800-263-2629 Canada Customers

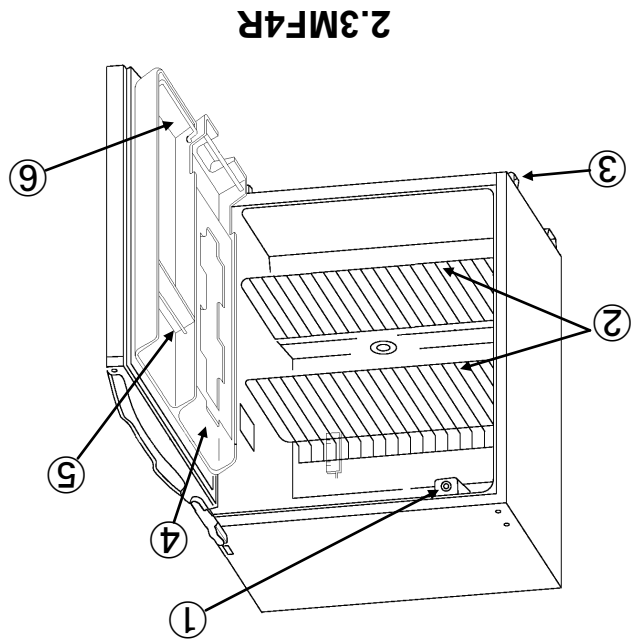
Part No. 8336460121100
PR2460MF*

Printed in Mexico

CAUTION:
Do not operate your refrigerator near flammable materials such as gasoline. Do not use for storage of flammable materials. Your refrigerator must be grounded. Use a 115 volt, 60 Hz outlet. If you are using this refrigerator as part of a MicroFridge® with Safe Plug® combination appliance, you must use the 115 V/60 Hz outlet located on the back of the Microwave Oven in order to take advantage of patented Safe Plug® technology to limit electrical draw. Do not splice cord. Do not use an extension cord.
Use a 3-prong plug with the 3-prong grounded outlet on the Microwave Oven. (This is the only method that complies with the National Electric Code, local codes and ordinances.)
UNLESS THE ABOVE GROUNDING METHOD IS FOLLOWED, YOU ARE NOT PROTECTED AGAINST SEVERE OR LETHAL SHOCK IN THE EVENT OF A SHORT CIRCUIT OF AN ELECTRICAL COMPONENT OR WIRING OF THE REFRIGERATOR.
When you start this refrigerator from the Microwave Oven Power Supply: Do NOT plug in while the Microwave Oven is working. WAIT at least three (3) minutes after using the Microwave Oven before plugging in the refrigerator because the electricity will be cut off during this period.
Consult a qualified electrician if the grounding instructions are not completely understood, or if doubt exists as to whether the appliance is properly grounded.

1. Temperature Control Knob
2. Slide Out Shelves
3. Adjustable Feet
4. Can Dispenser
5. Small Item Rack
6. Bottle Rack

Please ensure that component parts shall be replaced with like components and that servicing shall be done by factory authorized service personnel, so as to minimize the risk of possible ignition due to incorrect parts or improper service.



Parts and Features

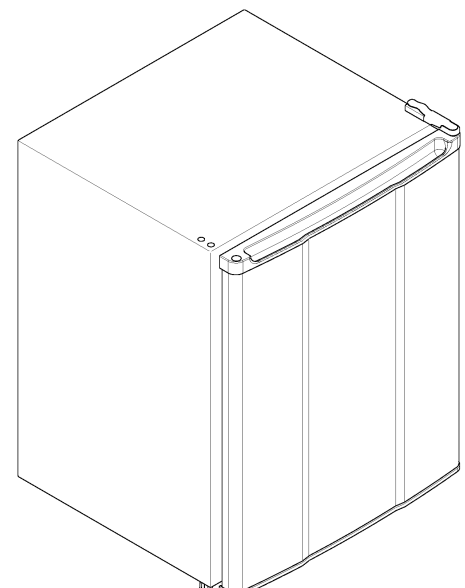
INSTRUCTION MANUAL



2.3MF4R

by INTIRION

REFRIGERATOR



ATTENTION
For your protection in the event of theft or loss of refrigerator, fill in spaces provided below.
Model and Serial Numbers are indicated on the inside right liner of the refrigerator.
MODEL No. _____
SERIAL No. _____

What is Safe Plug® Technology?

MicroFridge® with Safe Plug® combination appliances utilize Safe Plug® technology, a revolutionary, patented design, to conserve electricity and reduce potential fire hazards that can be caused by overloaded circuits. This technology, built into the microwave, works by temporarily shutting off the power to the refrigerator and charging outlets when the microwave is in use. When the microwave is finished, power to the refrigerator and charging outlets resumes. Engineered with unique one-plug-to-the-wall operation, our combination appliances never draw more than 11-15 amps of current.

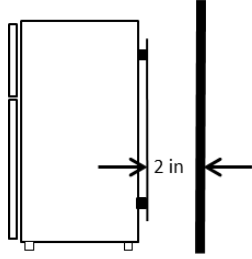
MicroFridge® with Safe Plug® uses patented intelligent load monitoring technology to control the microwave, refrigerator and extra outlets. The two charging outlets are designed to conveniently re-charge smart phones, tablets, laptops or similar low power devices.

IMPORTANT WARNING

An empty refrigerator is a very dangerous attraction to children. Remove the gasket, latches, lids or doors from unused appliances, or take some other action that will guarantee the appliance harmless.
-DANGER: Risk of child entrapment. Before you throw away your old refrigerator:
• Take off the doors.
• Leave the shelves in place so that children may not easily climb in.
DON'T WAIT! DO IT NOW!

Where to Place Your MicroFridge® with Safe Plug®

1. This product is designed for free-standing installation only.
2. Select a location with a strong level floor. If the floor is not quite level, adjust the height of the front legs accordingly. Do not place anything under either one of the front legs or the rear of the unit.
3. A minimum of 2 inches of clearance must be provided between the rear condenser and the wall. Providing greater rear wall clearance when space allows in order to improve air circulation is recommended; in addition, leave unobstructed space above the refrigerator and both sides.
4. Avoid any direct sunlight and heat. Direct sunlight may affect the enamel coating. Heat sources nearby will cause higher electricity consumption.
5. Avoid very moist places. Too much moisture in the air will cause frost to form very quickly on the evaporator and the refrigerator will have to be defrosted more frequently.
6. Your refrigerator is equipped with a three-prong plug and is grounded to eliminate electrical hazards. In order to make it more effective, it must be plugged into a grounded electrical outlet.
7. Plug your refrigerator into the back of the microwave.



Test Run Your Refrigerator

Before using your refrigerator, clean it and test run it to see if it is operating properly. If it is not, then check your electrical source. If you cannot locate the source of the problem, contact your dealer.

1. Set the temperature control knob to the *OFF* position and then plug the AC cord into an electrical outlet of 115 volt, 60Hz. The compressor motor should not run.
2. Set the temperature control knob to the *MAX* position and let the refrigerator operate for 20 minutes. The evaporator should get cold and the motor should run smoothly with a soft hum.
3. Rotate the temperature control knob counter-clockwise toward the *MIN* position. Before the pointer of the temperature control knob reaches the *MIN* position, the compressor motor should turn off.

ATTENTION

If the unit is turned off or unplugged, **YOU MUST ALLOW THREE (3) MINUTES BEFORE RESTARTING OR REPLUGGING THE UNIT.** The unit will not start if you attempt to restart it in less than three (3) minutes.

Defrosting

The cooling unit (evaporator) in the refrigerator compartment is automatically defrosted whenever the compressor motor stops running. No manual control is required.

Cleaning and Maintenance

Your refrigerator does not require any maintenance.

Turn off your refrigerator and remove all food, shelves, trays, etc. Wash the interior liner with a solution of two tablespoons of baking soda and a quart of warm water. Then, rinse and wipe it out. Do not use soaps, detergents, scouring powders, spray cleaners or the like for cleaning the interior liner, as these may cause odors in the refrigerator compartment.

Wash the ice cube trays, drip tray and shelves in a mild detergent solution and dry with a soft cloth.

Wipe the exterior surface with a soft cloth dampened with soapy water and dry it with a soft cloth. Normal appliance spray cleaners may be used for the exterior only.

Use only mild soap and water to clean the door gasket.

Never use acid, chemical thinners, gasoline, benzene or the like to clean any part of the refrigerator. Boiling water and benzene may deform or damage the plastic parts.

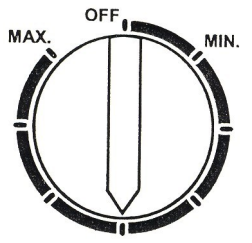


Temperature Control

You can control the temperature inside your refrigerator by turning the temperature control dial. Dialing toward *MAX* means greater cooling power; toward *MIN* means less cooling power. Set the temperature control dial to the middle for optimum refrigeration effects under normal conditions. Set the temperature control dials to *MAX* only when the rapid refrigeration/freezing of foodstuffs in your refrigerator is necessary. Be sure to set it back to the middle later on.

Important

- Do not operate your refrigerator for more than six hours at a stretch with the temperature control dial set to *MAX*.



Before Calling for Service

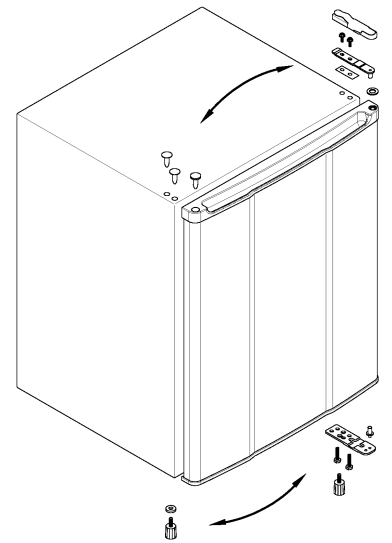
We urge you to read the chart below. If the problem is not caused by defective workmanship or materials, you may be charged for service calls even during the warranty period. Before calling for service, check these few simple points:

Refrigerator not operating	<ul style="list-style-type: none"> • Is the temperature control dial inside the refrigerator set to OFF? • Is the unit unplugged? Be sure! • Is the fuse blown or the circuit breaker tripped?
Storage compartment too warm	<ul style="list-style-type: none"> • Has the door been opened frequently? Is it slightly ajar? • Are the shelves overcrowded? • Have large amounts of warm food been added recently? • Is the temperature control dial set properly?
Excessive noise	<ul style="list-style-type: none"> • Is the refrigerator level? (Try to rock it.) • Are dishes vibrating? • Are there objects behind or on top that are shaking? • Does any part of the refrigerator touch the back or side wall? • When the motor comes on, you may hear popping or cracking sounds as metals expand or contract.
Moisture	<ul style="list-style-type: none"> • Moisture in the storage compartment is normal in humid weather. • Is the door opened frequently? Has the door been left ajar? • Does the door fit properly?

Changing Door Hinge Location

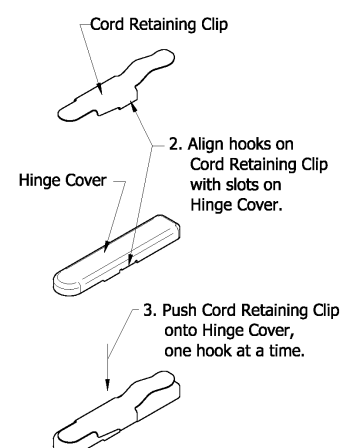
Refer to the disassembly diagram and change the door hinges according to the following steps.

1. Remove the hinge cap by twisting it off.
2. Remove the upper hexagonal head screws.
3. Remove the lower hexagonal head screws and the leg on the hinge side.
4. Remove the other leg.
5. Attach the bottom hinge with the hinge shaft and the leg symmetrically to the other side of the cabinet.
6. Attach the other leg.
7. Remove the two cabinet plug buttons and remount them in the holes from which the screws were removed in step 2.
8. Remove the door plug button using a screwdriver and insert it in the opposite side of the door.
9. Use the screw to attach the upper hinge and the spacer (if there is any). Do not tighten the screw completely. The direction in which the door opens has now been changed; however, the following points should be checked:
 - a. Make sure the door is on straight.
 - b. Make sure there is no space between the door gasket and the refrigerator unit itself when the door is closed.
 - c. Make sure that the gasket on the hinged side is not caught between the door and the unit when the door is opened or closed. (If the door is forced closed when the gasket is caught, the gasket may be damaged).
10. After making sure that the door is installed correctly, tighten all the screws holding the hinges.



Installing the Hinge Clip

1. Remove Cord Retaining Clip from bag.



WARNING:

Do not route high-voltage electrical cords underneath the hinge clip. Only use the clip to cover low-voltage electrical cords.